

7403-K171

# **Integrated CD/DVD ROM**

Kit Instructions



Issue A



---

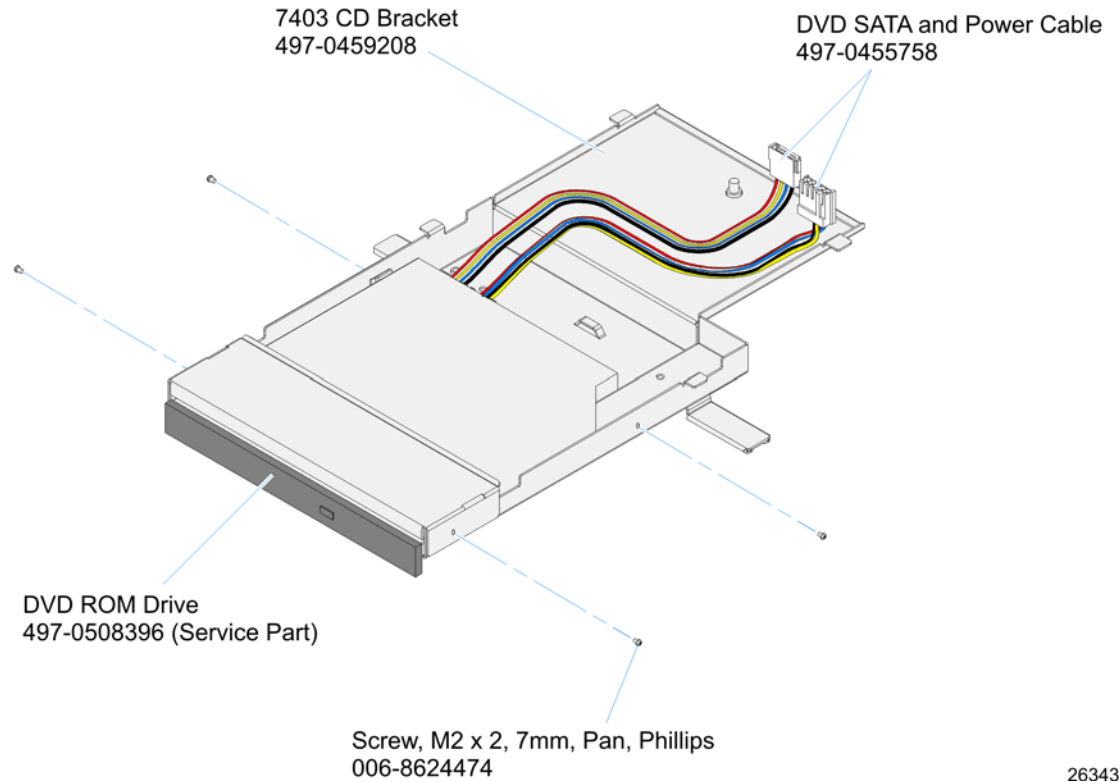
## Revision Record

Issue	Date	Remarks
A	Nov 2008	First issue



# Introduction

This kit adds an Integrated CD/DVD-ROM Drive to the 7403.



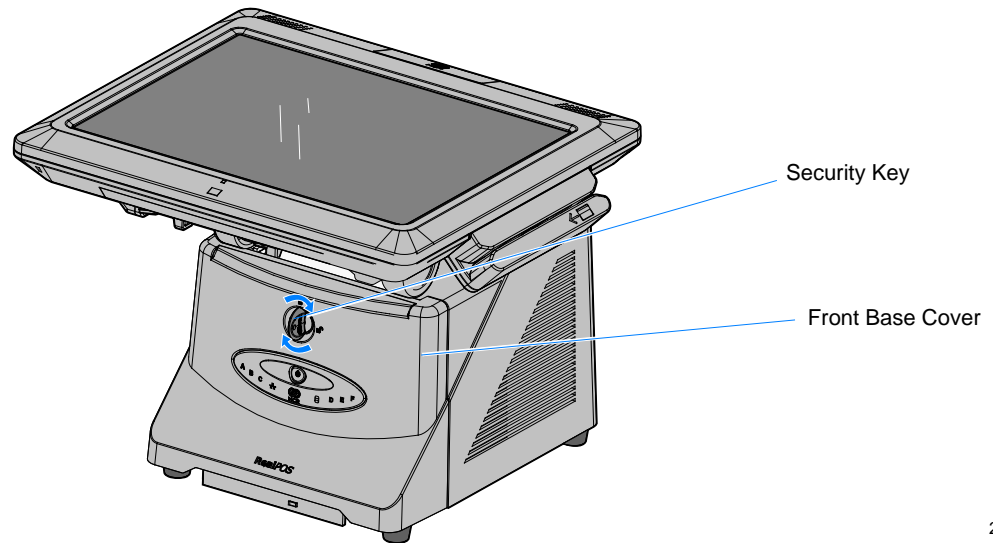
## Installation Procedures

**Caution:** Static Electricity Discharge may permanently damage your system. Discharge any static electricity build up in your body by touching your computer's case for a few seconds. Avoid any contact with internal parts and handle cards only by their external edges.

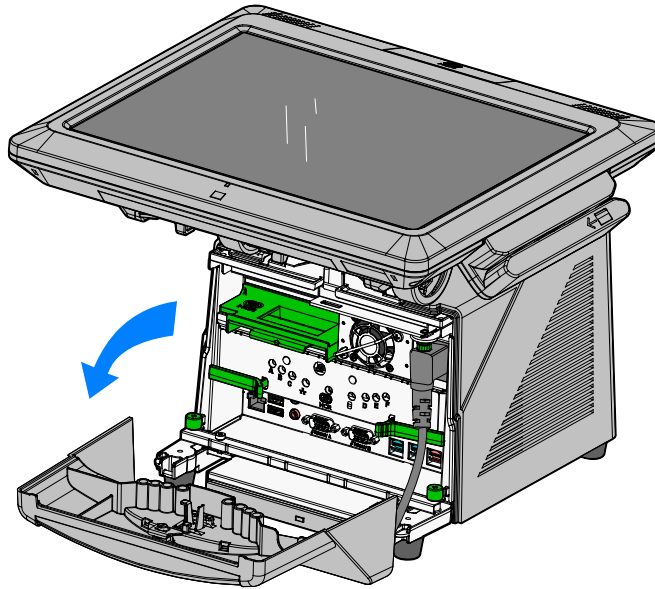
1. Disconnect power to the terminal.

**Caution:** Disconnect the AC power cord before disassembling the terminal. The ON/OFF switch does **NOT** remove power to the unit.

- a. Remove the Front Cover.
- b. Insert the Security Key and turn it 90 degrees clockwise.

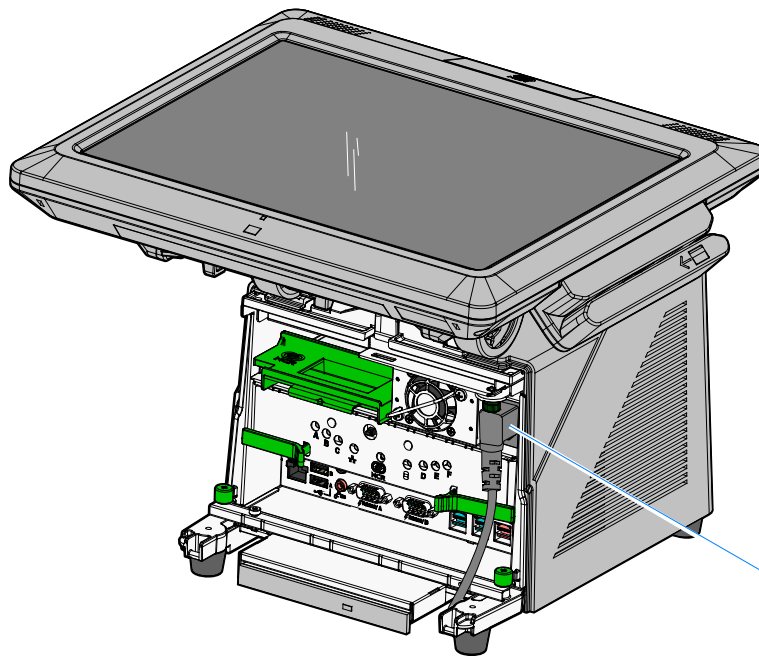


- c. Pivot the top of the Front Base Cover toward the front of the unit and remove it from the terminal.



26032

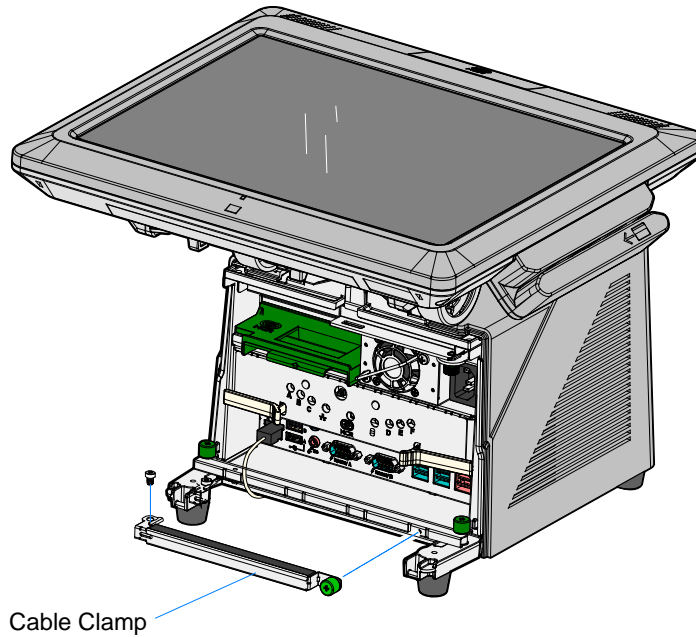
- d. Disconnect the Power Cord from the Power Supply.



AC Power Cord

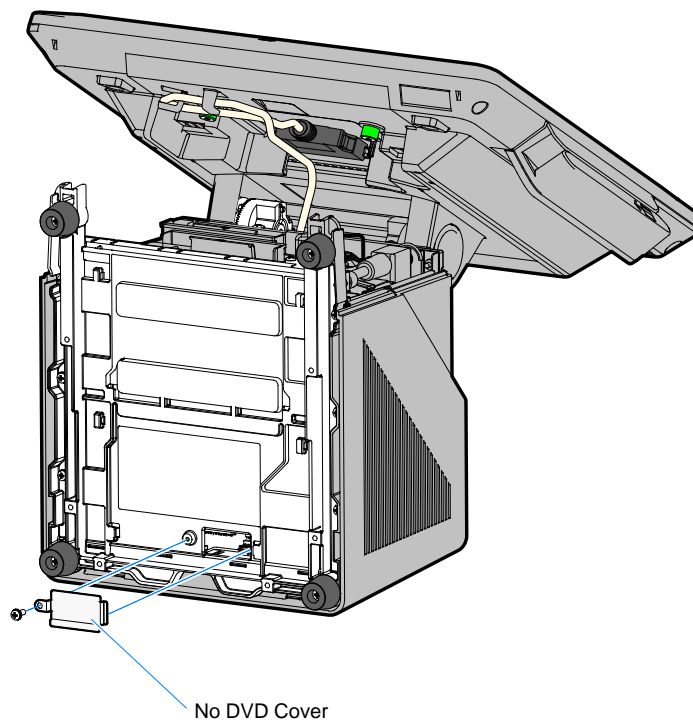
26135

2. Remove the Cable Clamp. This clamp is not used when the DVD is present. Loosen the thumbscrew and remove the screw on the opposite end of the clamp.



26461

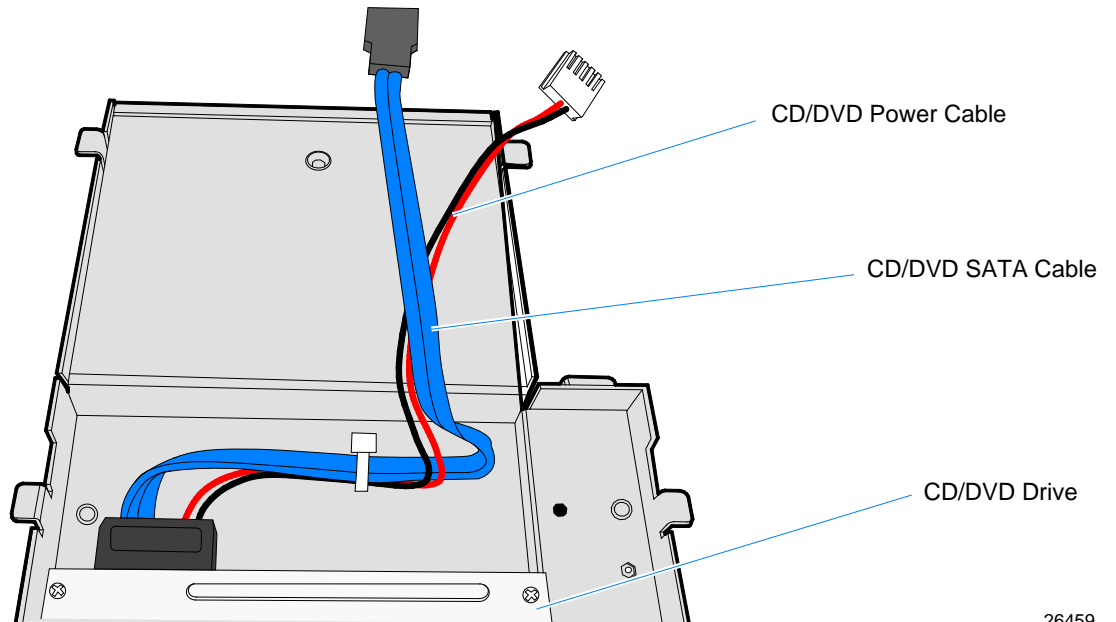
3. Carefully position the terminal on its back.
4. Remove the No DVD Cover (1 screw).



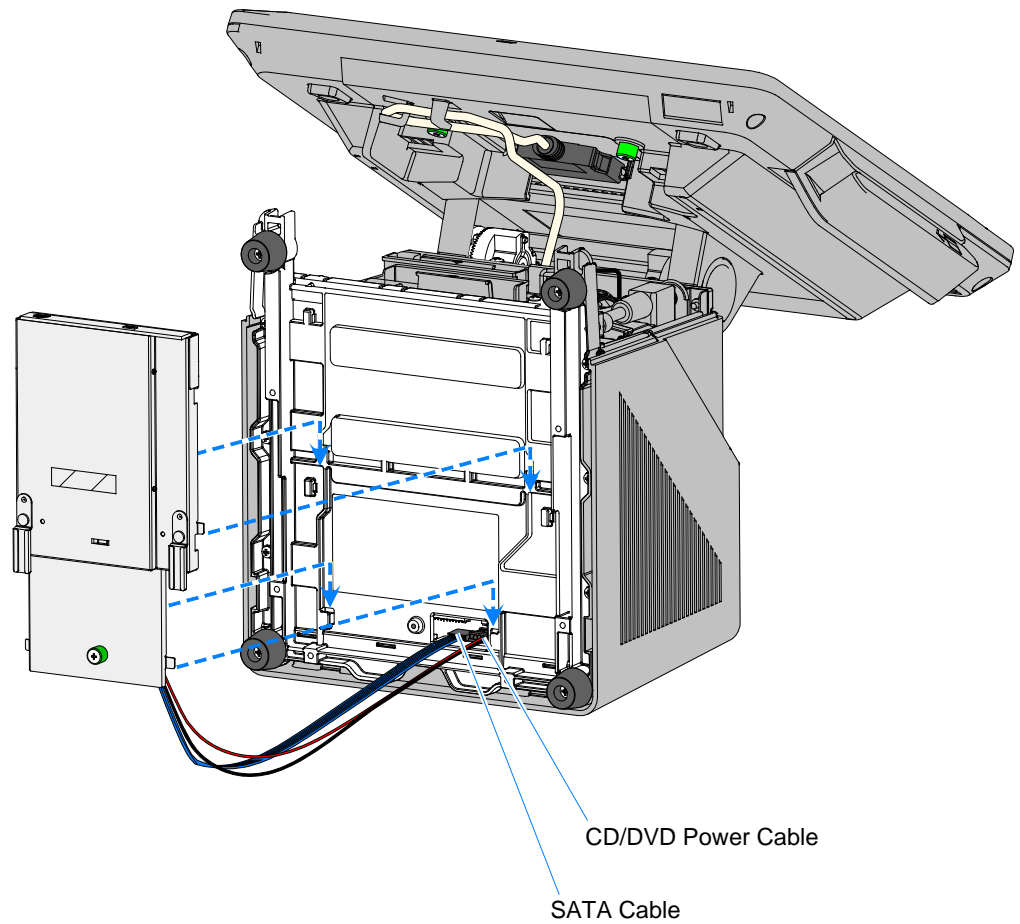
26463



5. Connect the CD/DVD Power and SATA Cables to the DVD Drive.
6. Secure the cables to the CD/DVD Bracket using a tie wrap.
7. Fold the cables as shown below. Route the Power Cable as shown to keep it out from under the sheet metal when installing the drive.

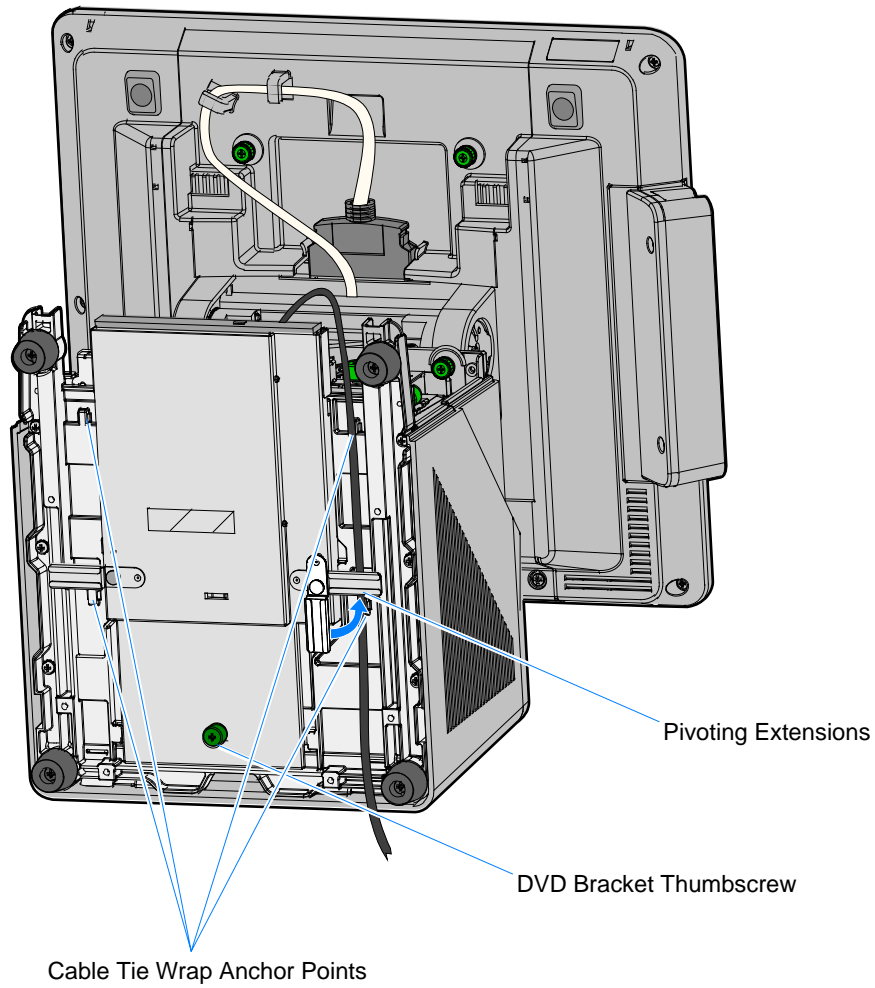


8. Connect the CD/DVD Power and SATA Cables to the 7403 Backplane Board.



9. Install the CD/DVD Assembly.
  - a. Align the tabs (4) on the edge of the DVD Bracket above the slots in the 7403 Base.
  - b. Slide the DVD Bracket down into the slots.

10. Secure the assembly with the DVD Bracket Thumbscrew.



11. Route the external cables in the channel(s) and pivot the extensions to keep the cables secure. Secure the cables to the Base using Tie Wraps as necessary.