

7403-K261/K263

# Hard Disk Drive

Kit Instructions



Issue A

---

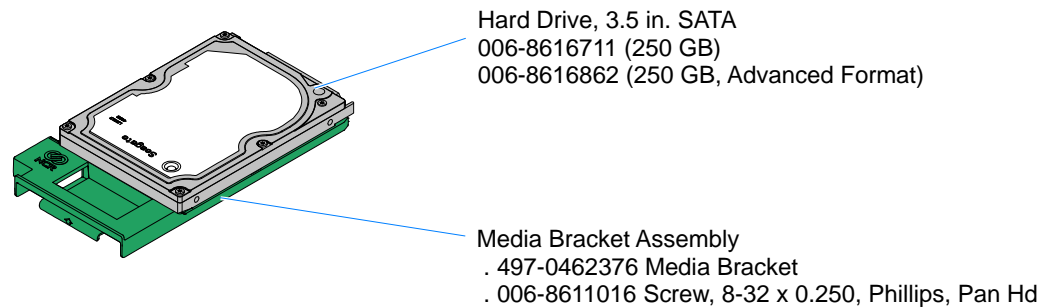
## Revision Record

Issue	Date	Remarks
A	Feb 2009	First issue

## Introduction

This kit contains a 3.5" hard disk drive and mounting bracket for the RealPOS 70XRT. There are two versions:

- 7403-K261 (250 GB)
- 7403-K263 (250 GB, Advanced Format)



26168d

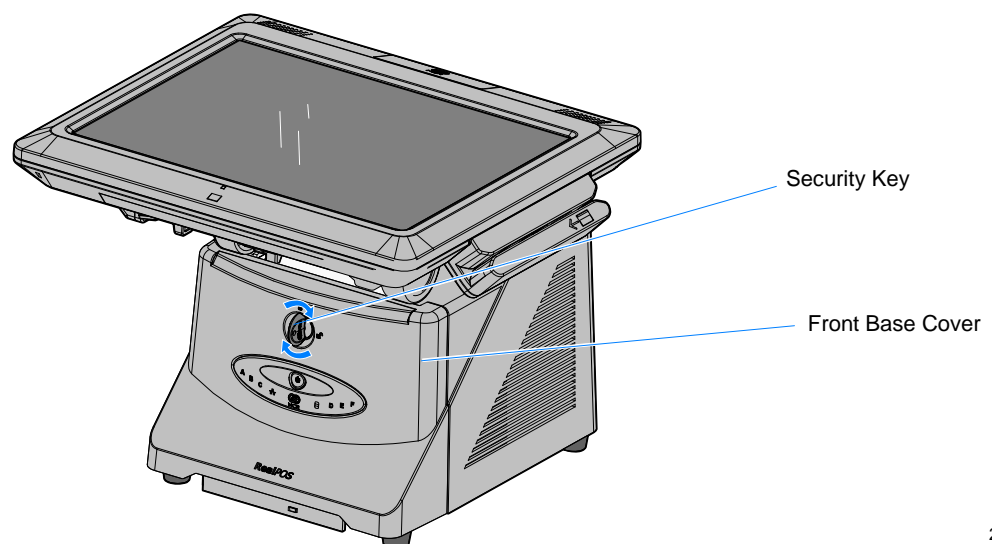
## Installation Procedures

**Caution:** Static Electricity Discharge may permanently damage your system. Discharge any static electricity build up in your body by touching your computer's case for a few seconds. Avoid any contact with internal parts and handle cards only by their external edges.

1. Disconnect power to the terminal.

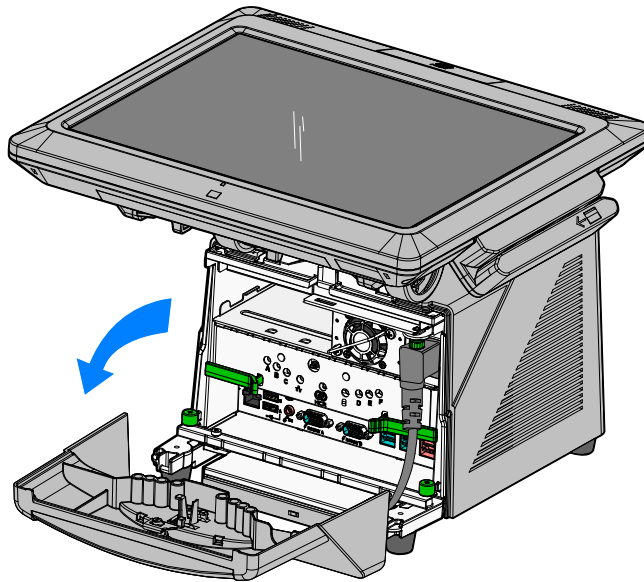
**Caution:** Disconnect the AC power cord before disassembling the terminal. The ON/OFF switch does **NOT** remove power to the unit.

- a. Insert the Security Key and turn it 90 degrees clockwise.
- b. Remove the Front Base Cover.



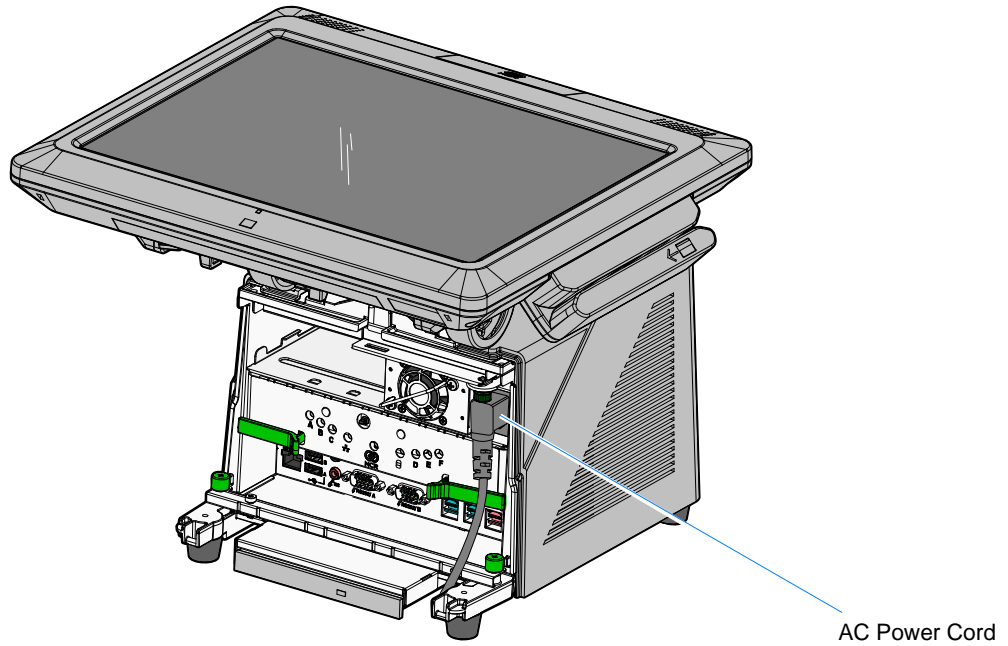
26124

- c. Pivot the top of the Front Base Cover toward the front of the unit and remove it from the terminal.



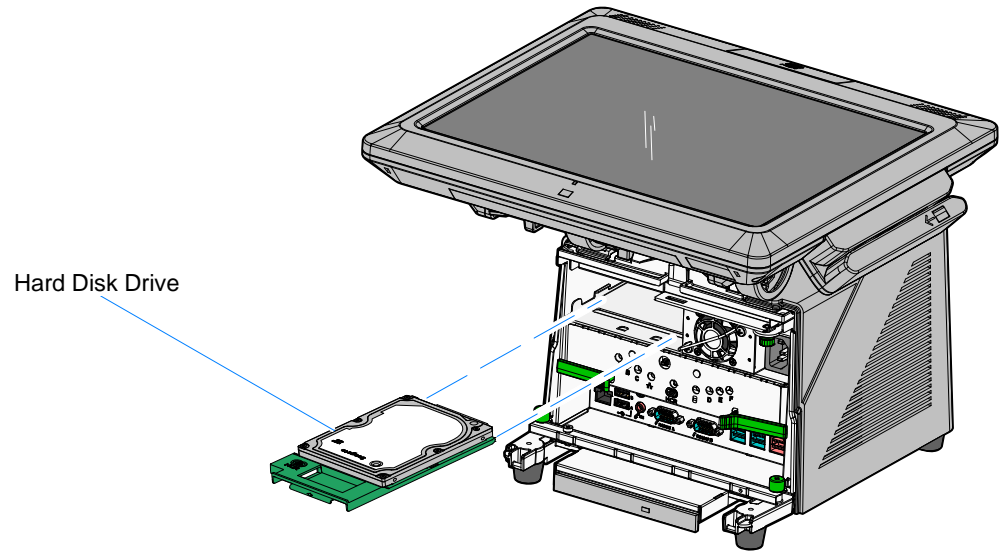
26032c

- d. Disconnect the Power Cord from the Power Supply.



26135c

2. Install the HHD in the lower HDD slot.



26484b

3. Connect the AC Power Cord.
4. Install the Front Base Cover and lock the Security Lock.