

7403-K266

Dual 2.5" Hard Drives

Kit Instructions



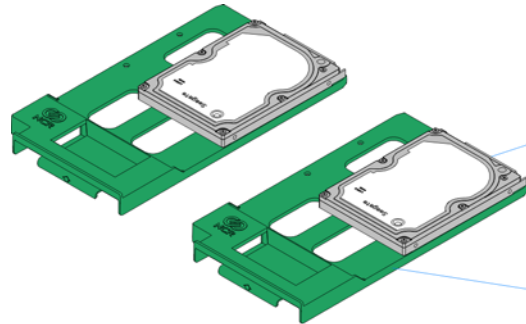
Issue B

Revision Record

Issue	Date	Remarks
A	Nov 2008	First issue
B	Aug 2013	Removed K262

Introduction

This kit contains two 2.5" hard drives and mounting brackets for the RealPOS 70_{XRT}/RealPOS 72_{XRT}.



Hard Drive, 2.5 in. SATA
(Dual HDD Configurations)
006-8622922 (250 GB, Advanced Format)

Media Bracket Assembly
. 497-0462376 Media Bracket
. 006-8613167 Screw, M3 x 6mm, Phillips,
Pan Hd., Ext. Tooth Washer

26168f

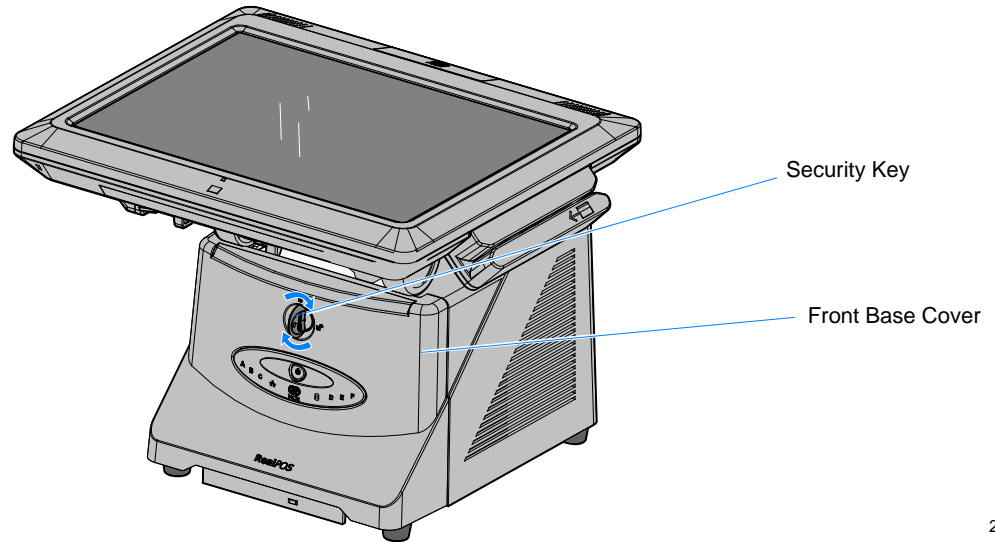
Installation Procedures

Caution: Static Electricity Discharge may permanently damage your system. Discharge any static electricity build up in your body by touching your computer's case for a few seconds. Avoid any contact with internal parts and handle cards only by their external edges.

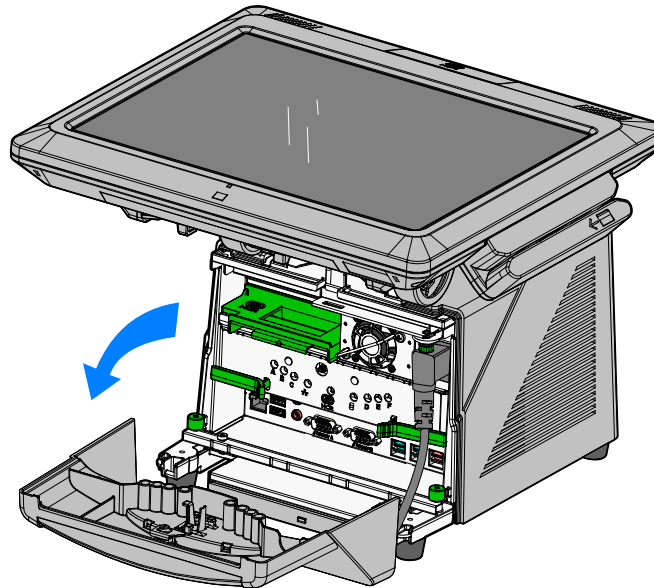
1. Disconnect power to the terminal.

Caution: Disconnect the AC power cord before disassembling the terminal. The ON/OFF switch does **NOT** remove power to the unit.

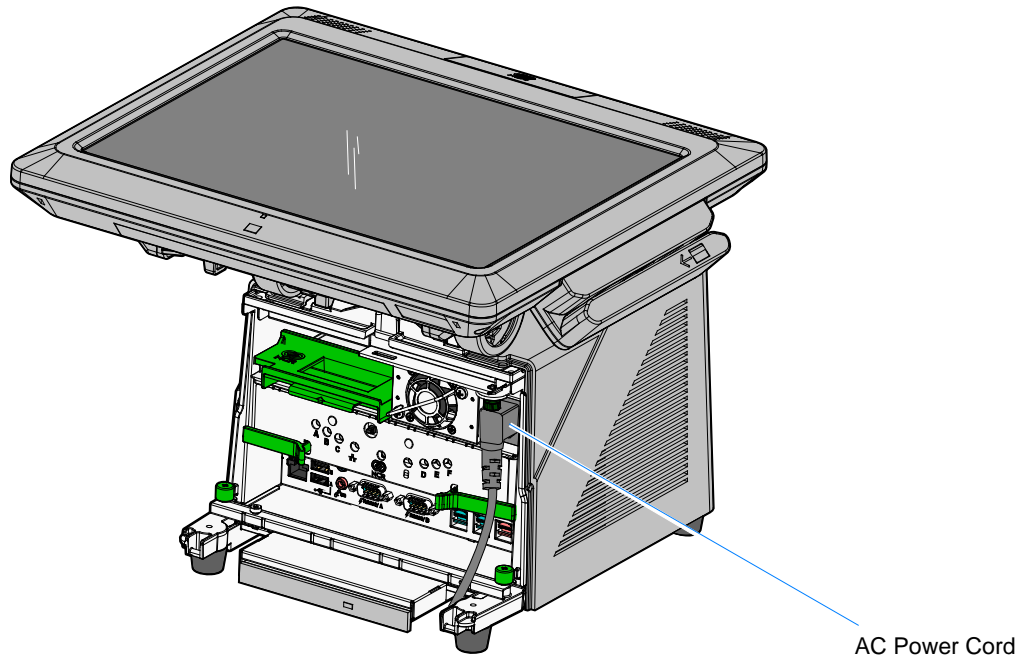
- a. Insert the Security Key and turn it 90 degrees clockwise.
- b. Remove the Front Cover.



- c. Pivot the top of the Front Base Cover toward the front of the unit and remove it from the terminal.

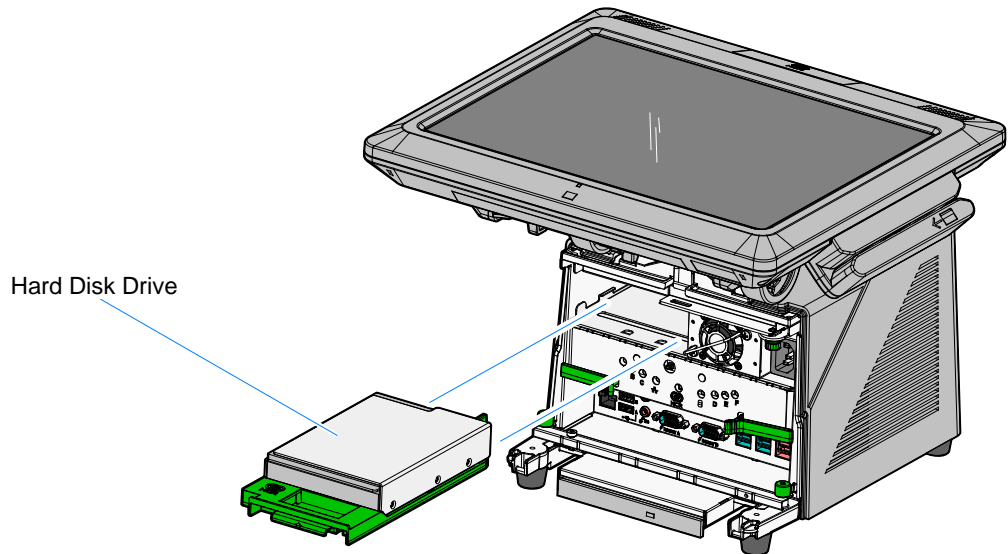


- d. Disconnect the Power Cord from the Power Supply.



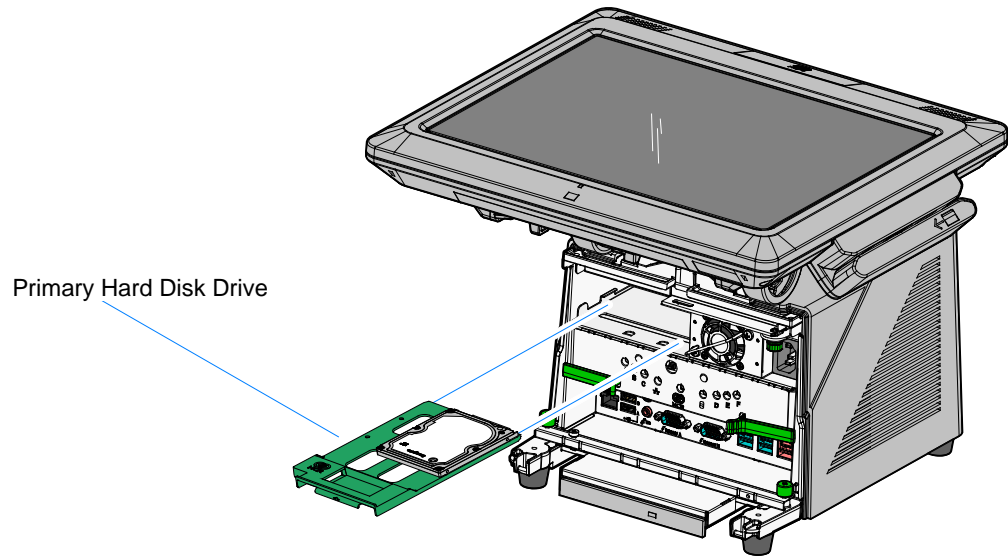
26135

2. The Dual Drive (RAID) system does not use the existing large format HDD. Squeeze the latch on the green Storage Media Bracket and pull the Hard Disk Drive out of the Base Chassis.



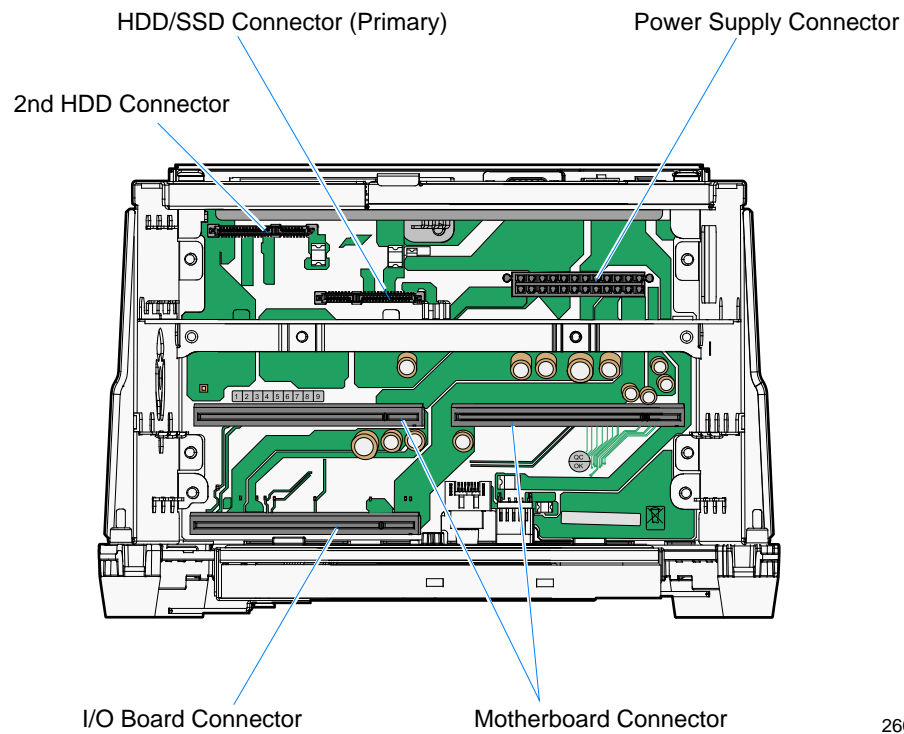
26034

3. Install the Primary HDD in the lower HDD slot.



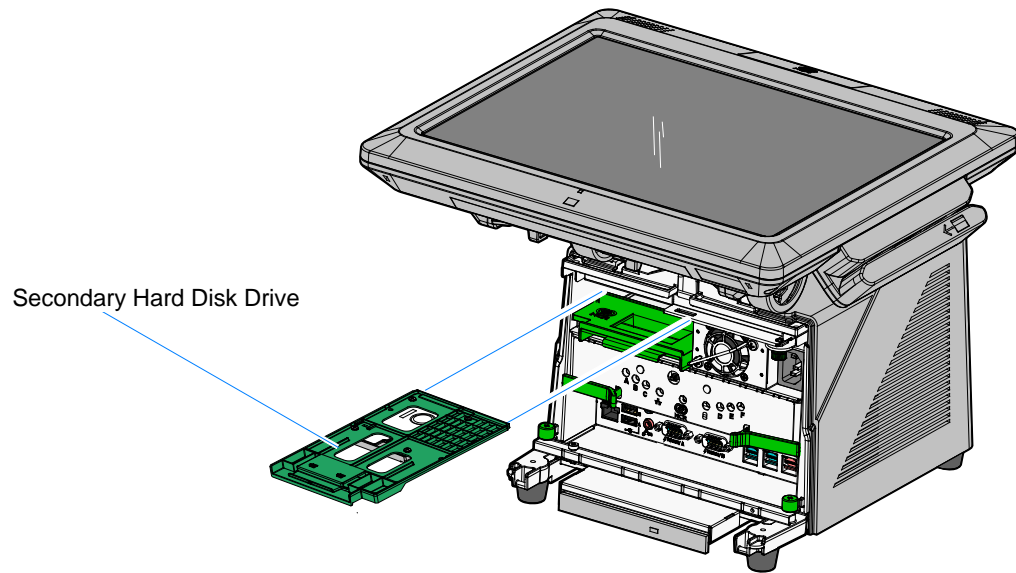
26484

The Primary HDD connector (Drive 0) is the *lower* connector. The secondary is the *upper* connector.



26043

4. Install the Secondary HDD in the upper HDD slot.



26485

5. Install the Front Base Cover and lock the Security Lock.

RAID System

If the secondary HDD is going to be used as a RAID volume see the RealPOS 70_{XRT} User Guide (B005-0000-1872) for information about installing RAID.