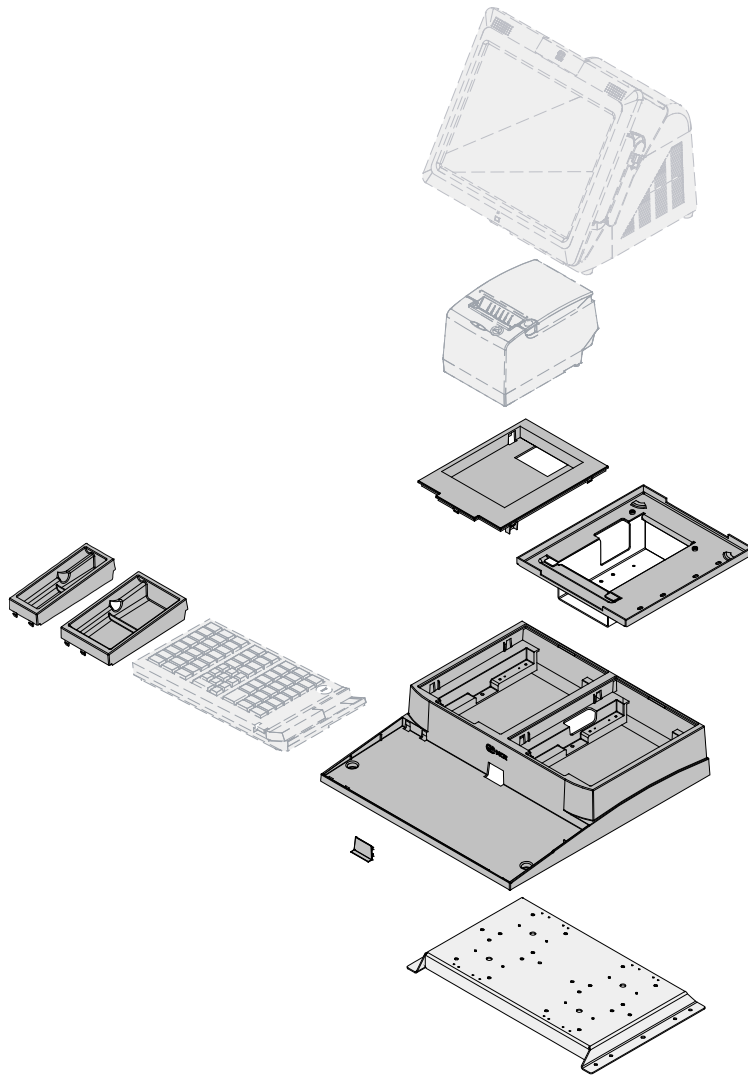


7403-K300

NCR RealPOS 70_{XRT} (7403) GMS Integration Tray

Kit Instructions



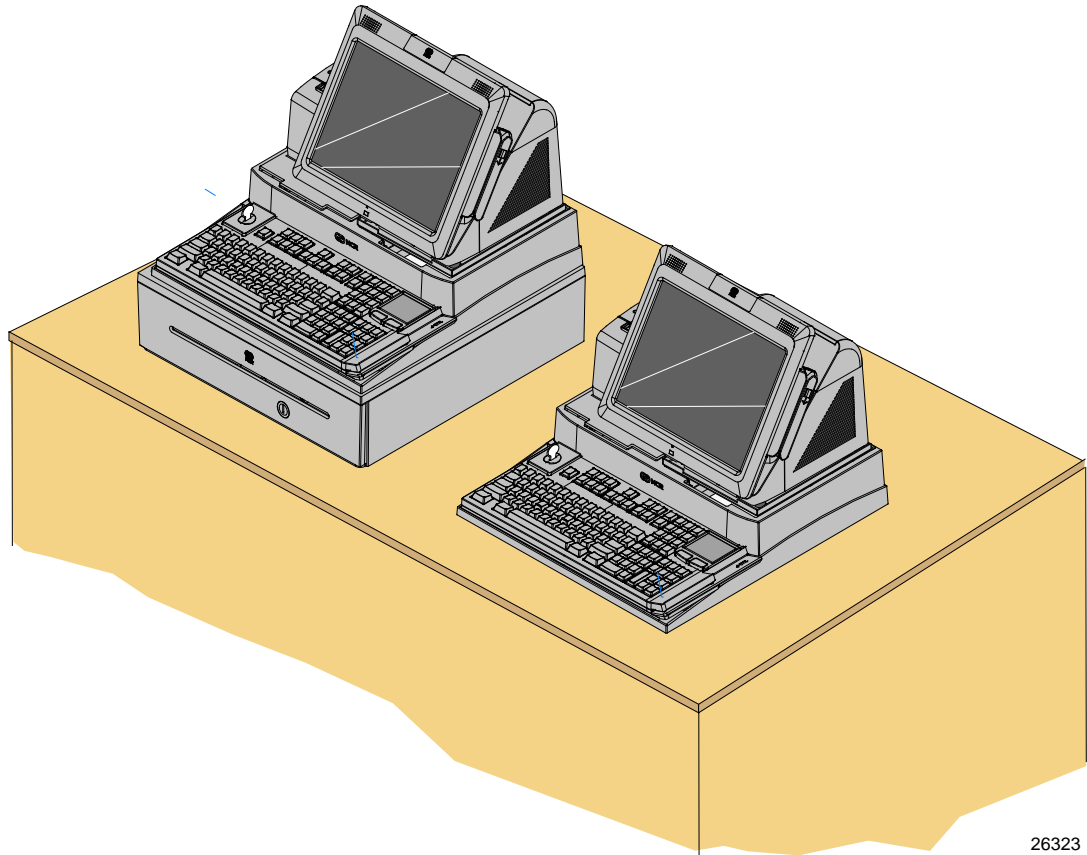
Issue A

Revision Record

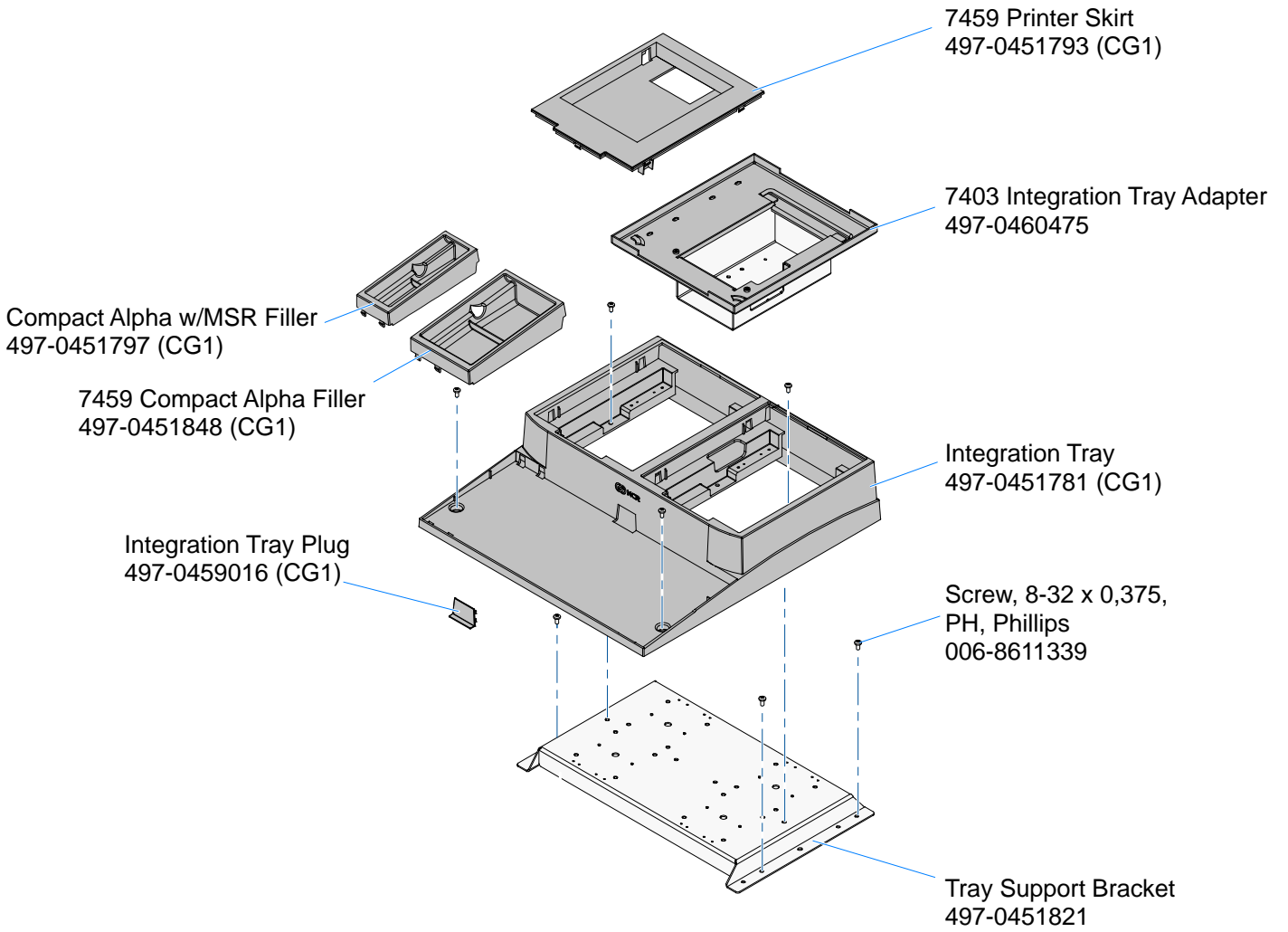
Issue	Date	Remarks
A	Nov 2008	First issue

Introduction

The Peripheral Integration Tray kit provides the necessary components for integrating a printer and keyboard with the RealPOS 70XRT or RealPOS 72 XRT terminal. It can be mounted on a flat surface or on a cash drawer.



Components

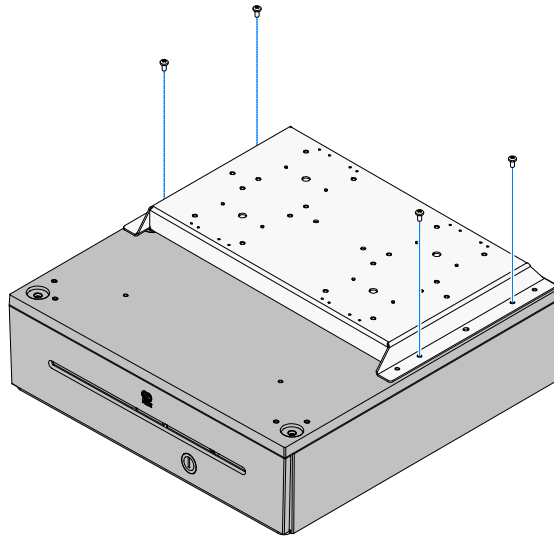


Installation Procedures

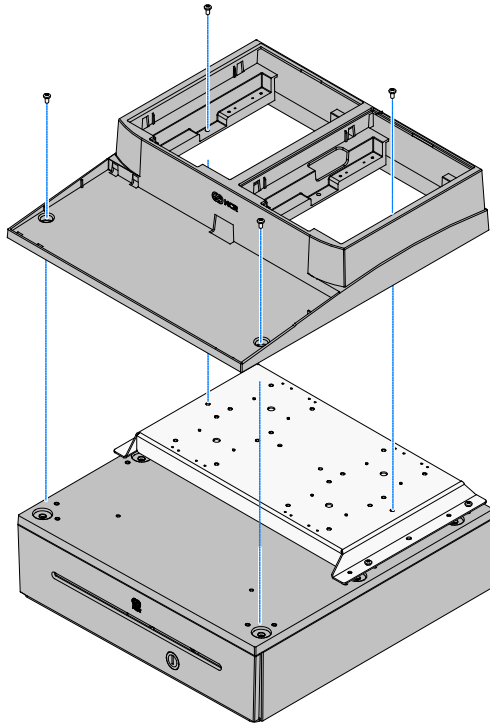
The Integration Tray can be installed on an NCR 2181 Cash Drawer or it can be installed directly to a flat surface. The installation procedures are identical except for including the cash drawer.

Installing on a Cash Drawer

1. Position the Tray Support Bracket on a Cash Drawer using the supplied screws (4).

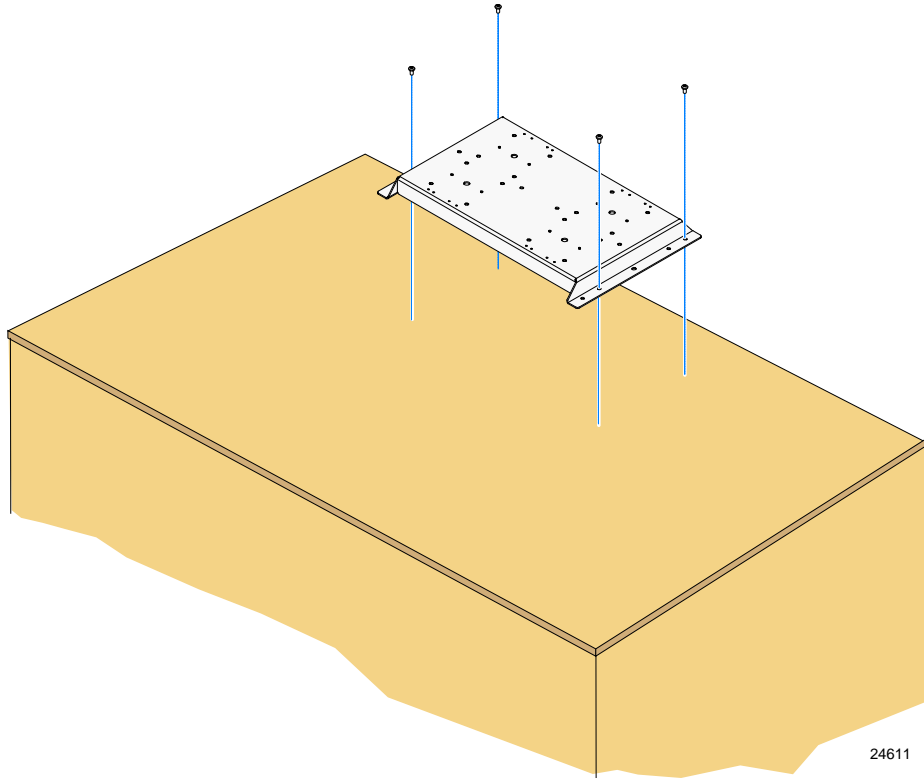


2. Position the Integration Tray on top of the Tray Support Bracket and secure it with screws (4).

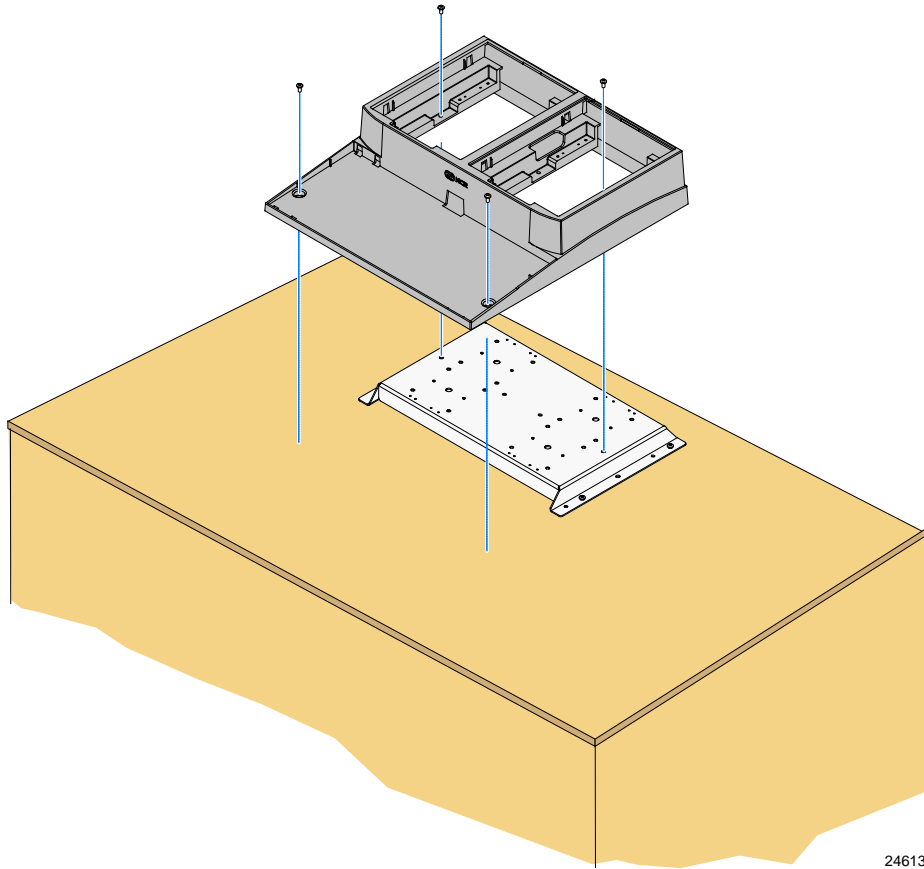


Installing on a Flat Surface

1. Position the Tray Support Bracket on mounting surface and secure it with screws (4) that are appropriate for the surface type.



2. Position the Integration Tray on top of the Tray Support Bracket. Secure the tray to the Tray Support Bracket with screws (2). Secure the front of the tray to the mounting surface with screws (2) that are appropriate for the surface type.

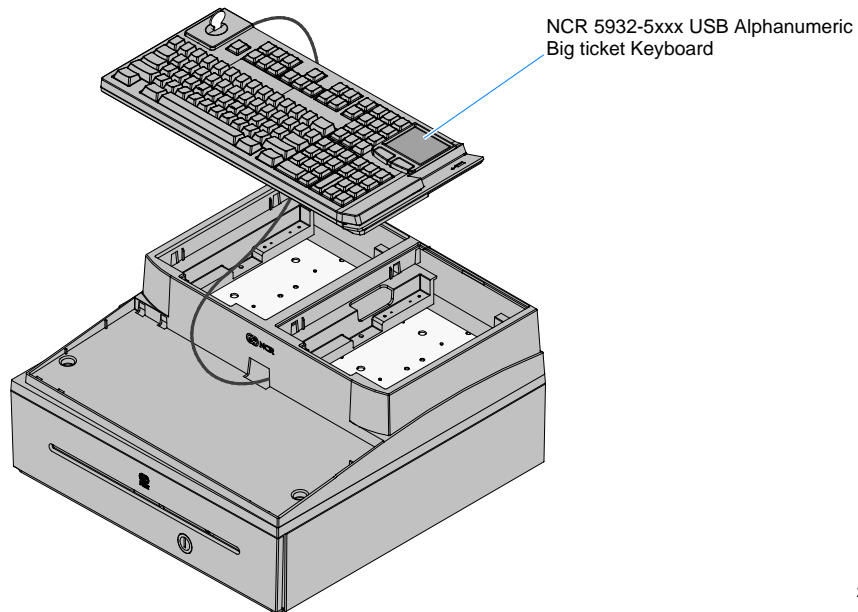


24613

Installing the Keyboard

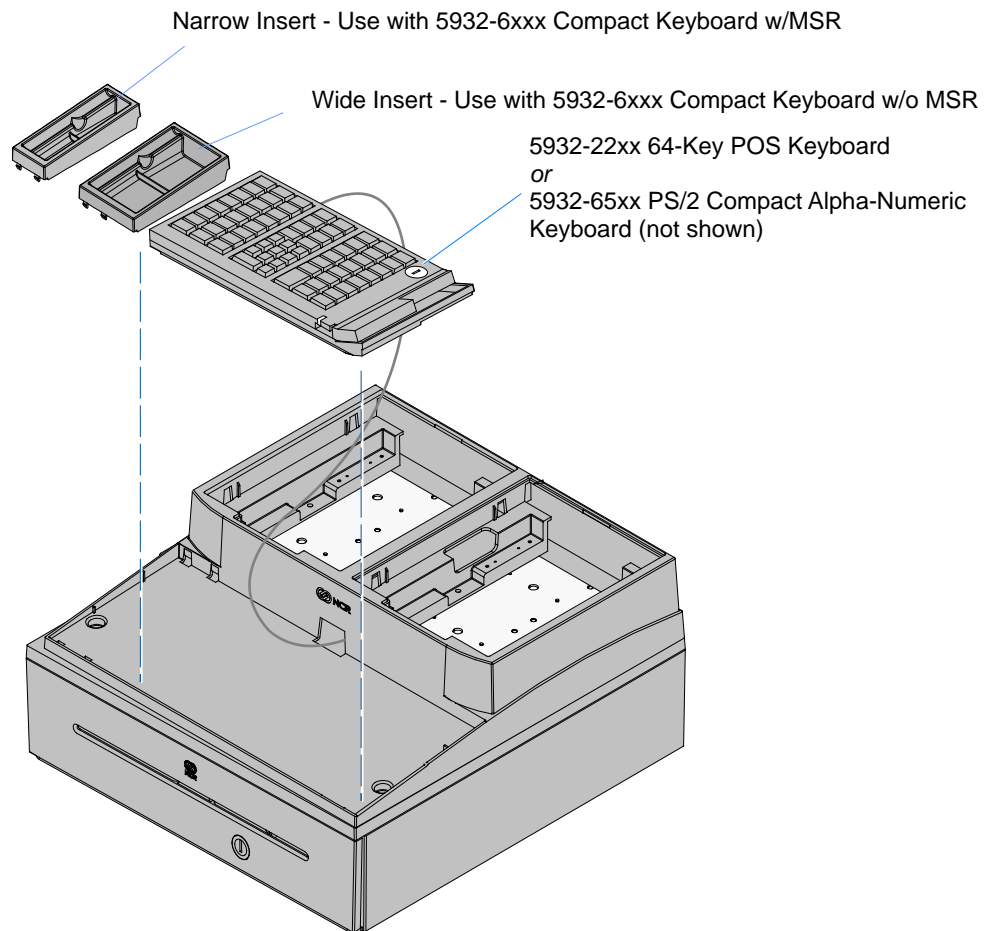
Note: If a keyboard is not used insert the Integration Tray Plug into the opening where the keyboard cable would normally be routed.

1. Install the keyboard in the Integration Tray.
2. Route the cable as shown.



Compact Keyboard: Install the Keyboard Tray Insert beside the keyboard.

Note: There are two Keyboard Tray Inserts. The narrow tray is used in all cases except when using the 5932-65xx PS/2 model *without* an MSR.



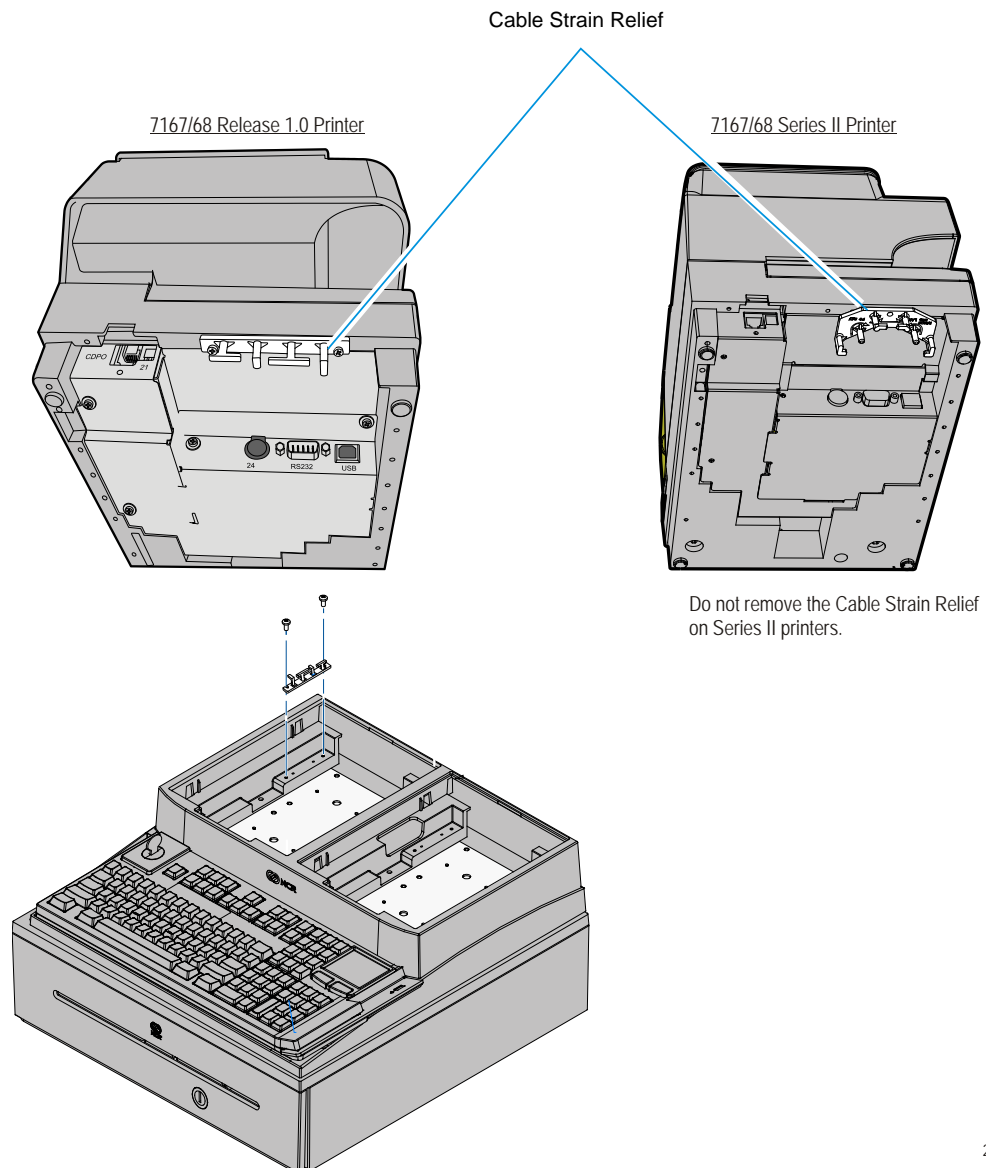
Installing the Transaction Printer

The NCR 7167, 7168, 7197, or 7198 printer can be located on either side of the Integration Tray.

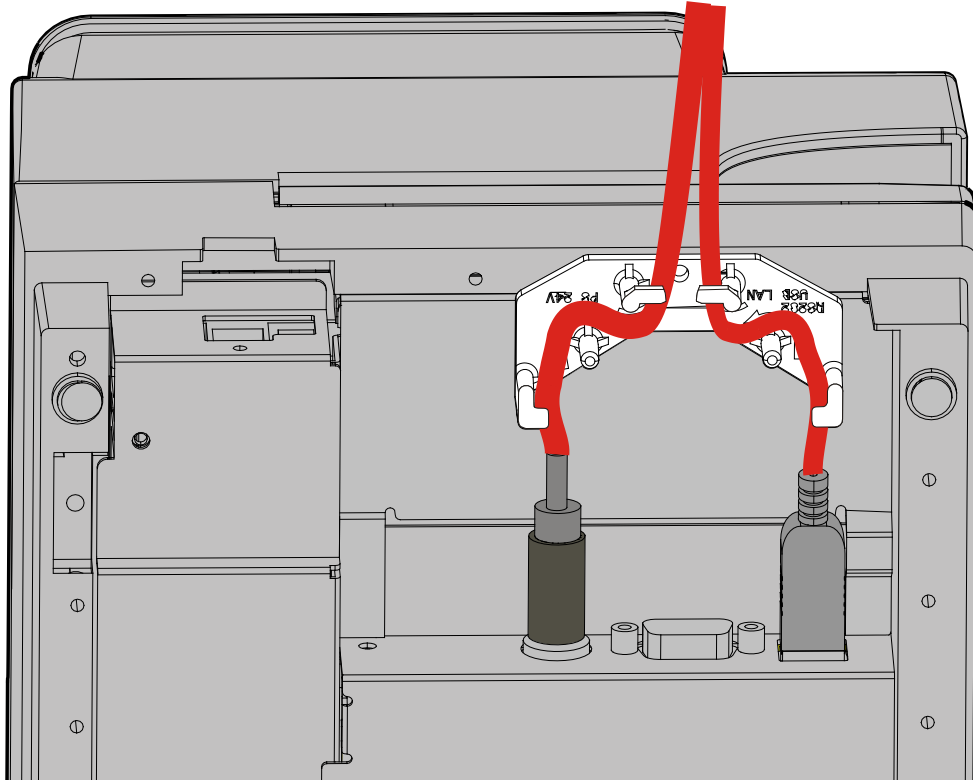
Note: The Printer Cable Strain Relief is different on the Release 1.0 and the Series II printers. The Cable Strain Relief on Release 1.0 printers prevents the printer from sitting properly in the Integration Tray and must be removed from the printer and installed in the Integration Tray.

NCR 7167/7168 Release 1.0 Printers Only:

1. Remove the Cable Strain Relief from the back of the printer (2 screws). The printer will not sit properly in the tray with it installed.
2. Install the Cable Strain Relief on the Integration Tray using the same screws.



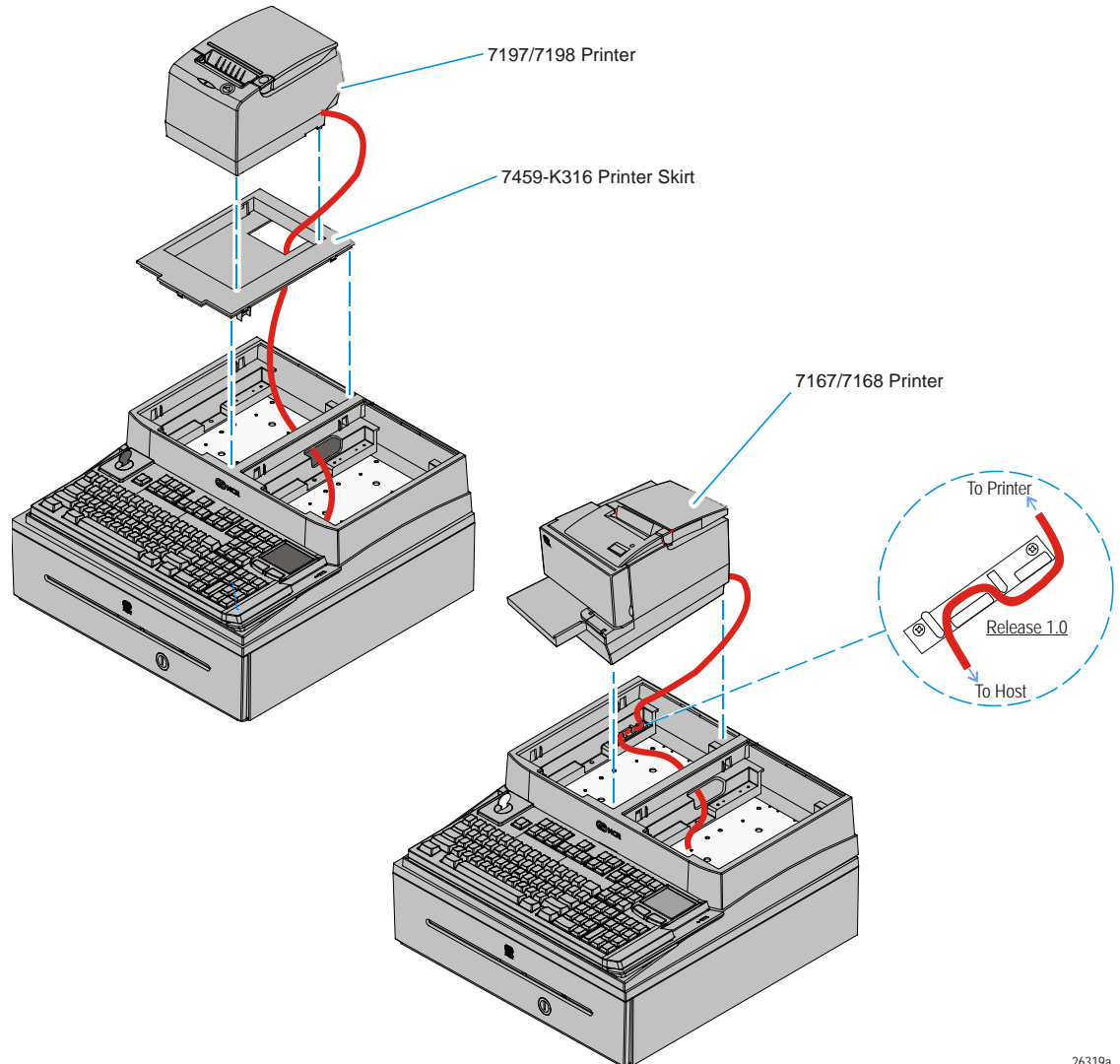
3. Connect the Printer Cable to the USB and Power connectors.
4. Series II Printers Only: Route the cable through the Cable Strain Relief on the printer as shown.



5. Route the printer cable(s) through the openings in the Integration Tray as shown below and set the printer in the tray opening.

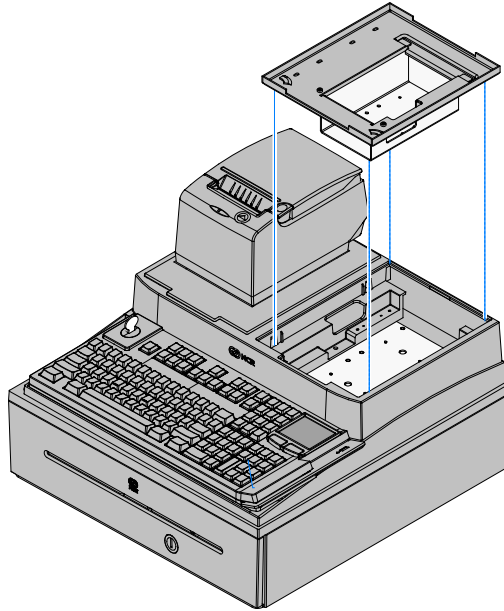
NCR 7197/7198 Only: Install the 7459-K316 Printer Skirt (included with 7403-K300).

NCR 7167/7168 Only: Secure the cable in the Cable Strain Relief as shown.

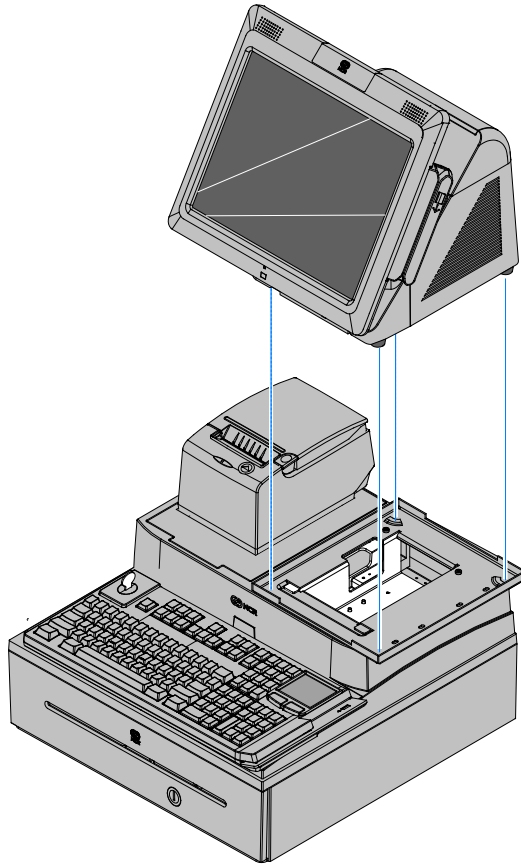


Installing the Terminal

1. Install the 7403 Integration Tray Adapter. It can be located on either side of the tray. Consideration should be given to the total integrated terminal configuration to obtain satisfactory clearances. Secure the adapter to the Tray Support Bracket with screws (4).

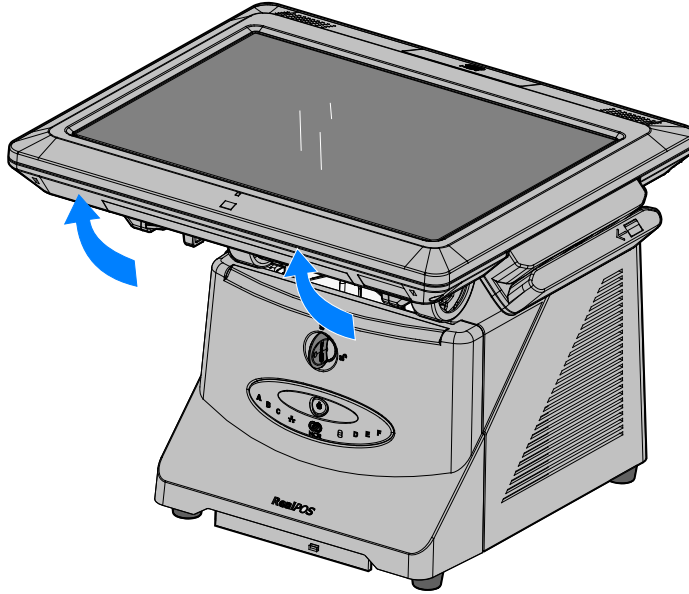


2. Place the 7403 terminal on the 7403 Integration Tray Adapter.



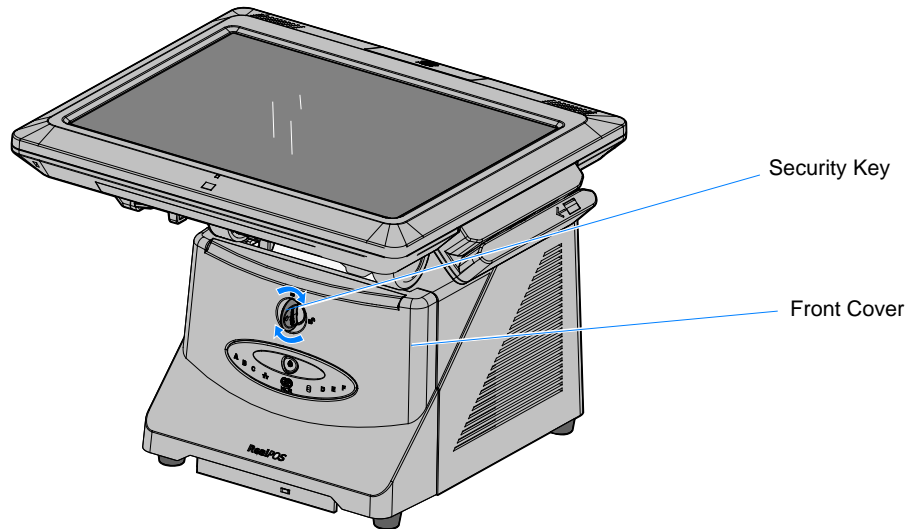
Connecting the External Cables to the Terminal

1. Tilt the Display Module.



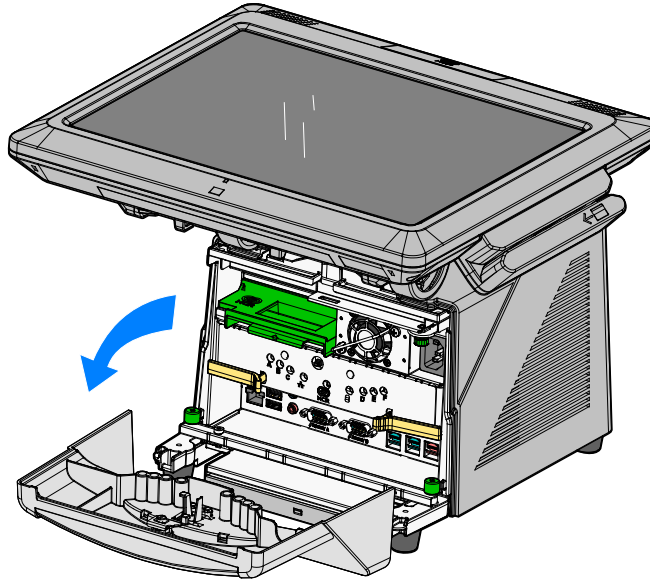
26031

2. Remove the Front Cover.
 - a. Insert the Security Key and turn it 90 degrees clockwise.



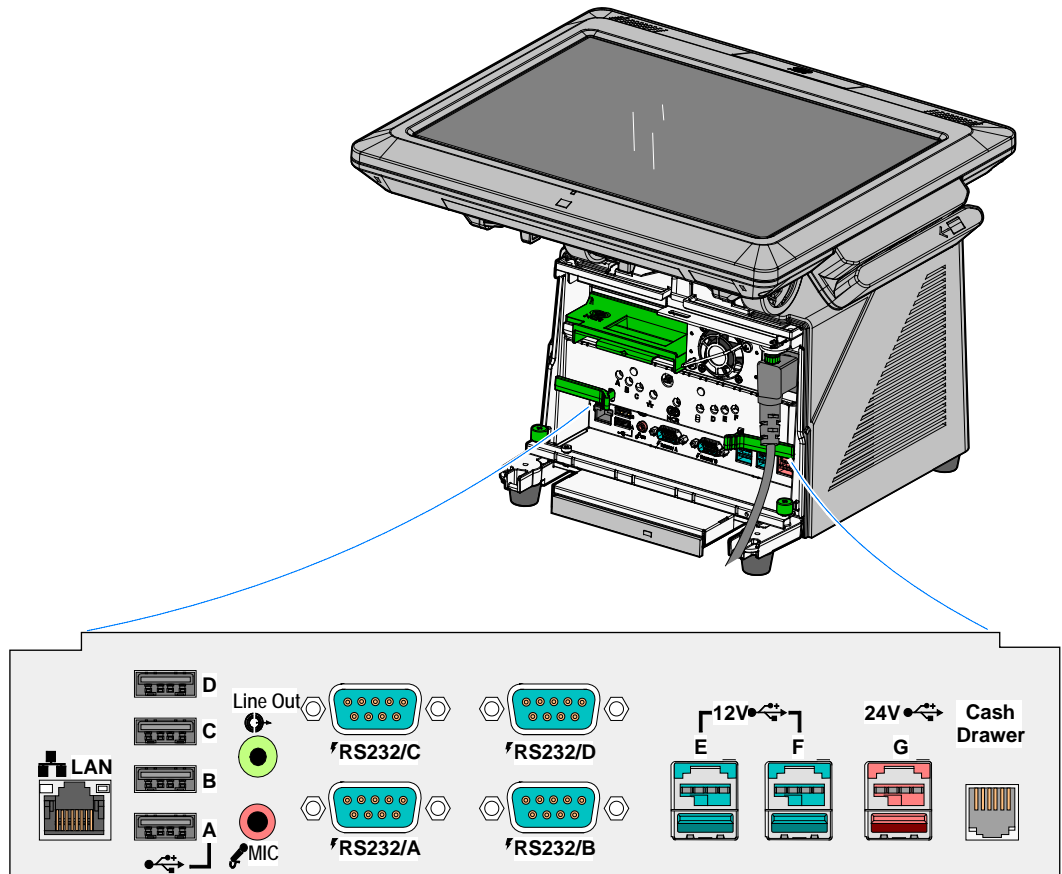
26124

- b. Pivot the top of the Front Cover toward the front of the unit and remove it from the terminal.



Connector I/O Panel

1. Connect the printer and LAN cables to the I/O panel.

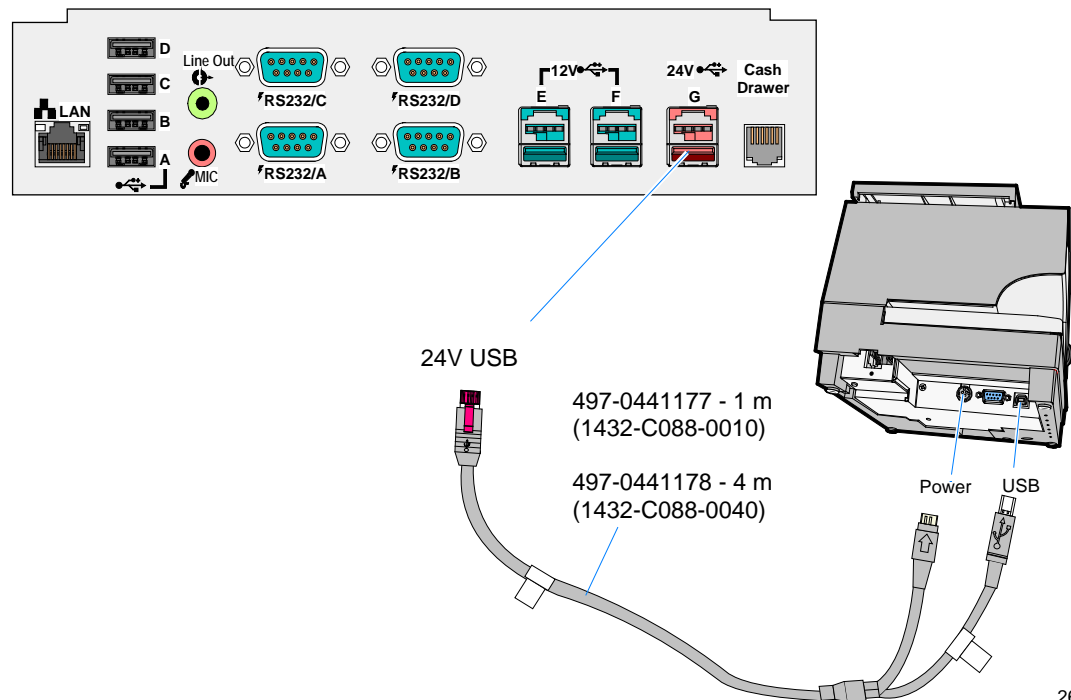


Printer Cable Connections

The printers can connect through a USB connector or an RS-232 connector. It receives power through a Powered USB power cable.

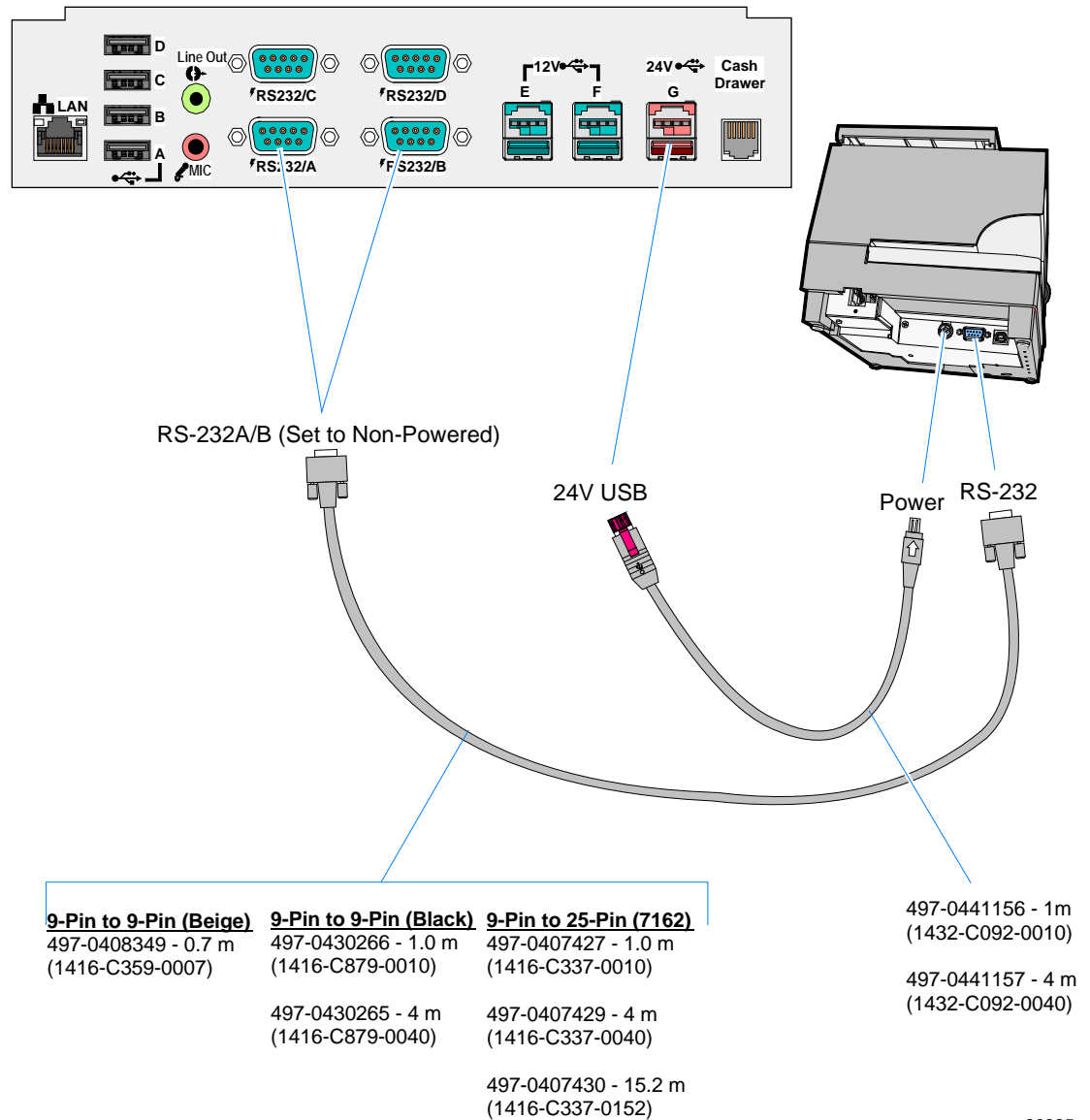
USB Installation

Connect the Powered USB Printer Interface Cable to the *USB Connector* and *Power Connector* on the printer and to the *24 V Powered USB Connector* on the terminal.



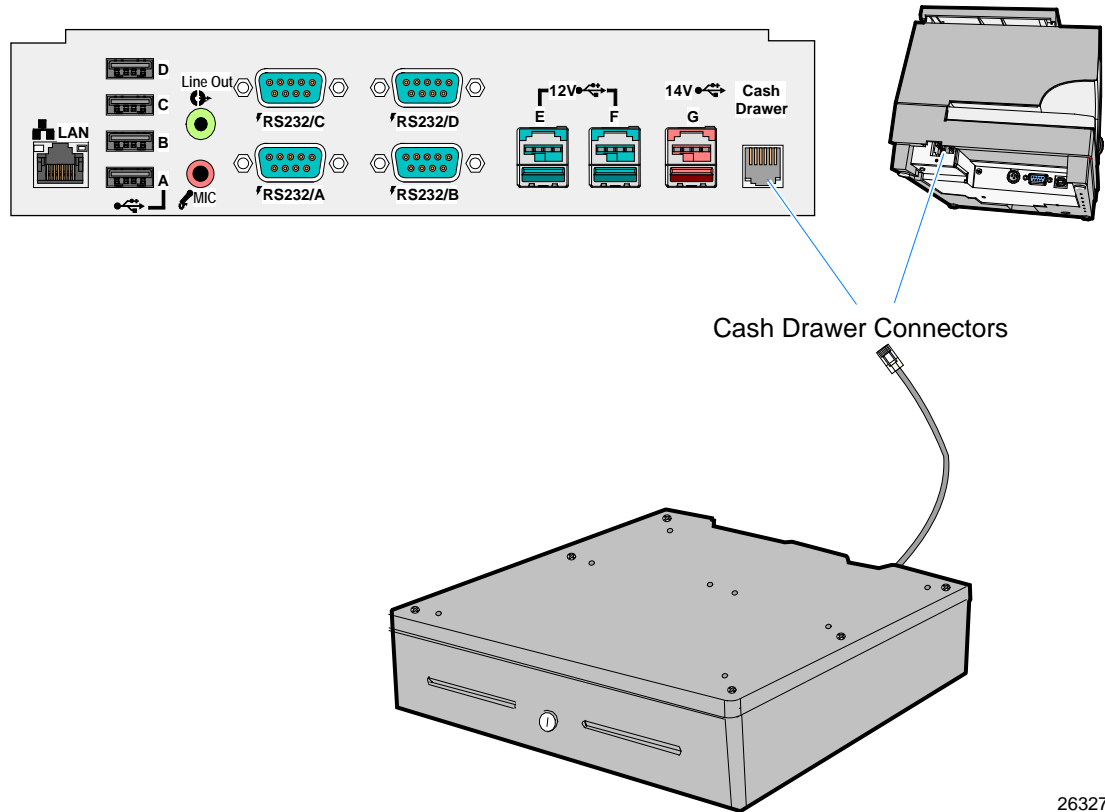
RS-232 Installation w/Power from Powered USB

1. Connect the RS-232 Printer Interface Cable to the *RS-232 Connector* on the printer and to an *RS-232 Connector* on the terminal.
2. Connect the Printer Power Cable to the *Power Connector* on the printer and to the *24 V Powered USB Connector* on the terminal.



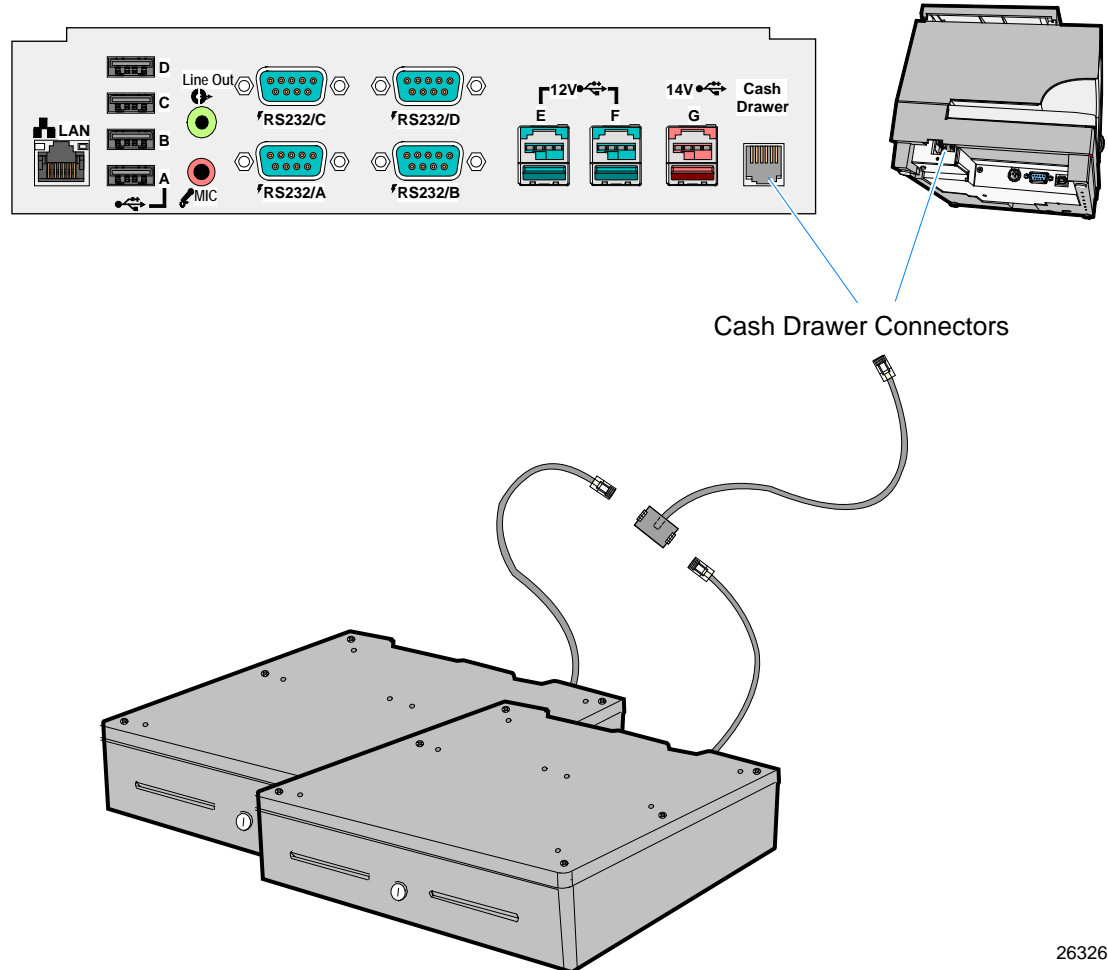
Cash Drawer Cable Connections

The Cash Drawer can be installed remotely or integrated with the terminal. It can be connected to the Cash Drawer connector on the terminal or to the transaction printer Cash Drawer Kickout.



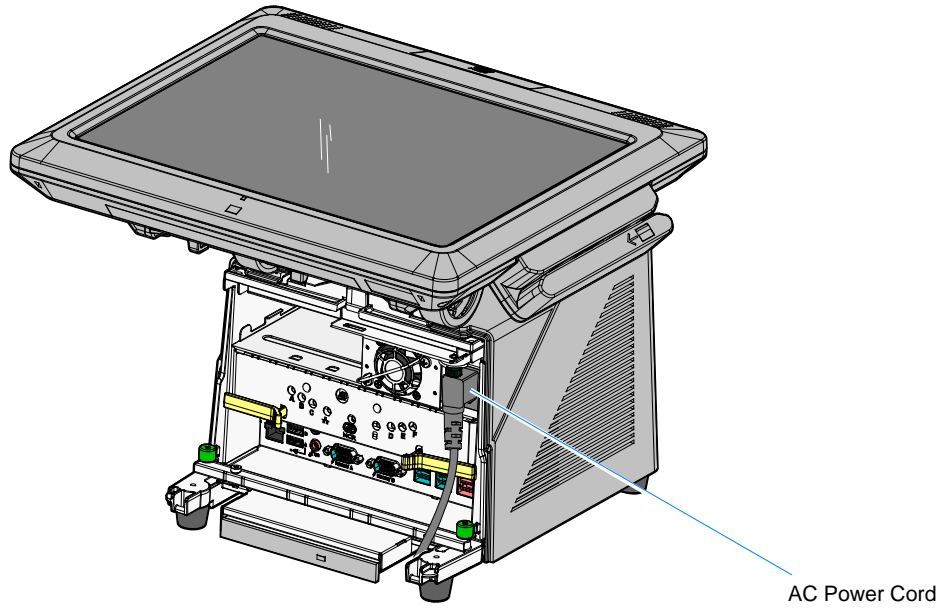
Second Cash Drawer Cable Connection

The terminal supports a 2-drawer configuration with a Y-cable (1416-C372-0006). Connect the Y-cable to the terminal or transaction printer cash drawer connector.



AC Power Cord Connection

1. Attach the Power Cord to the system and to an AC power source.

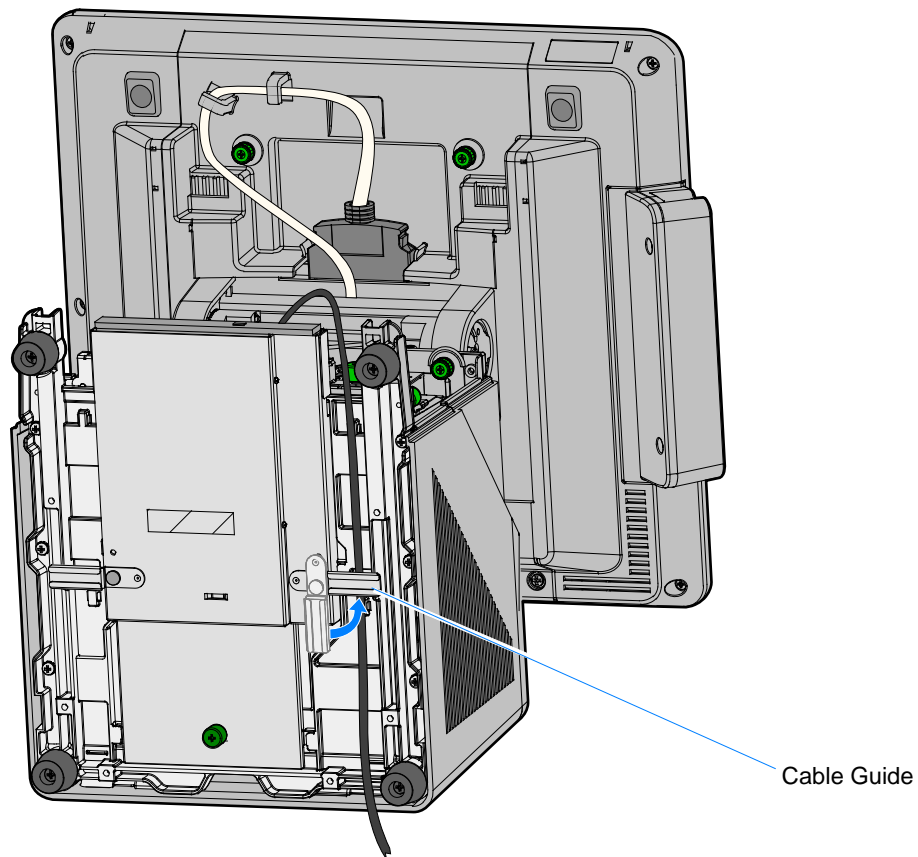


Cable Routing

The cables are routed under the base and out the rear of the unit. There are two ways to secure the cables.

Terminal Configured with a DVD-ROM Drive

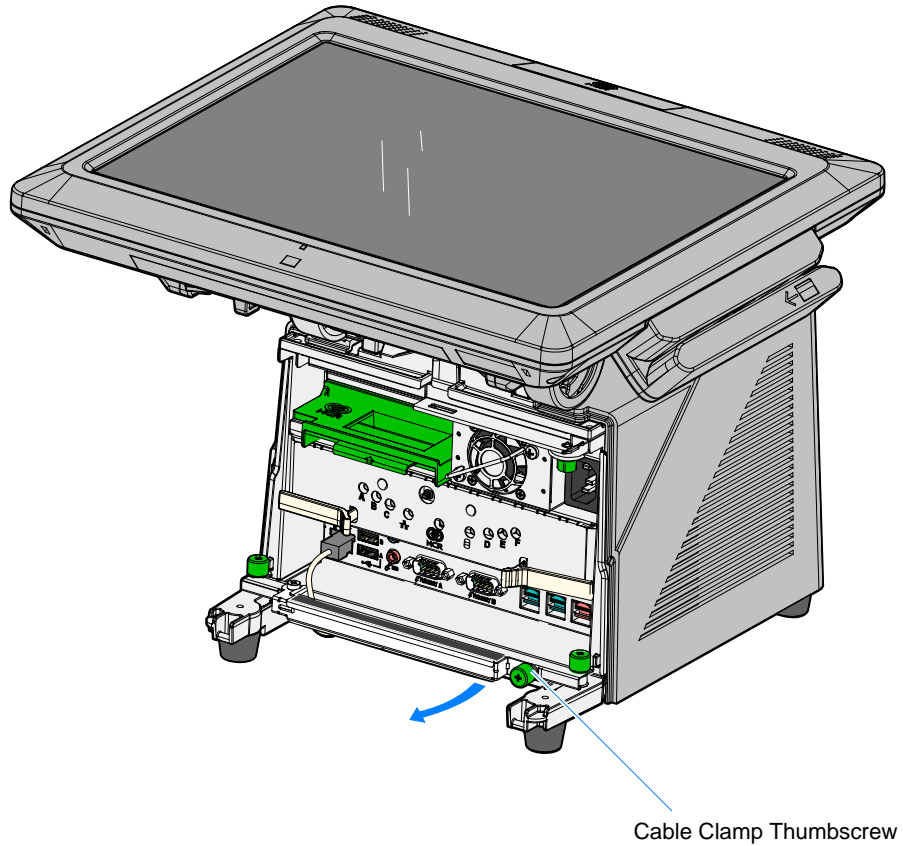
If configured with a DVD the cables are routed in the two channels in the bottom of the Base. There are pivoting latches that keep the cables secured in the channels.



Terminal without a DVD-ROM Drive

If there is no DVD present then there is an additional Cable Clamp on the front of the Base chassis that is used to secure the cables.

1. Loosen the Cable Clamp Thumbscrew
2. Pivot the clamp away from the terminal.



3. Route the cable between the clamp and base.
4. Secure the Cable Clamp Thumbscrew.

External Cable Routing

The cables are routed out the back of the terminal and down through the Integration Tray and cash drawer, if applicable.

