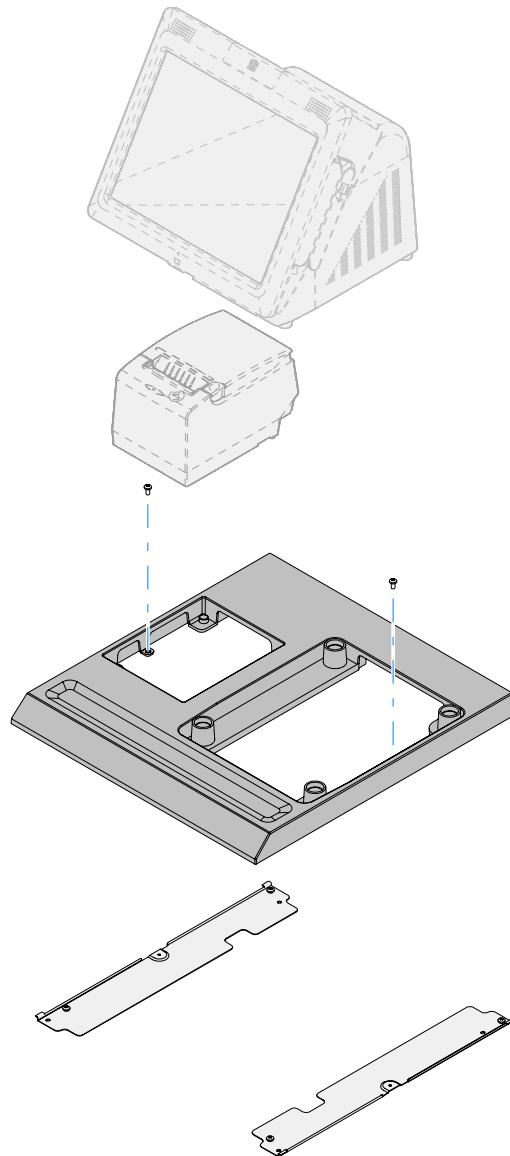


7403-K301

NCR RealPOS 70_{XRT} (7403)

Hospitality Integration Tray

Kit Instructions



Issue A

The product described in this book is a licensed product of NCR Corporation.

NCR is a registered trademark of NCR Corporation.

NCR RealPOS is either a registered trademark or trademark of NCR Corporation in the United States and/or other countries.

It is the policy of NCR Corporation (NCR) to improve products as new technology, components, software, and firmware become available. NCR, therefore, reserves the right to change specifications without prior notice.

All features, functions, and operations described herein may not be marketed by NCR in all parts of the world. In some instances, photographs are of equipment prototypes. Therefore, before using this document, consult with your NCR representative or NCR office for information that is applicable and current.

To maintain the quality of our publications, we need your comments on the accuracy, clarity, organization, and value of this book.

Address correspondence to:

Manger, Information Products
NCR Corporation
2651 Satellite Blvd.
Duluth, GA 30096

Copyright © 2008
By NCR Corporation
Dayton, Ohio U.S.A.
All Rights Reserved

Table of Contents

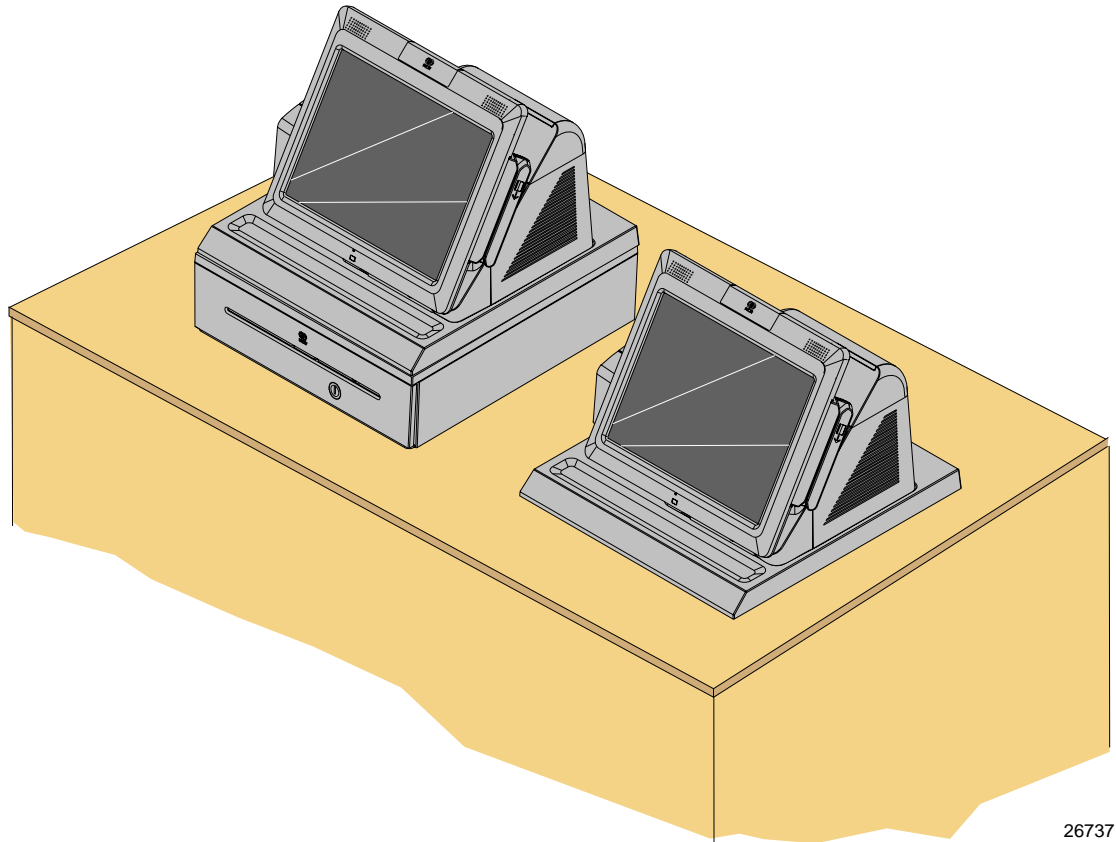
Introduction	1
Components.....	2
Installation Procedures	3
Installing the Transaction Printer	8
Installing the 7403 Terminal	11
Connecting the External Cables to the 7403	12
Connector I/O Panel	13
Printer Cable Connections.....	14
USB Installation.....	14
RS-232 Installation w/Power from Powered USB.....	15
Cash Drawer Cable Connections.....	16
Second Cash Drawer Cable Connection	17
AC Power Cord Connection.....	18
Cable Routing	19
Terminal Configured with a DVD-ROM Drive	19
Terminal without a DVD-ROM Drive	20
External Cable Routing	22

Revision Record

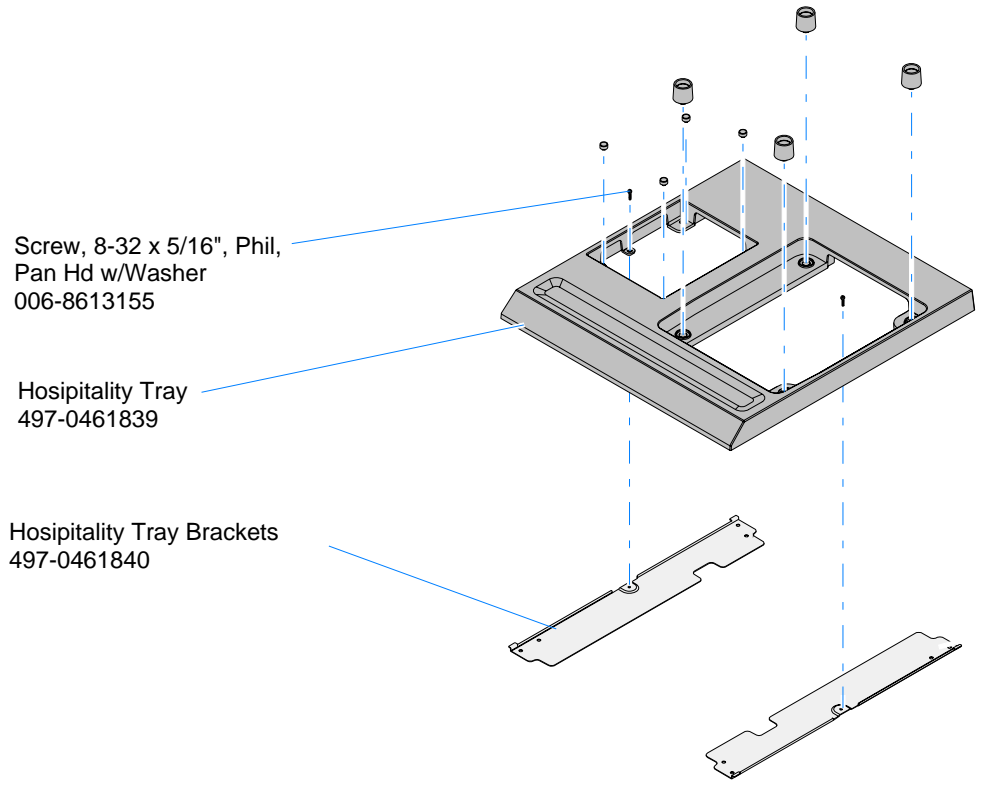
Issue	Date	Remarks
A	Nov 2008	First issue

Introduction

The Peripheral Integration Tray kit provides the necessary components for integrating a printer and keyboard with the RealPOS 70XR7 terminal. It can be mounted on a flat surface or on a cash drawer.



Components



Screw, 8-32 x 5/16", Phil,
Pan Hd w/Washer
006-8613155

Hospitality Tray
497-0461839

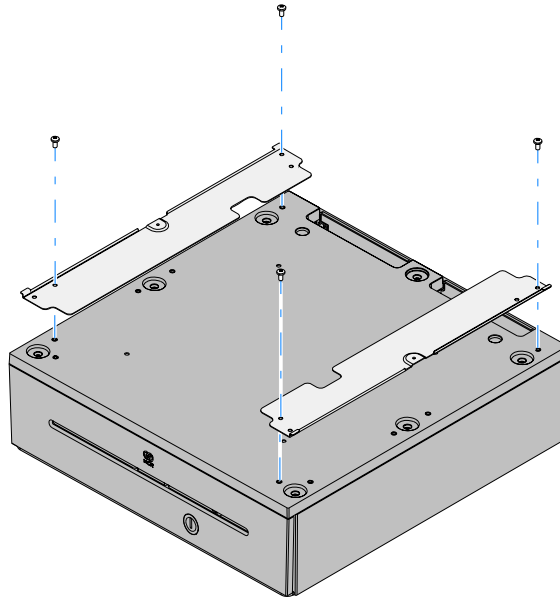
Hospitality Tray Brackets
497-0461840

Installation Procedures

The Integration Tray can be installed on an NCR 2181 Cash Drawer or it can be installed directly to a flat surface. The installation procedures are identical except for including the cash drawer.

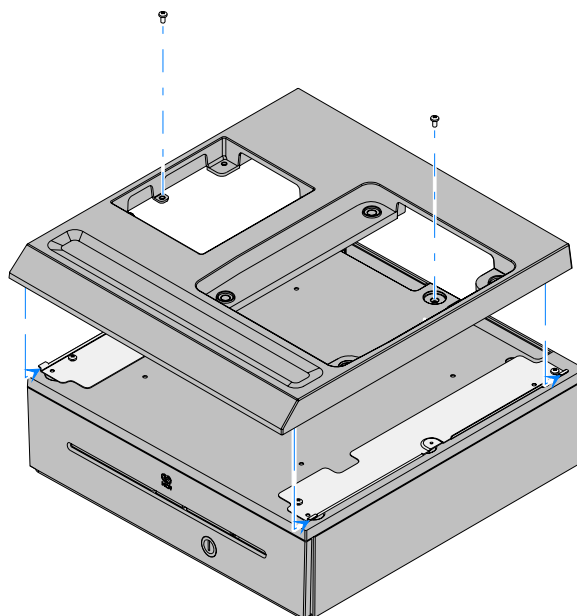
Installing on a Cash Drawer

1. Install the Hospitality Tray Brackets on the Cash Drawer using the supplied screws (4).



26738

2. Position the Hospitality Tray on top of the brackets slightly forward of the brackets. Lock the four tabs on the bottom of the tray under the matching extensions on the brackets by sliding the tray to the rear. Secure the tray with the supplied screws (2).



26739a

Installing on a Flat Surface

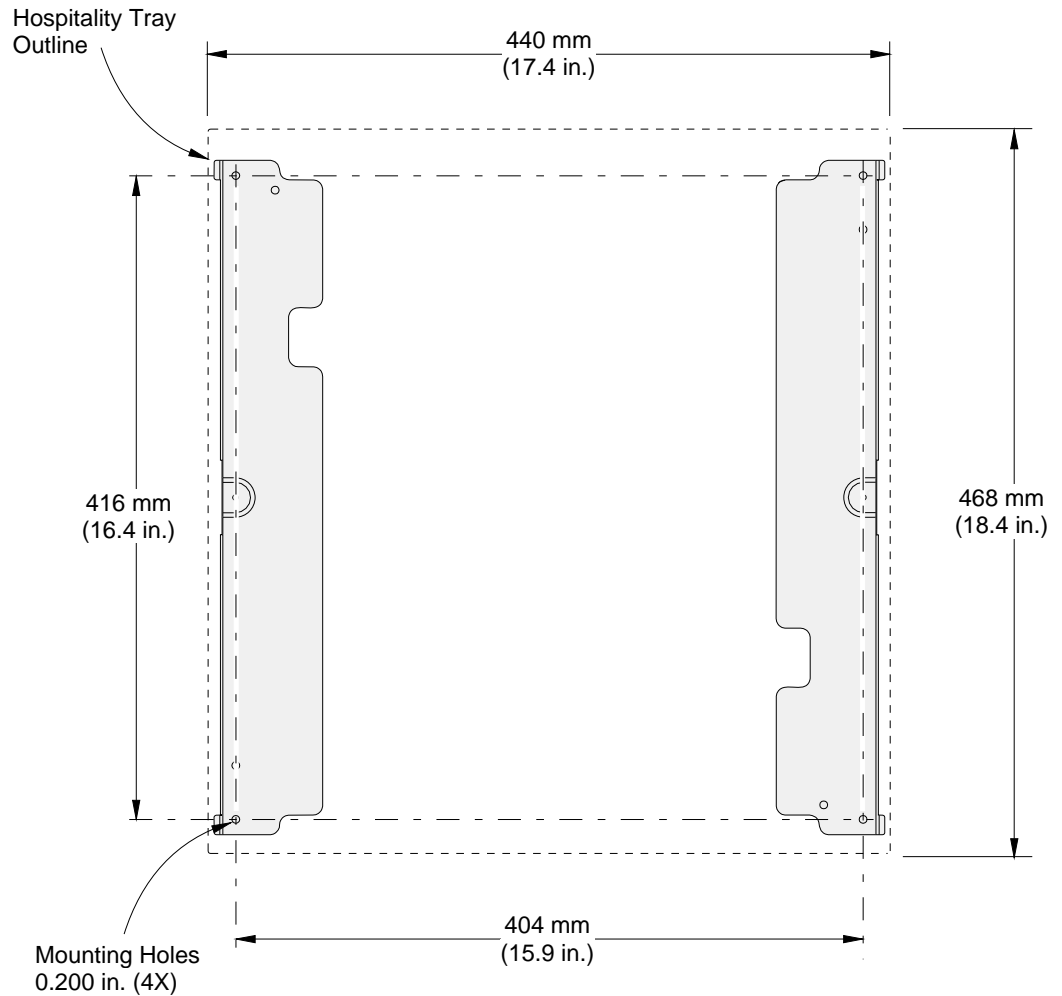
1. The Hospitality Tray Brackets are secured to a flat surface with screws or bolts (not supplied) that are appropriate for the surface.

If you are installing on a wood surface use #8 Pan Head wood screws and drill four pilot holes.

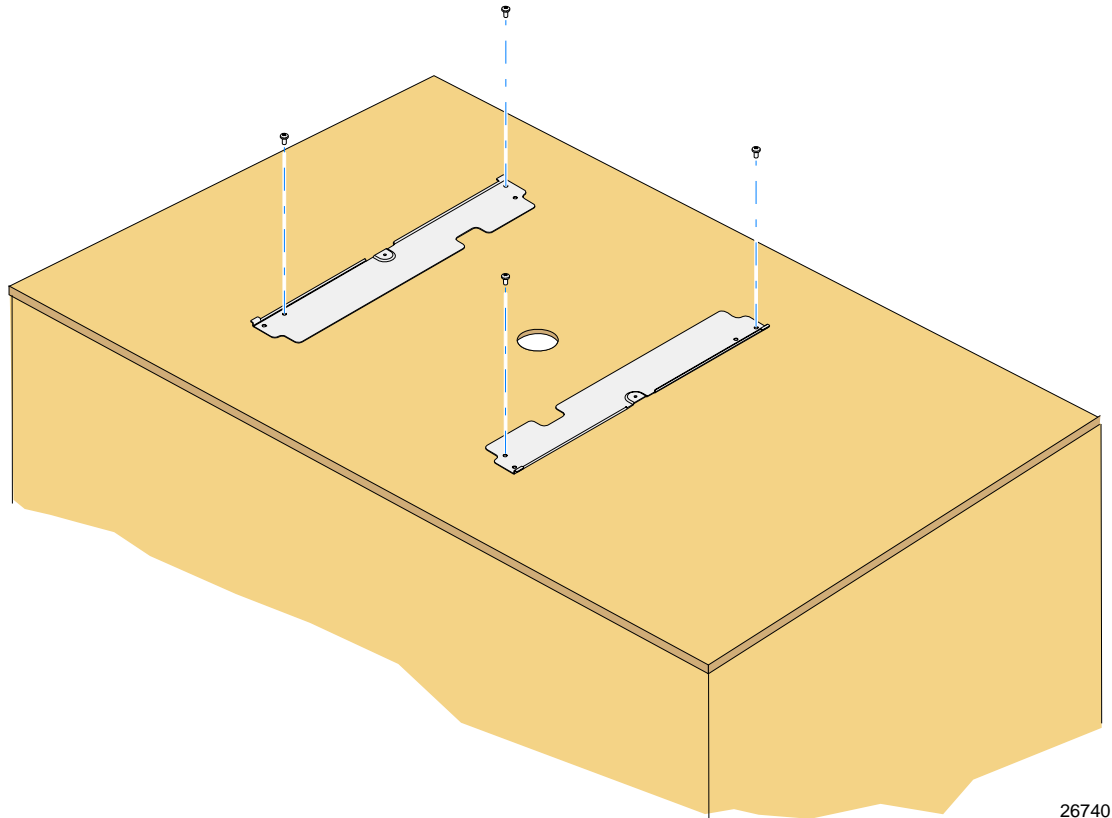
- Hardwood surface – drill 3/32" holes
- Softwood surface – drill 5/64" holes

2. Use the illustration below as a locator guide and drill four holes in the surface.

Note: Allow for space for the Hospitality Tray to overhang the brackets. The tray is shown below as a dotted line around the brackets.

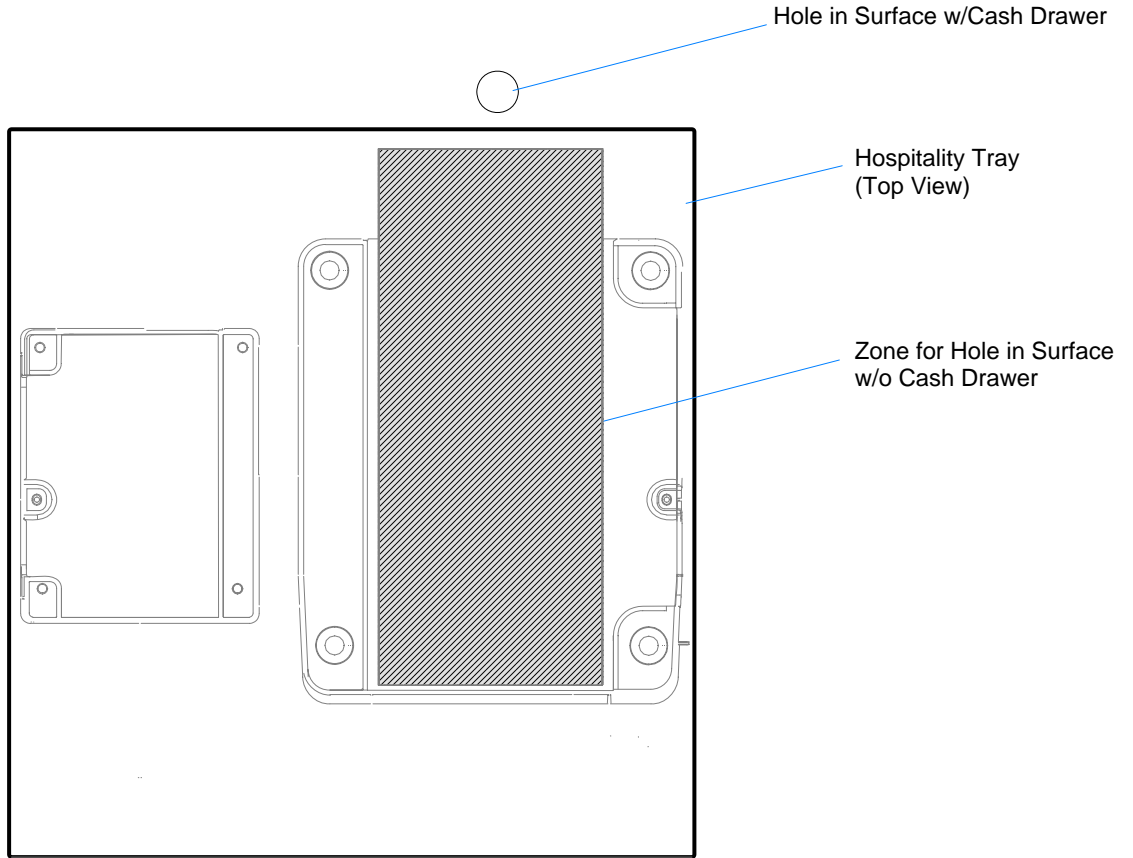


3. Secure the brackets on the surface and with pan head wood screws (4) or appropriate hardware.

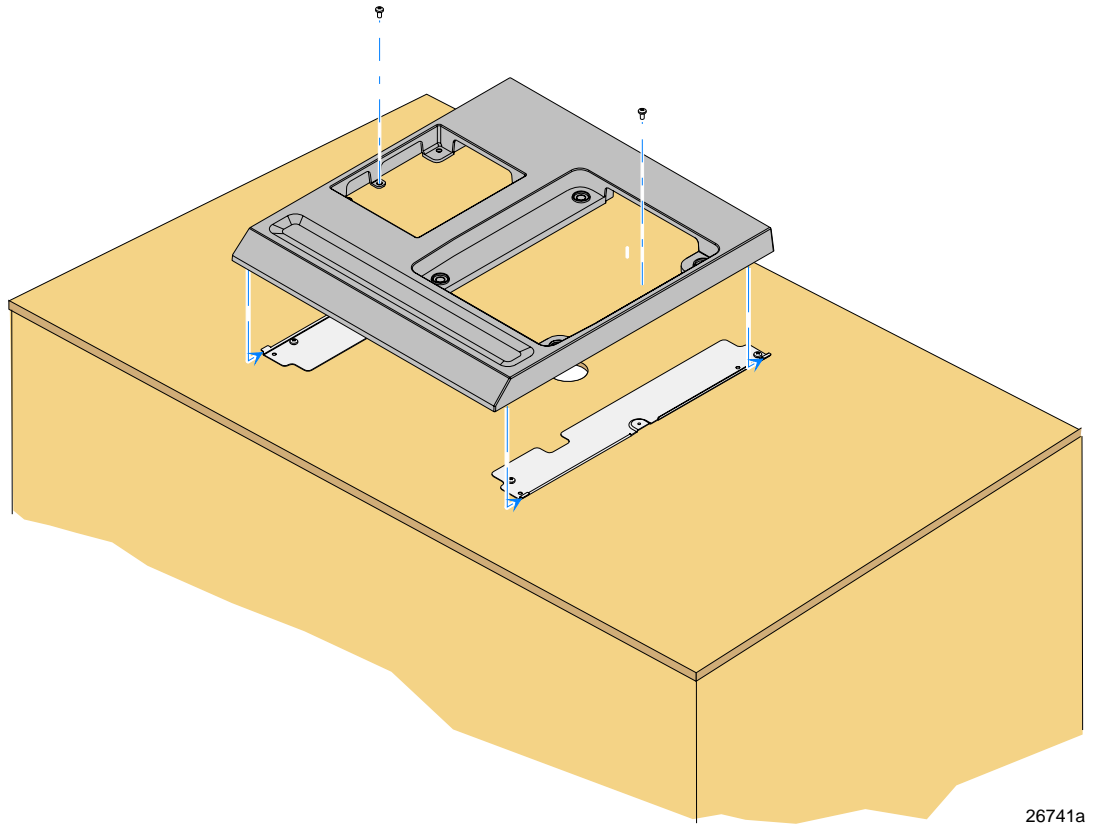


4. Temporarily position the Hospitality Tray on top of the brackets. Mark the location where you prefer to drill a hole in the surface for external cable routing. The hole can be located anywhere within the zone shown below.

Note: If you are installing on a Cash Drawer locate the hole behind the Cash Drawer.



5. Position the Hospitality Tray on top of the brackets slightly forward of the brackets. Slide the tray toward the rear, locking the four tabs on the bottom of the tray under the matching extensions of the brackets. Secure the tray with the supplied screws (2).



26741a

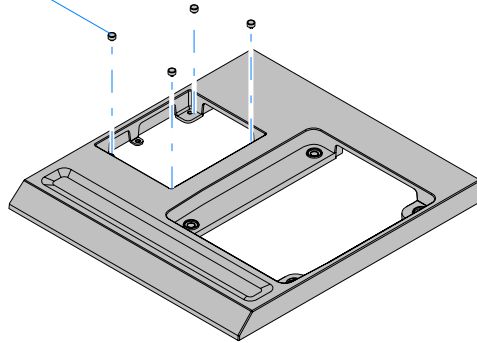
Installing the Transaction Printer

An NCR 7197 or NCR 7198 printer can be integrated using the Hospitality Tray.

1. Route the printer cable(s) through the openings in the Integration Tray as shown below and set the printer in the tray opening.

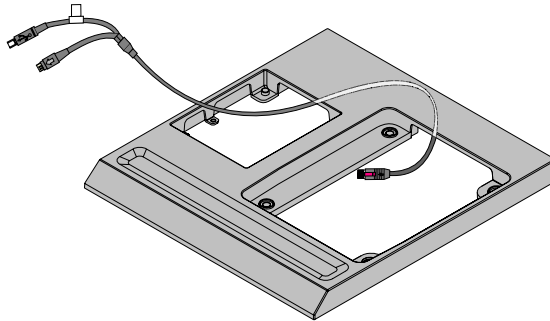
NCR 7168 Only: Install the Printer Feet in the Hospitality Tray. These are needed to elevate the printer to accommodate the cables. The feet are a simple press fit.

Printer Feet



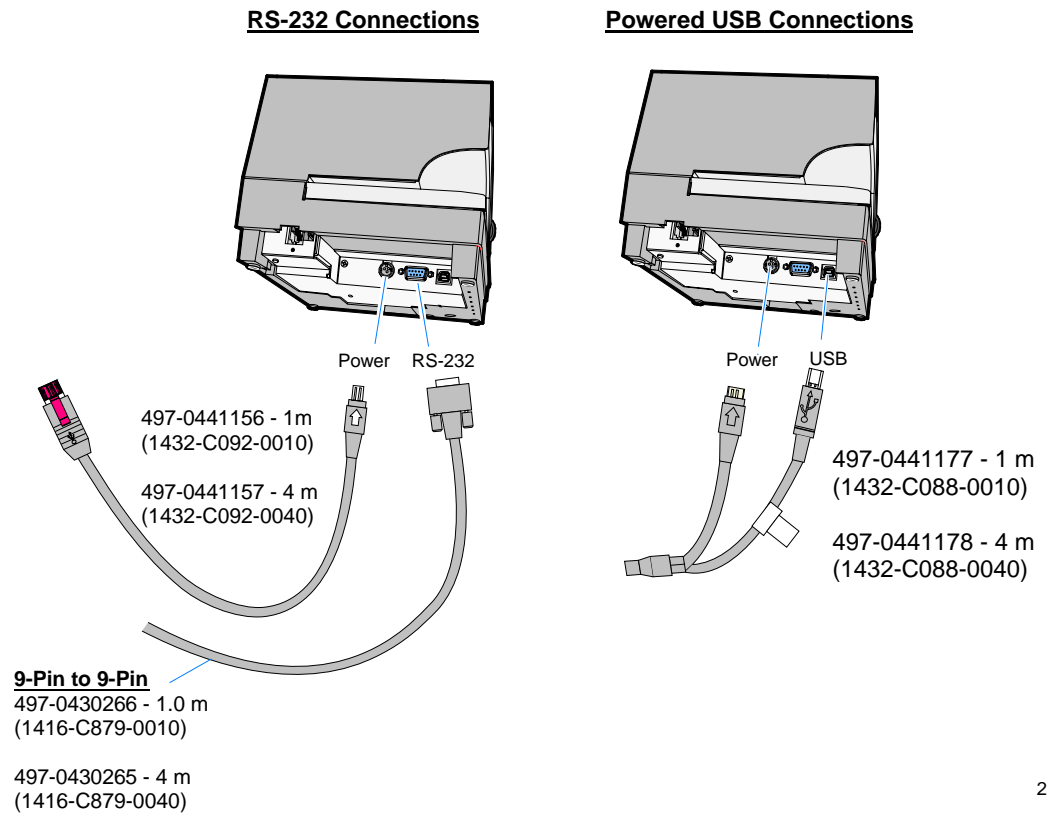
26744

2. Route the Printer Cable(s) from the printer side of the tray to the 7403 side as shown.



26745

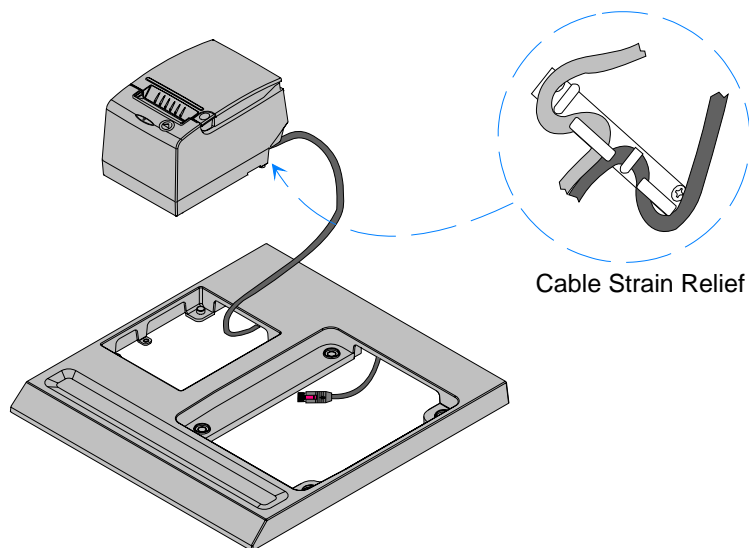
3. Connect the Printer Cable(s) to the printer. Either RS-232 or USB connections can be used.



26746

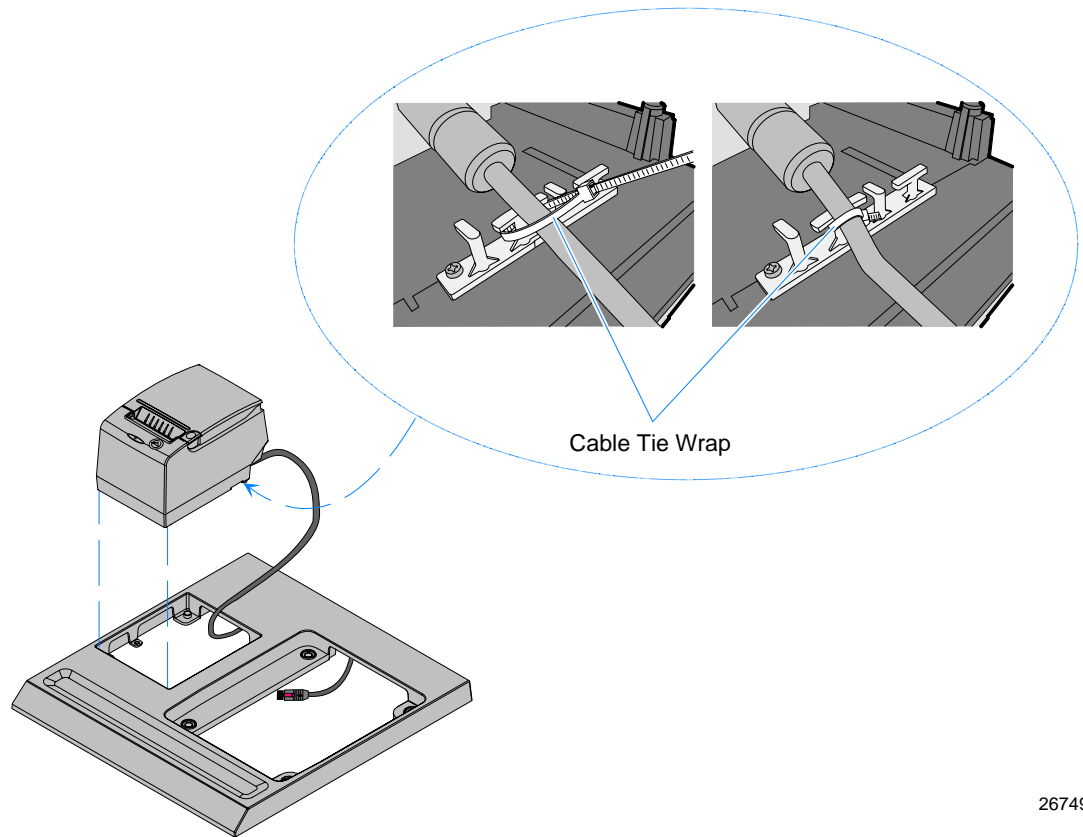
4. Secure the printer cables to the printer.

7197 Printer Only: Secure the printer cable(s) to the Cable Strain Relief on the printer.



26747

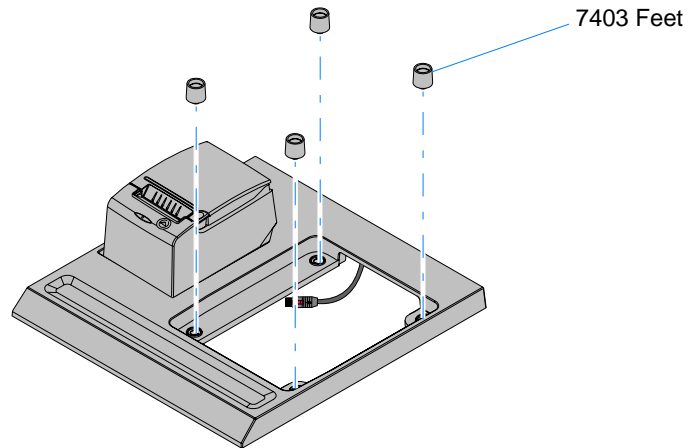
7198 Printer Only: Secure the printer cable(s) to the Cable Stain Relief on the bottom of the printer using a tie wrap.



5. Install the printer in the tray.

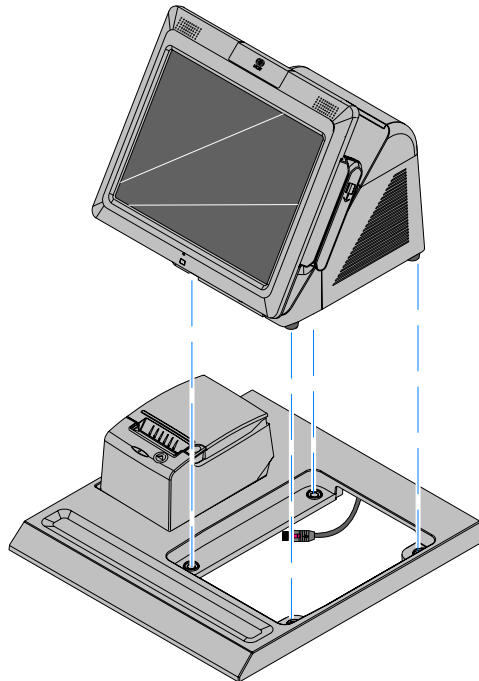
Installing the 7403 Terminal

Note: If the 7403 has an integrated DVD Drive then install the 7403 Feet in the Hospitality Tray. The feet provide the extra elevation for the terminal so the DVD can be accessed. The feet are a simple press fit.



26748

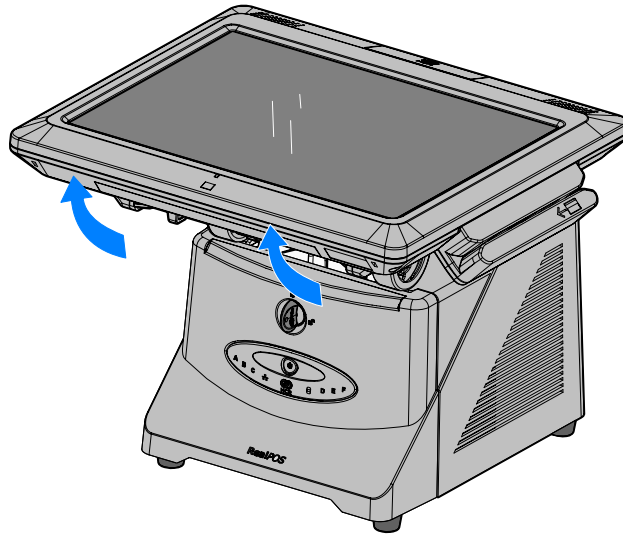
1. Place the 7403 terminal on the 7403 Integration Tray Adapter.



26750

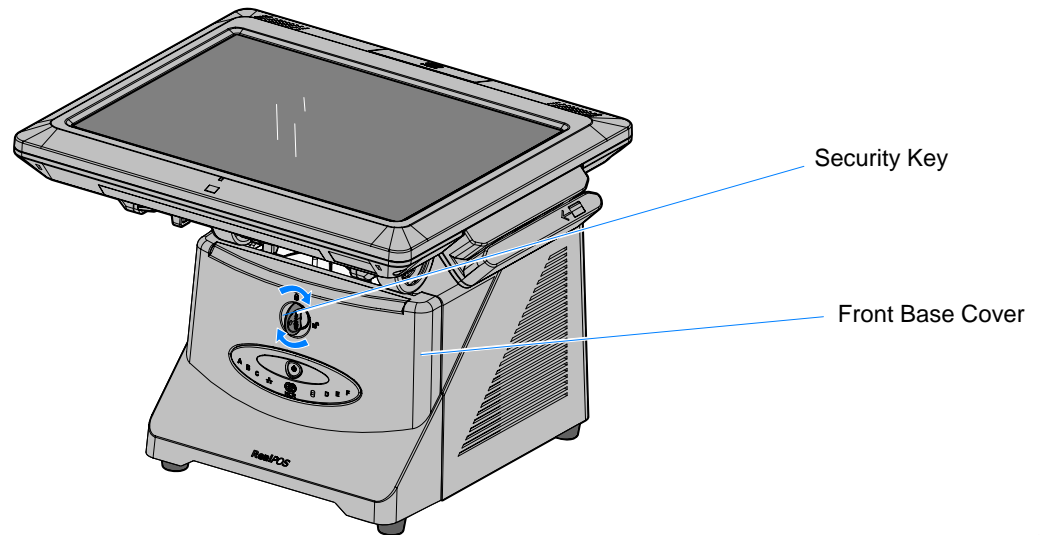
Connecting the External Cables to the 7403

1. Tilt the Display Module.



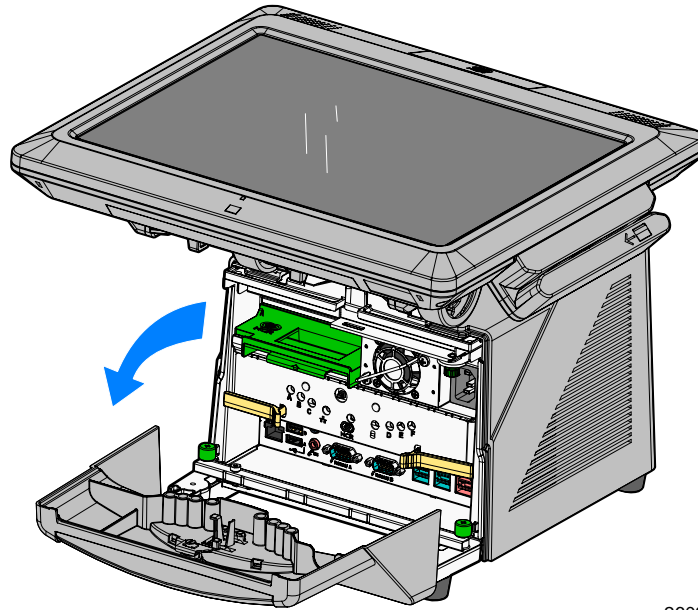
26031a

2. Remove the Front Cover.
 - a. Insert the Security Key and turn it 90 degrees clockwise.



26124a

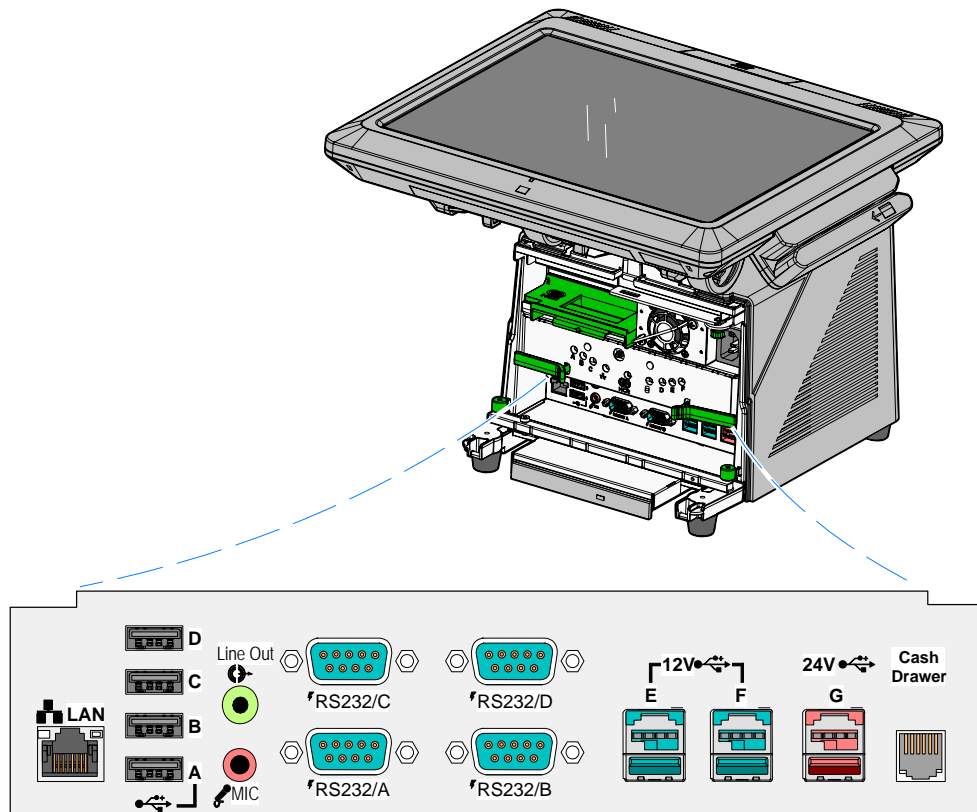
- b. Pivot the top of the Front Cover toward the front of the unit and remove it from the terminal.



26032a

Connector I/O Panel

1. Connect the printer and LAN cables to the I/O panel.



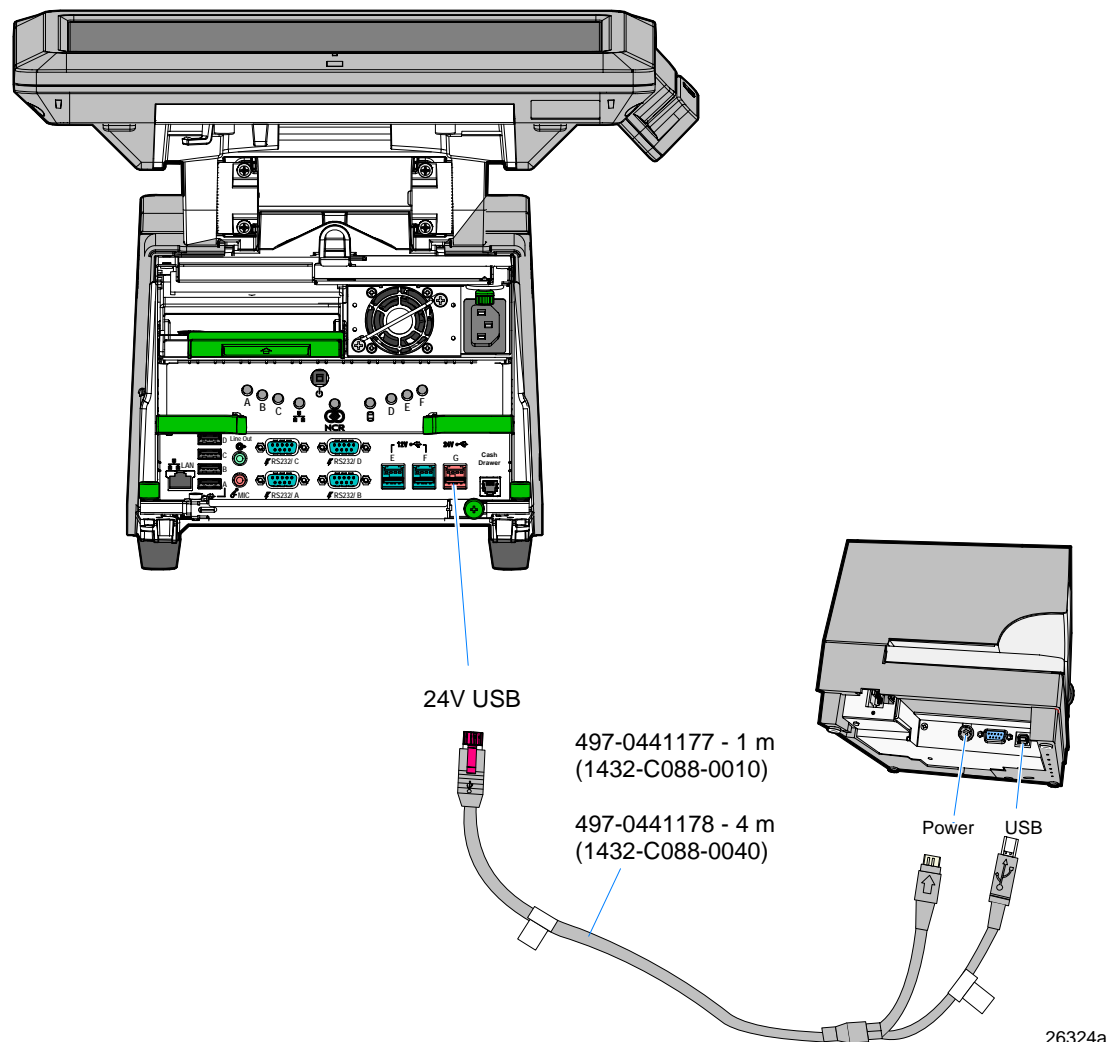
26297

Printer Cable Connections

The printers can connect through a USB connector or an RS-232 connector. It receives power through a Powered USB power cable.

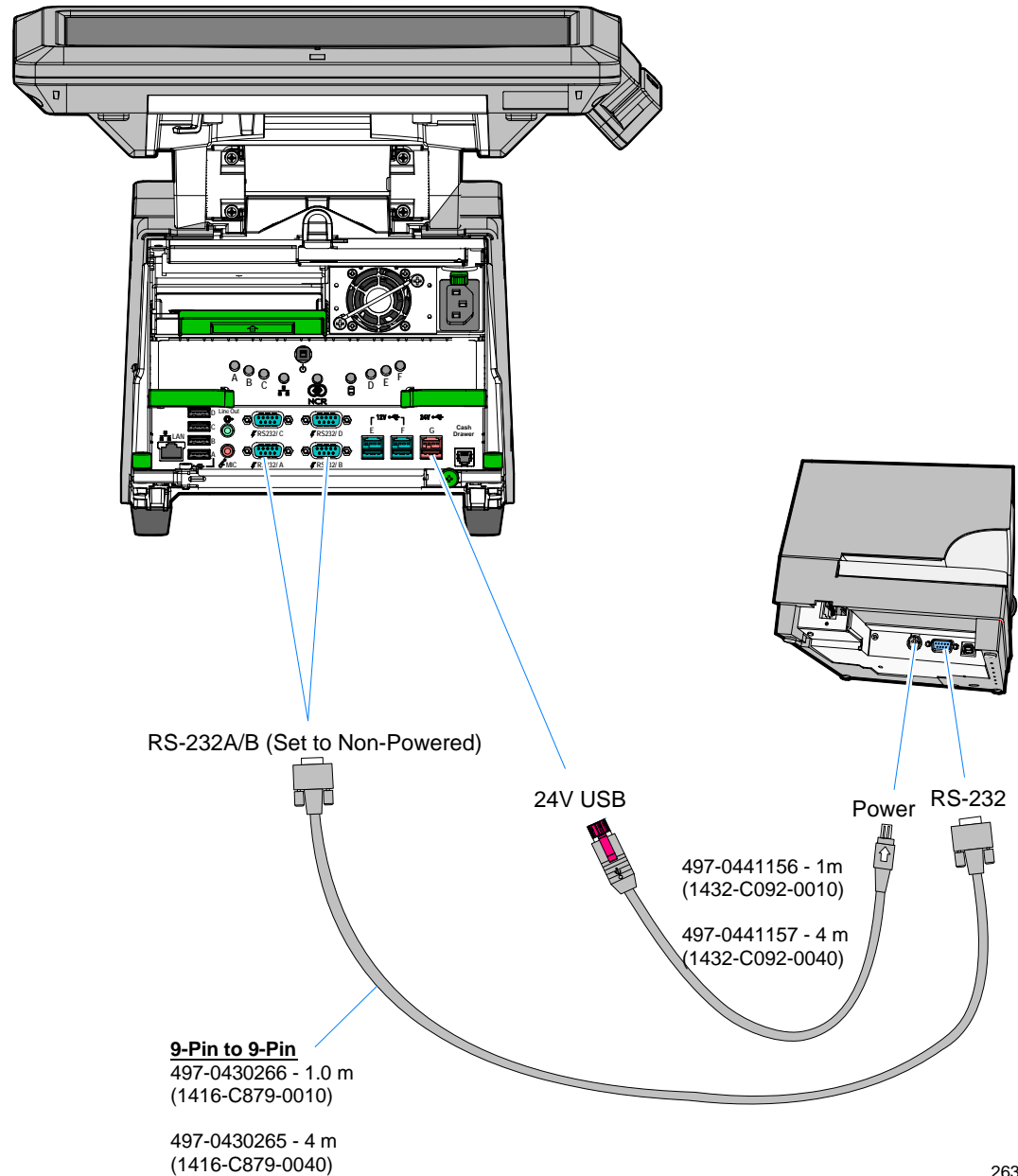
USB Installation

Connect the Powered USB Printer Interface Cable to the *USB Connector* and *Power Connector* on the printer and to the *24 V Powered USB Connector* on the terminal.



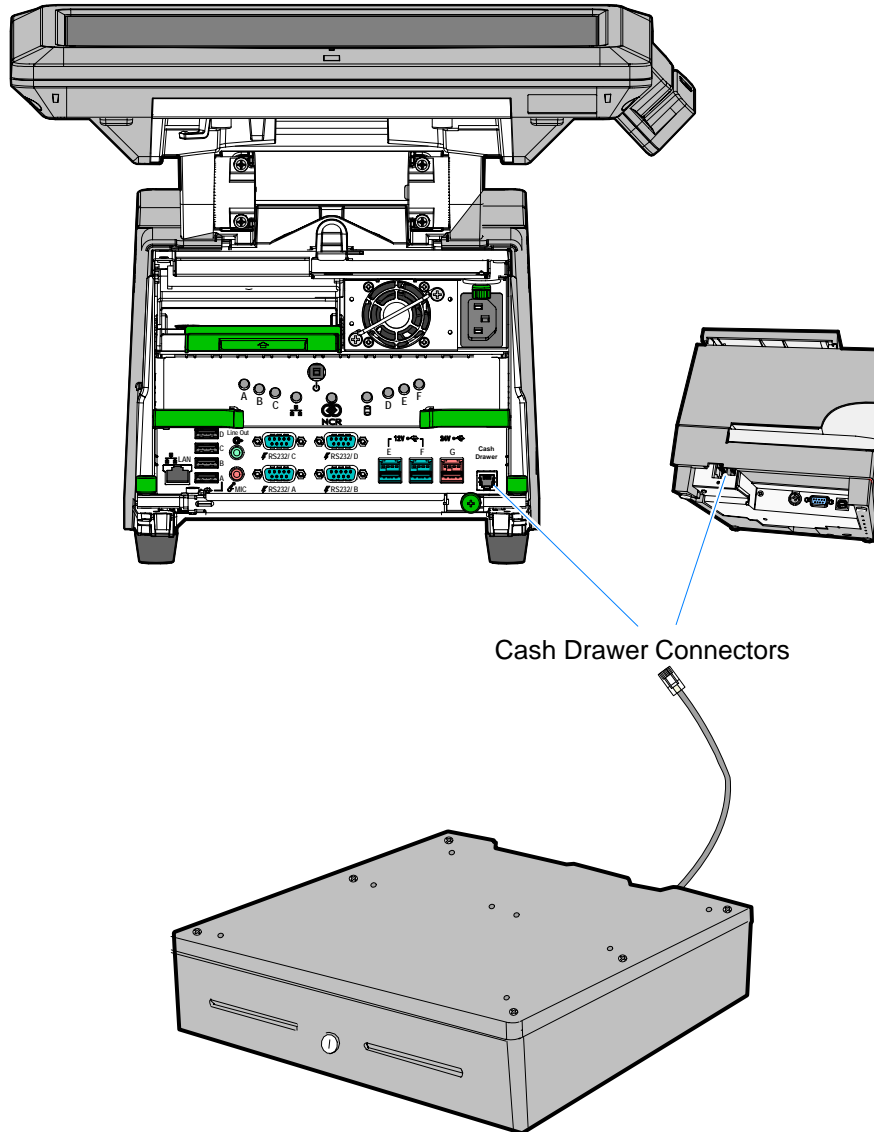
RS-232 Installation w/Power from Powered USB

1. Connect the RS-232 Printer Interface Cable to the *RS-232 Connector* on the printer and to an *RS-232 Connector* on the terminal.
2. Connect the Printer Power Cable to the *Power Connector* on the printer and to the *24 V Powered USB Connector* on the terminal.



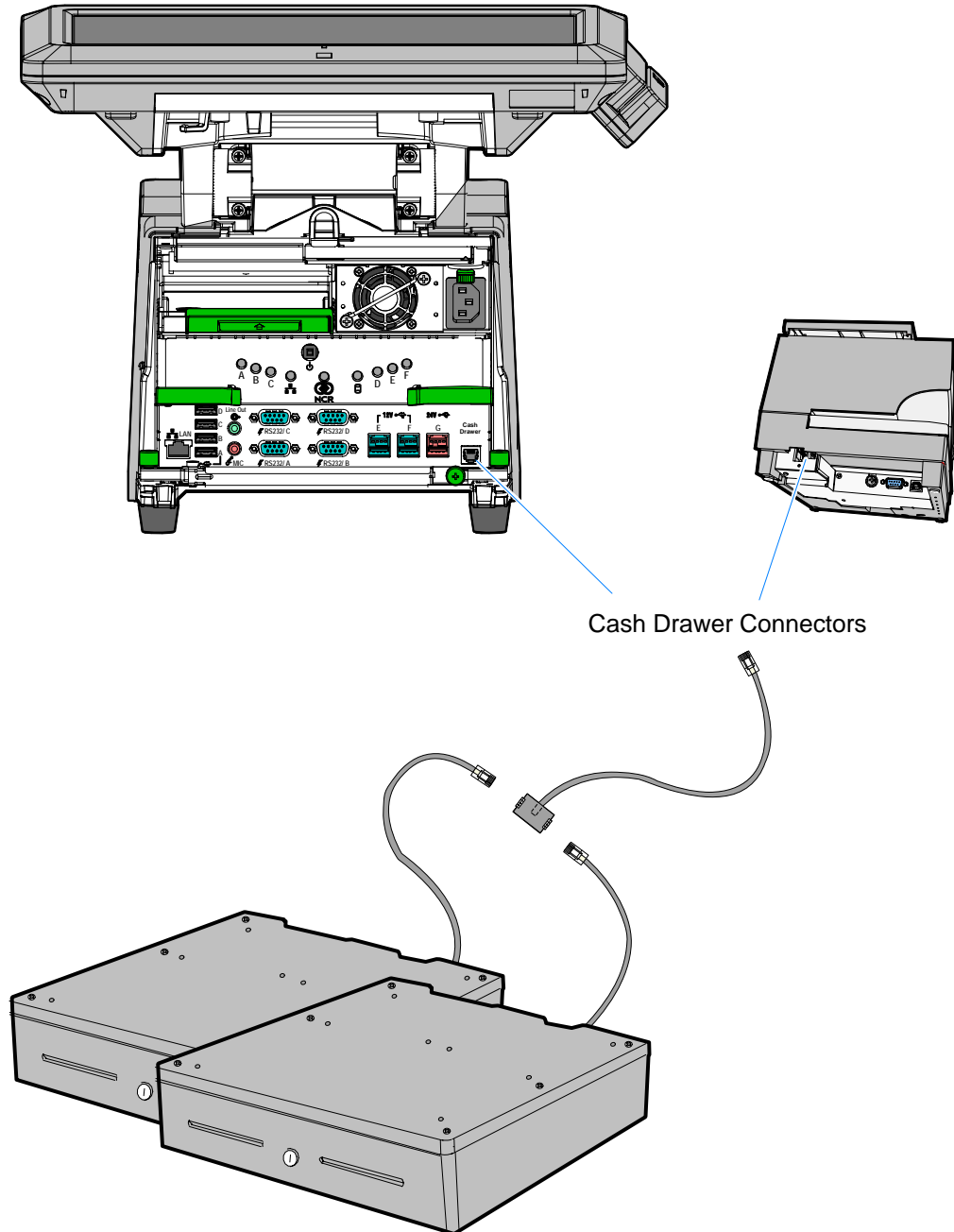
Cash Drawer Cable Connections

The Cash Drawer can be installed remotely or integrated with the terminal. It can be connected to the Cash Drawer connector on the terminal or to the transaction printer Cash Drawer Kickout.



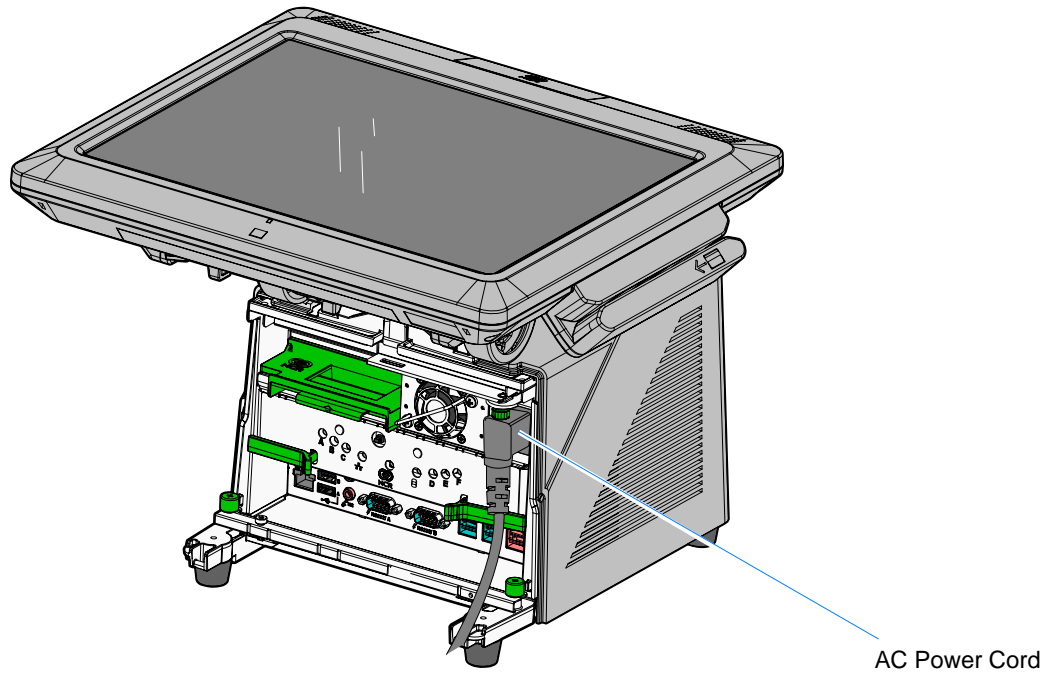
Second Cash Drawer Cable Connection

The terminal supports a 2-drawer configuration with a Y-cable (1416-C372-0006). Connect the Y-cable to the terminal or transaction printer cash drawer connector.



AC Power Cord Connection

1. Attach the Power Cord to the system and to an AC power source.

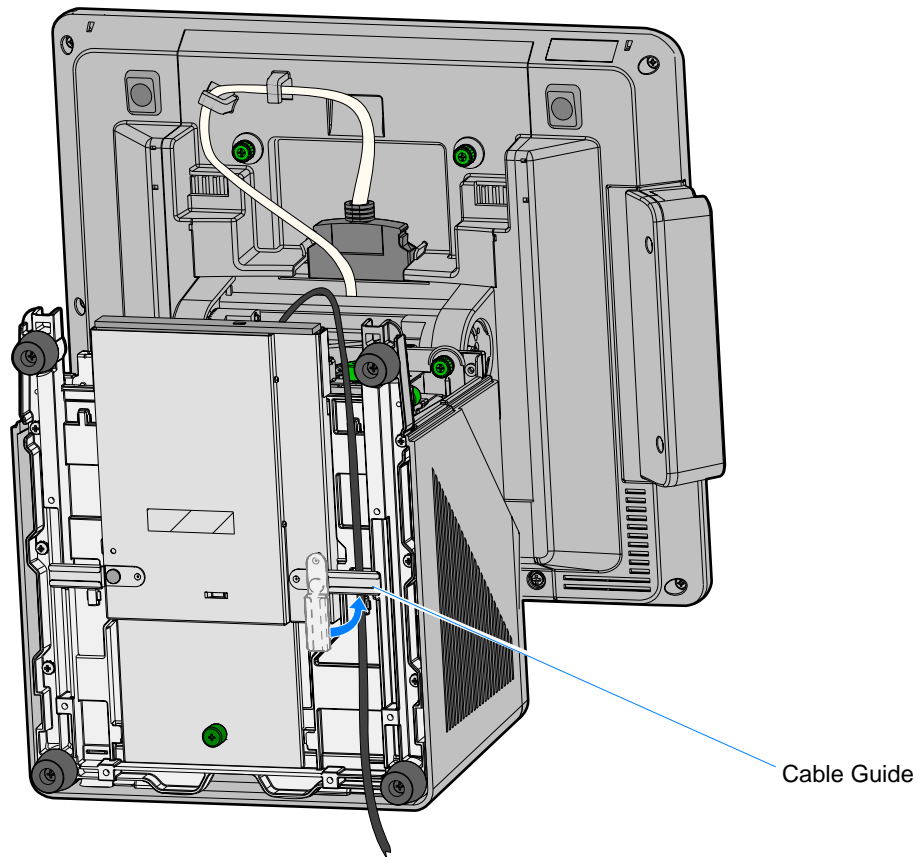


Cable Routing

The 7403 cables are routed under the base and into the Hospitality Tray. There are two ways to secure the cables.

Terminal Configured with a DVD-ROM Drive

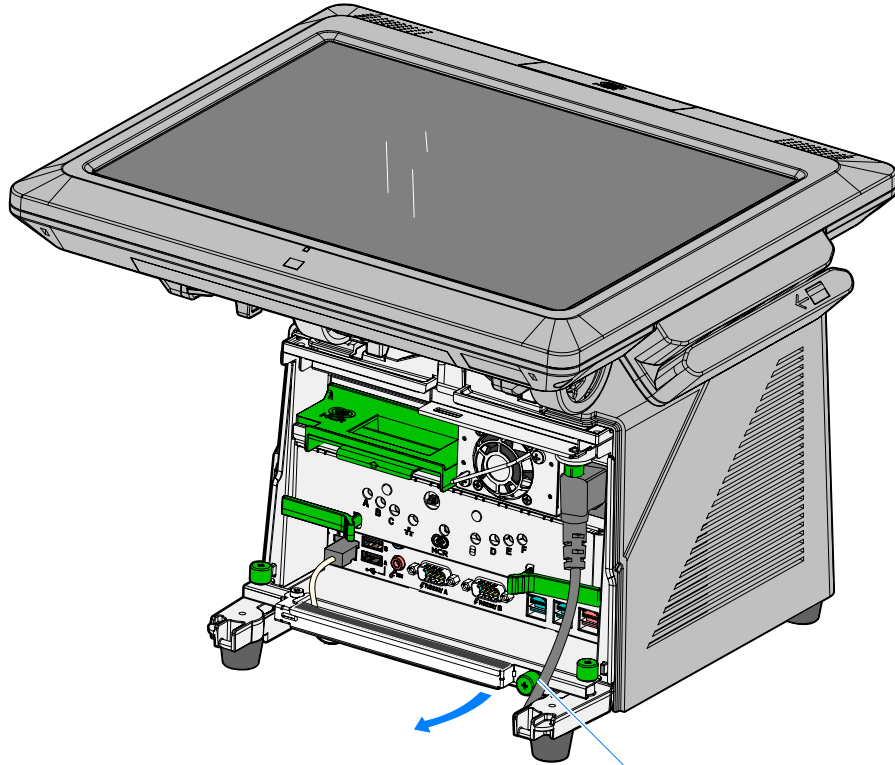
If configured with a DVD the cables are routed in the two channels in the bottom of the Base. There are pivoting latches that keep the cables secured in the channels.



Terminal without a DVD-ROM Drive

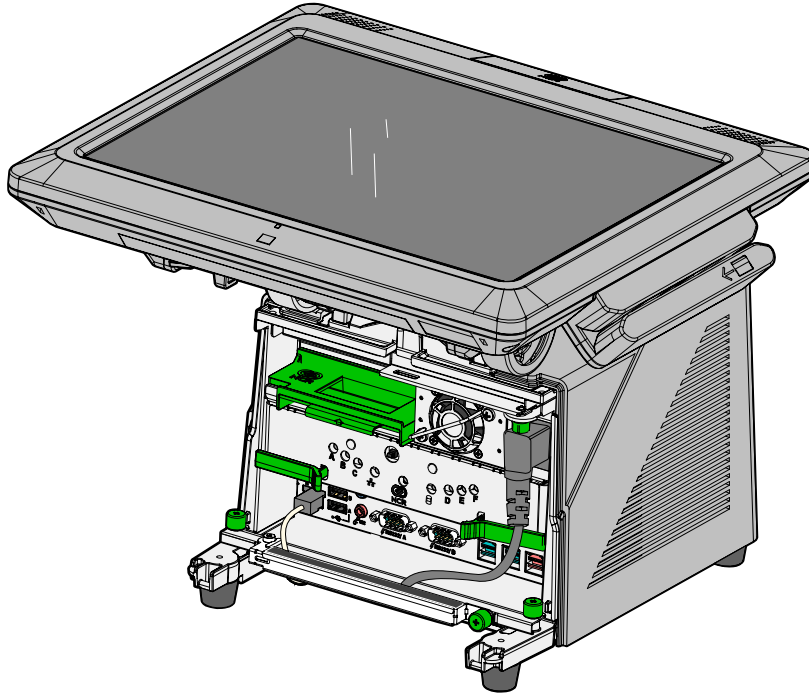
If there is no DVD present then there is an additional Cable Clamp on the front of the Base chassis that is used to secure the cables.

1. Loosen the Cable Clamp Thumbscrew
2. Pivot the clamp away from the terminal.



Cable Clamp Thumbscrew

3. Route the cables between the clamp and base.

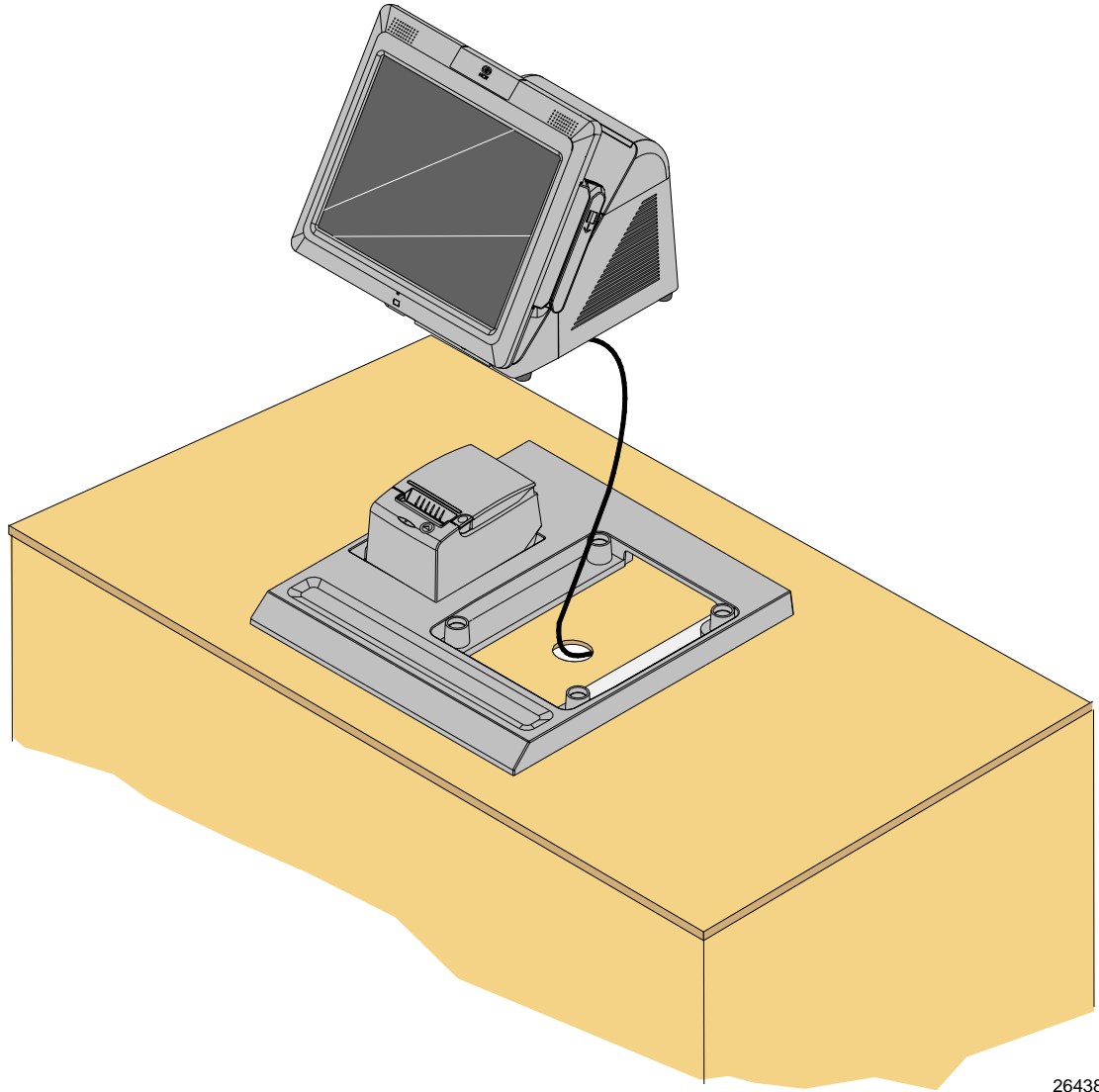


26135b

4. Secure the Cable Clamp Thumbscrew.

External Cable Routing

Integration Tray Only: The cables are routed under the terminal, through the Integration Tray, and through the hole in the surface.



Integration Tray and Cash Drawer: The cables are routed under the terminal, through the Integration Tray, through the opening in the back of the cash drawer, and down through the hole in the surface.

