

7403-K321

# Display Wall Mount

Kit Instructions



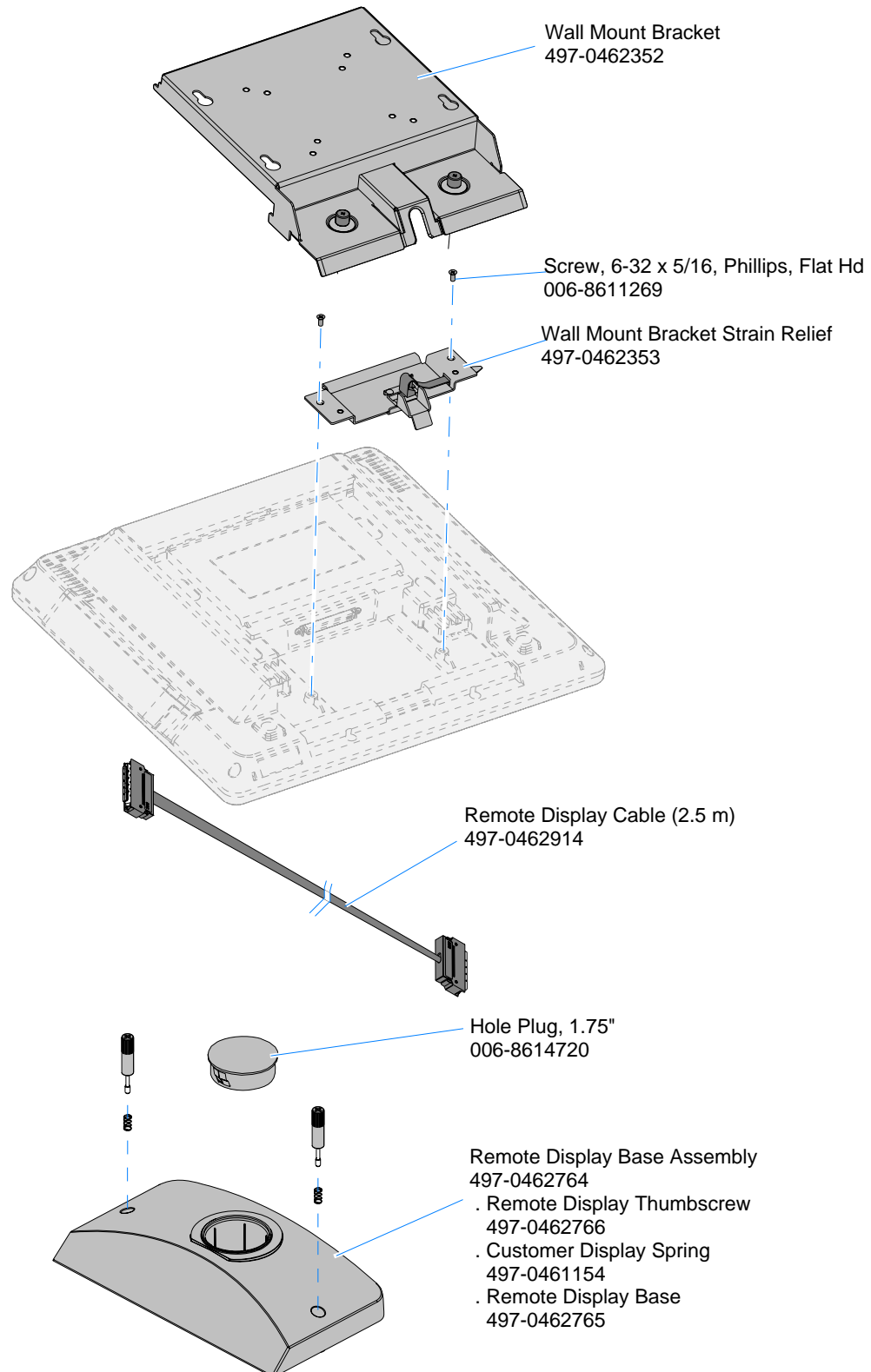
Issue A

## Revision Record

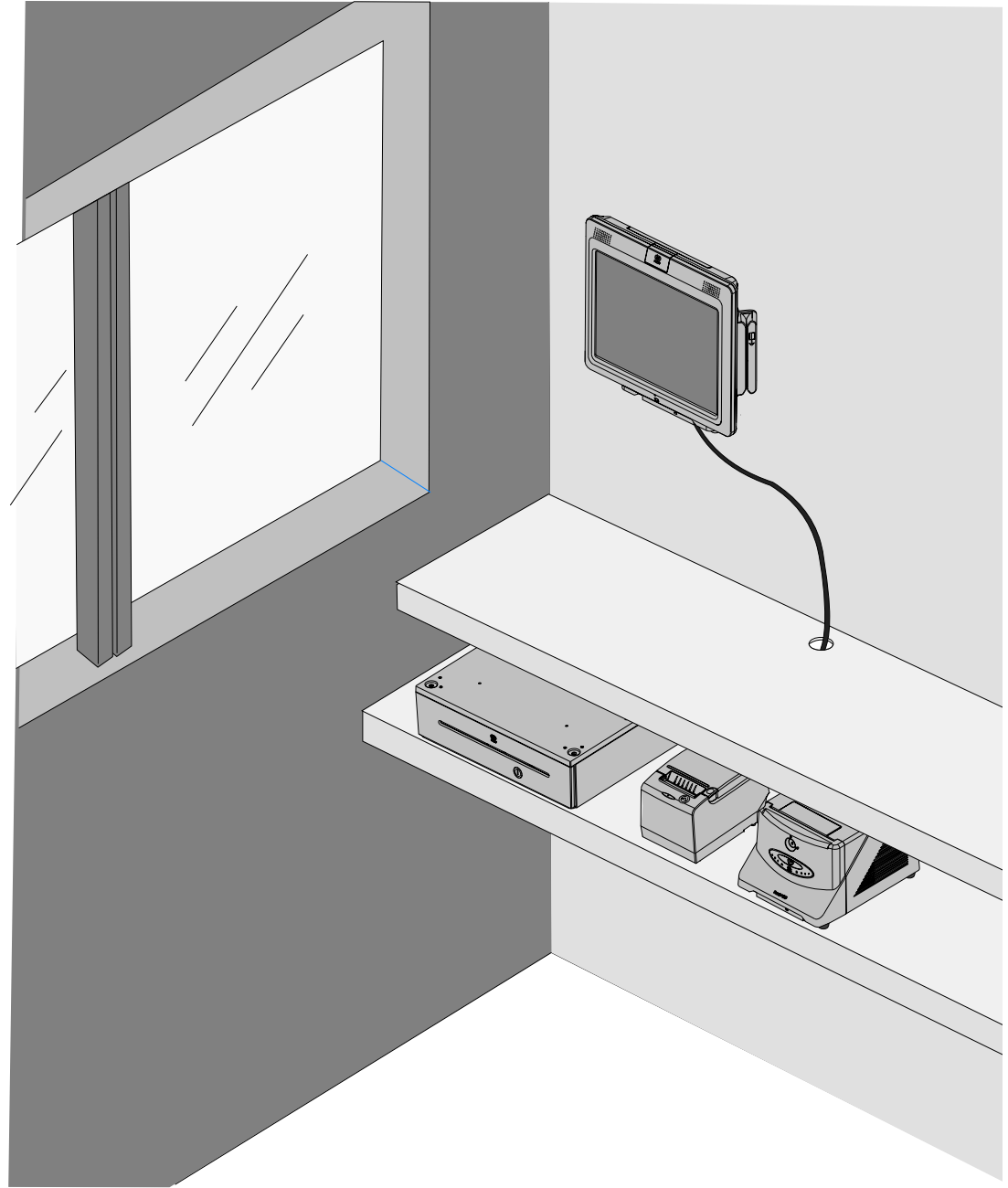
Issue	Date	Remarks
A	Nov 2008	First issue

# Introduction

This kit is used in to secure a 7403 Display Head on a vertical surface.

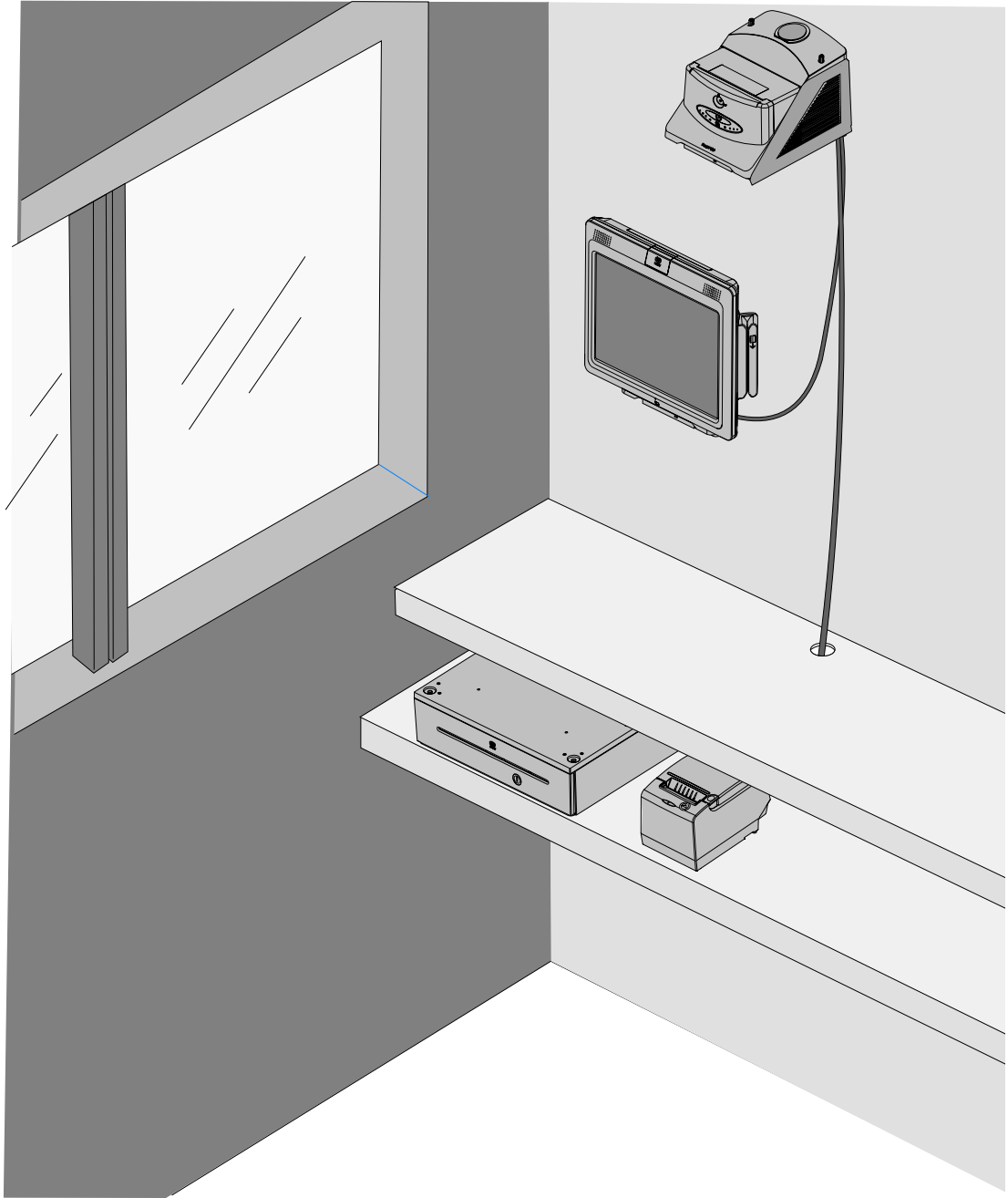


# Typical Installations



26407

*Electronics Box Stored on a Shelf*

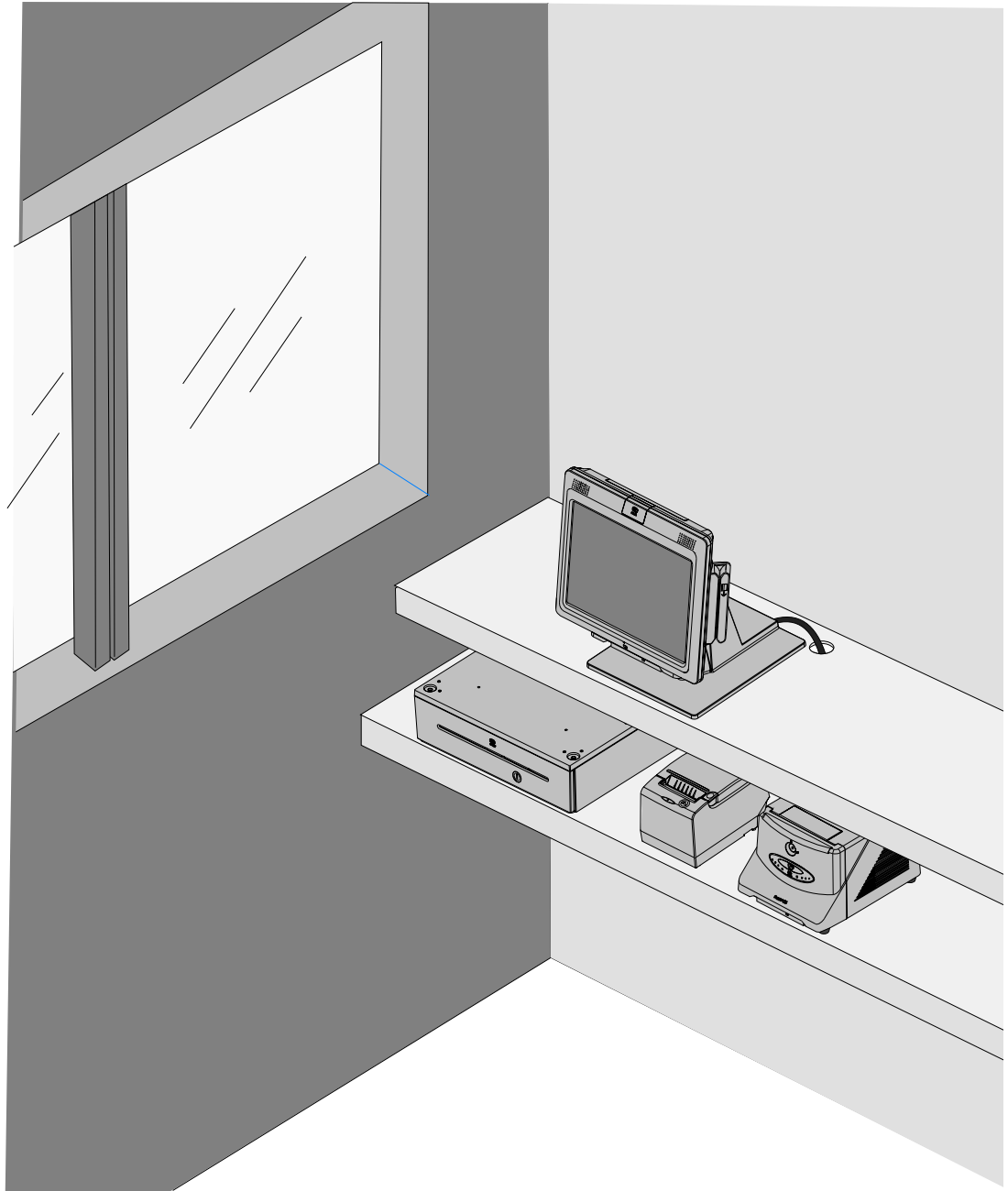


26417a

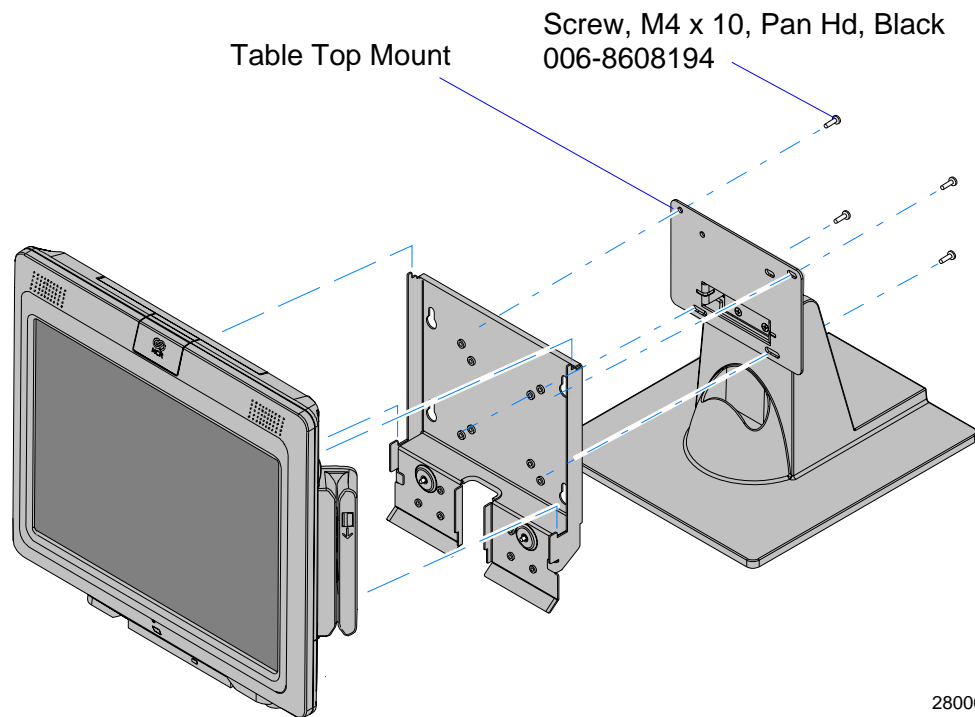
Electronics Box Wall Mounted Using 7403-K320

## Table-Top Mount

Since the Wall Bracket has a Vesa mounting pattern it can be used to install the 7403 Display Head on any table top mount which has a Vesa hole pattern.

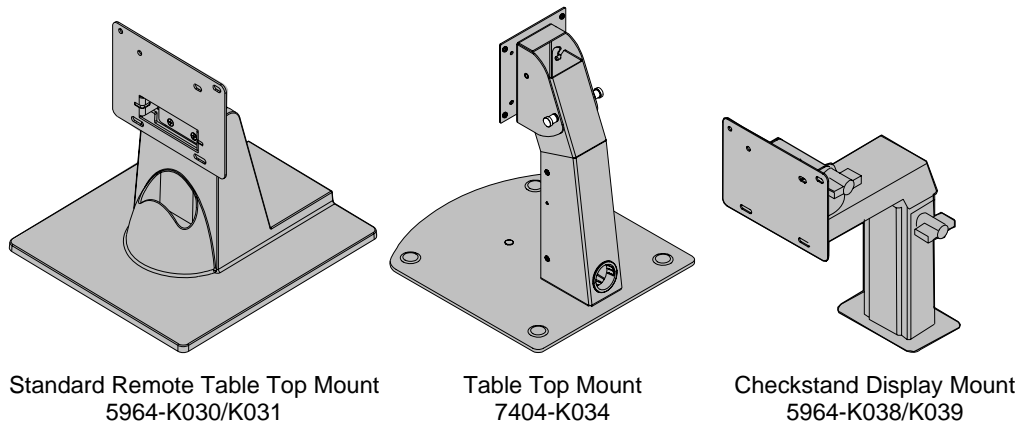


First install the Wall Bracket on the Display Head as described in this document. Then install the Table Top Mount using 4 screws.



### *NCR Table Top Mounts*

NCR offers three Table Top Mounts with Vesa hole patterns. See the kit instructions for installation procedures.



## Wireless Feature Consideration

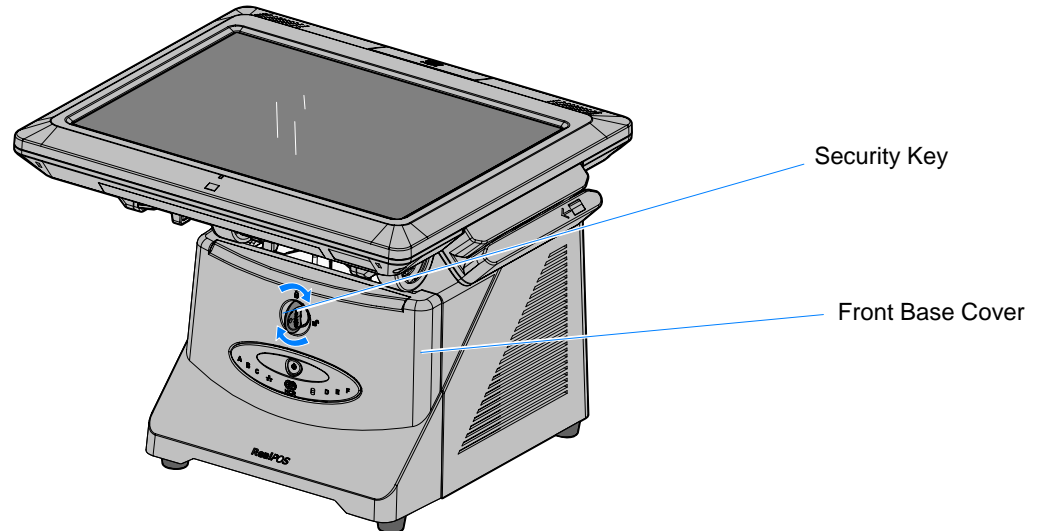
The Head mounted USB Wireless Client feature is not recommended in the remote head configuration. If the wireless feature is desired you can use the USB Cable Stand included in the Wireless Client kit and connect to one of the USB ports on the 7403 I/O Board.





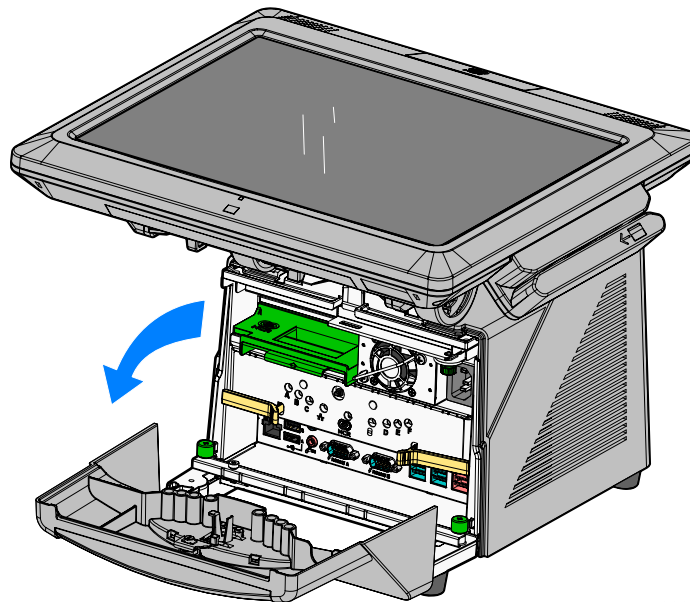
# Installation Procedure

1. Remove the Front Cover.
  - a. Insert the Security Key and turn it 90 degrees clockwise.



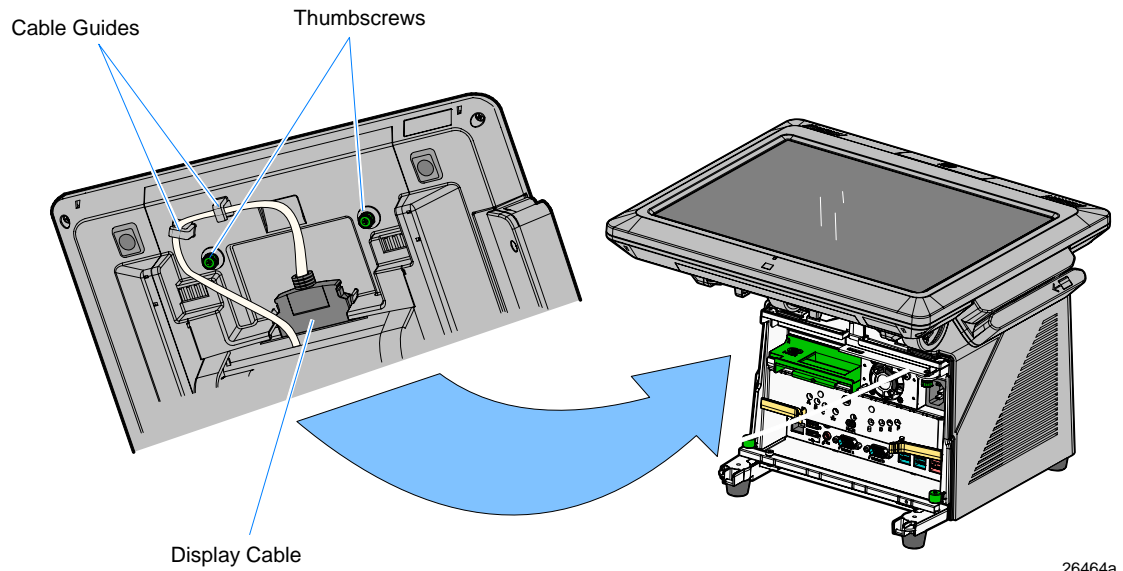
26124a

- b. Pivot the top of the Front Base Cover toward the front of the unit and remove it from the terminal.

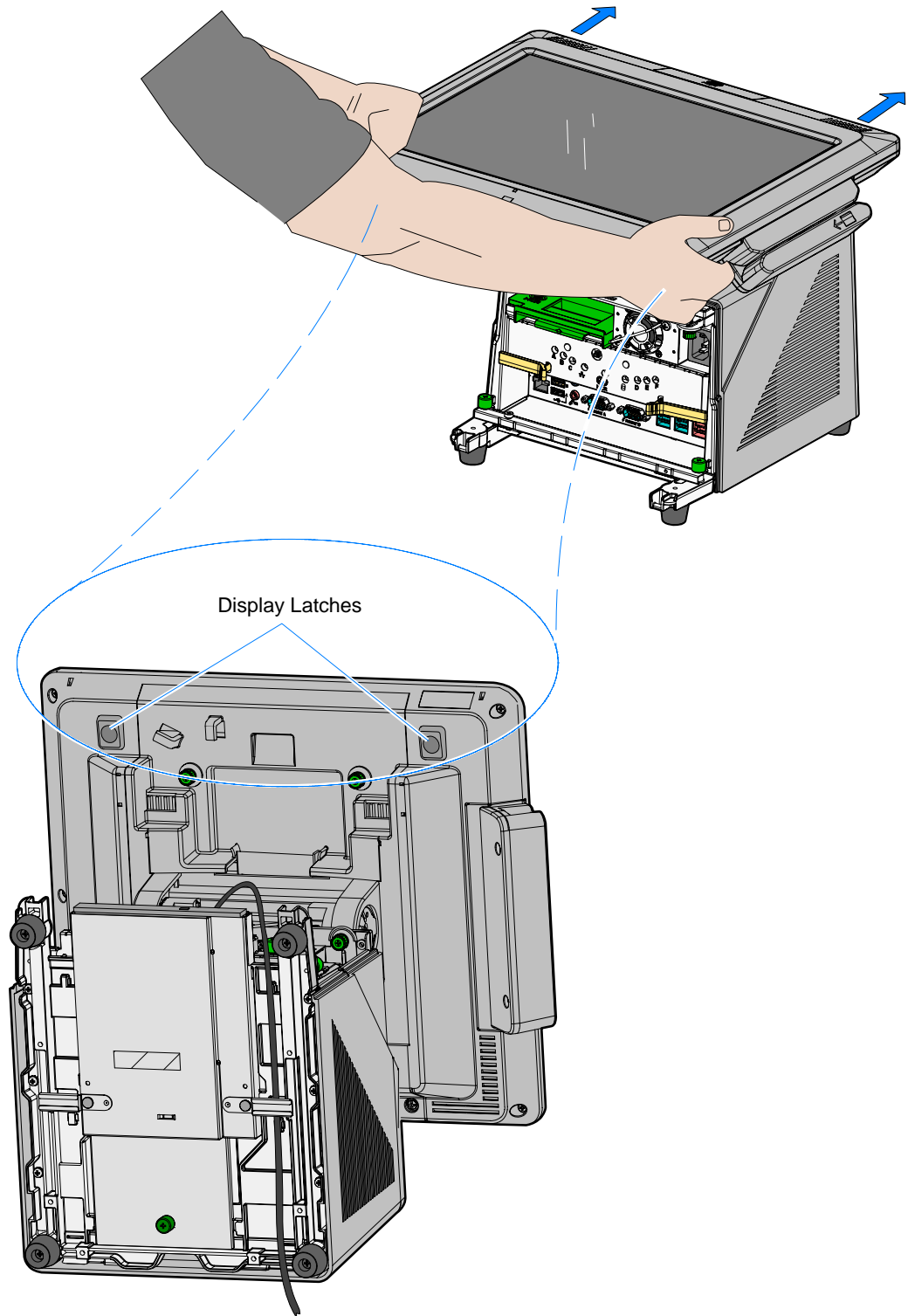


26032a

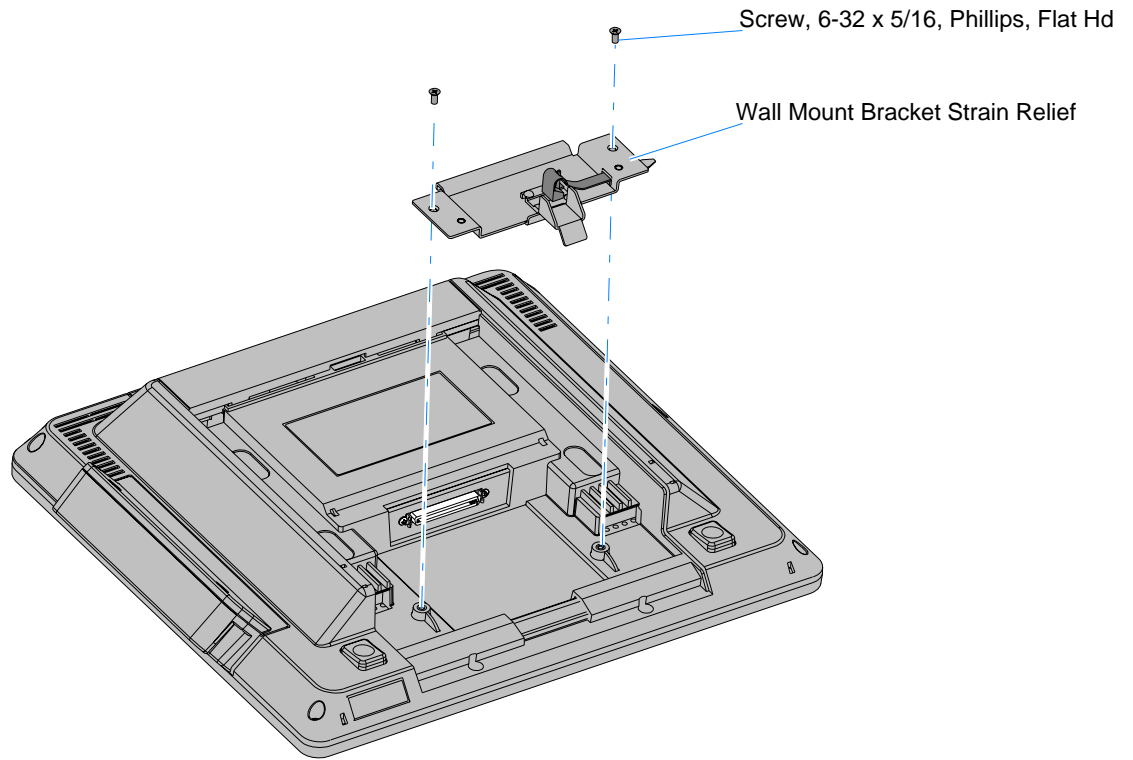
2. Remove the Display Head from the Base.
  - a. Release the Display Cable from the Cable Guides.
  - b. Disconnect the Display Cable (squeeze the sides of the connector).
  - c. Loosen the Display thumbscrews (2).



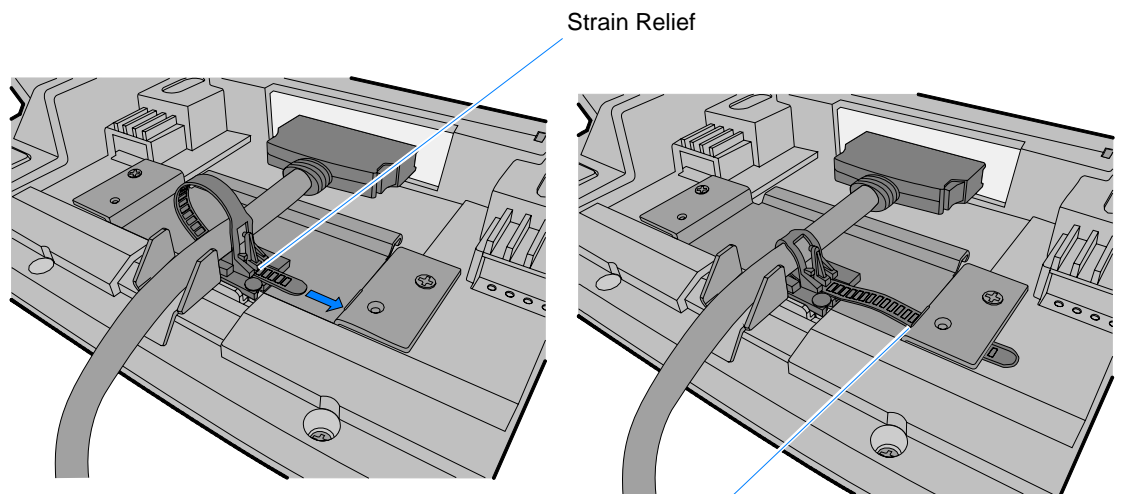
- d. Depress the Display Release Latches (2) and slide the Display Head toward the rear of the terminal to disengage it from the chassis.



3. Install the Wall Mount Bracket Strain Relief on the back of the 7403 (2 screws).



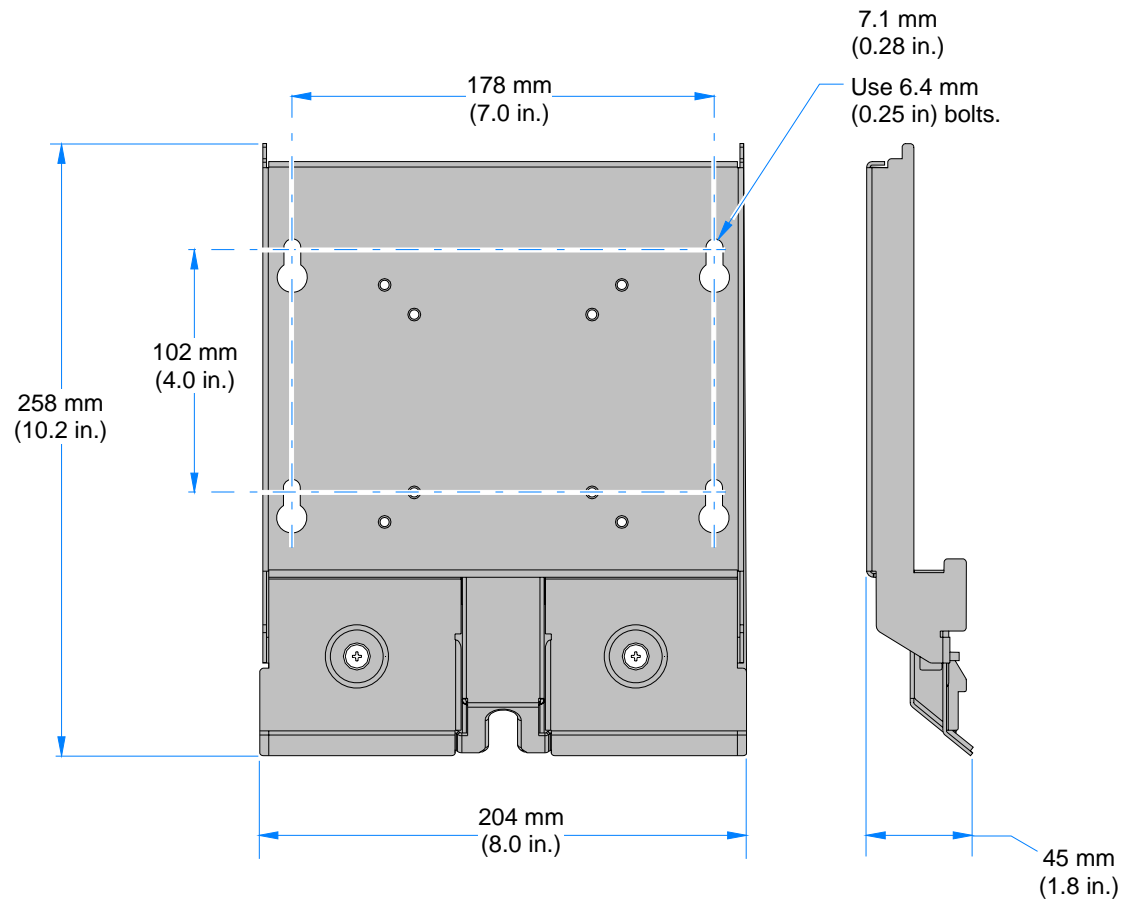
4. Connect the Remote Display Cable to the 7403 and secure it with the Cable Strain Relief. After tightening the Strain Relief insert the end of the strap into the slot in the bracket so it will not interfere when the terminal is mounted on the Wall Bracket.



Insert the end of the Strain Relief strap into slot.

5. Secure the Wall Mount Bracket to a vertical surface using lag screws (4). Use the bracket as a template to mark the location of the holes or use the dimensions shown below.

**Note:** Make sure you install the screws into the studs or that you use hardware of similar strength.

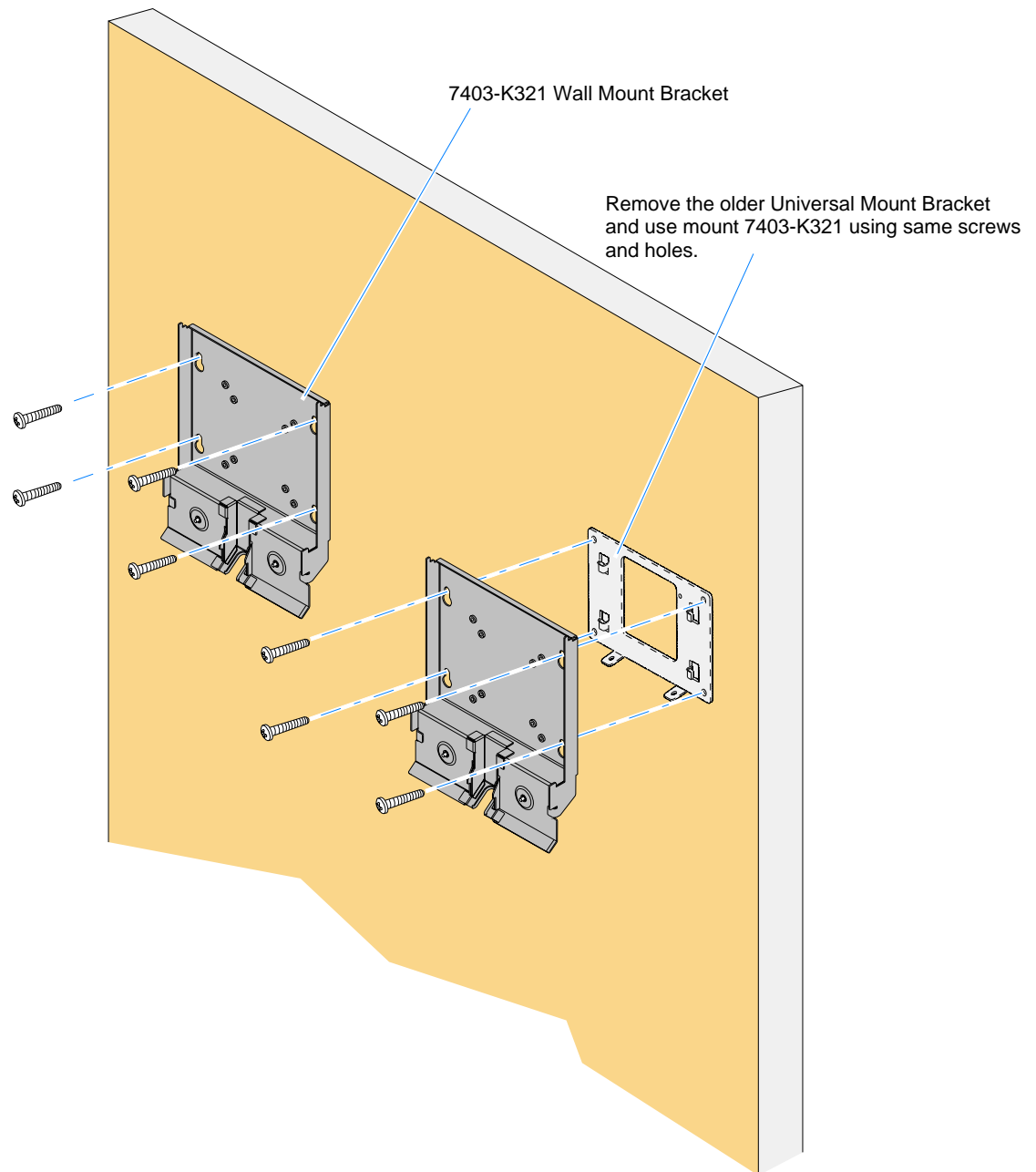


26411

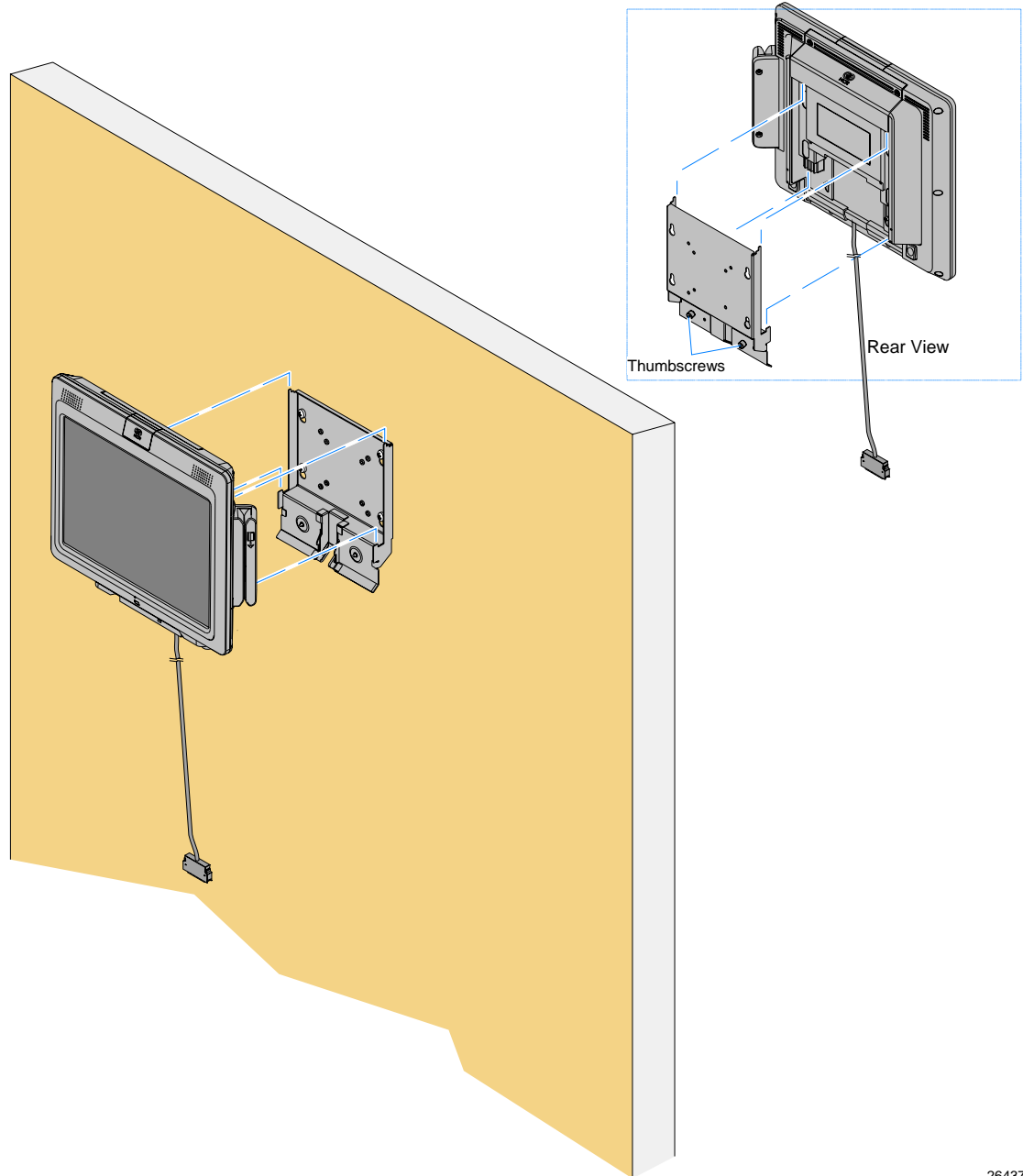
**Note:** The Wall Mount Bracket also has standard VESA mounting holes that can be used to mount the 7403 on various VESA mounts, such as swing arms.

**Note:** The Wall Mount Bracket has the same hole pattern as older Universal Mount Brackets (7402-K562, 7402-K522, and 7401-K533). Therefore if you are replacing a terminal that is mounted on a Universal Mount Bracket then simply remove the bracket and install the Wall Mount Bracket using the same screws and mounting holes.

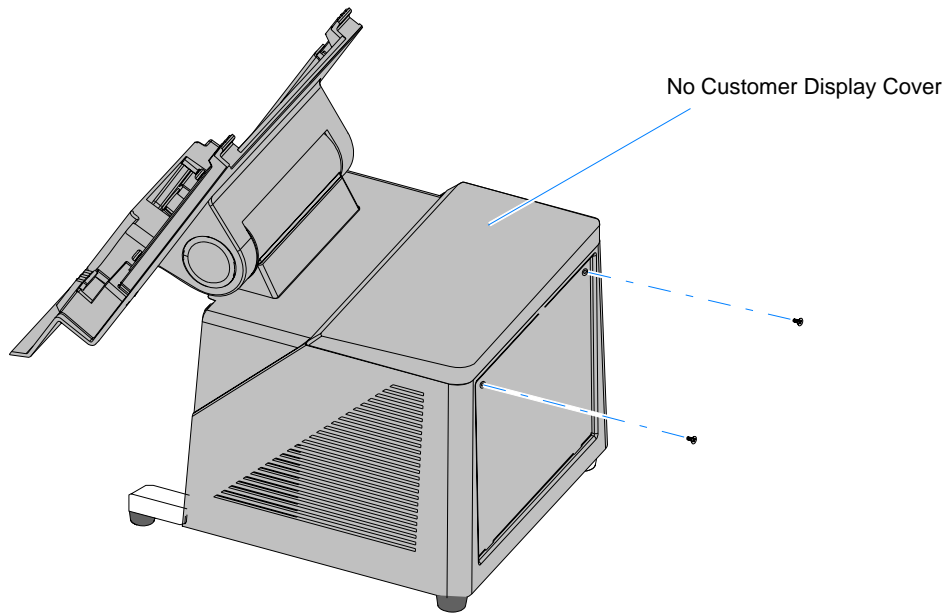
**Note:** The recommended viewing height for the terminal is 1.2 m (48 in.) from the floor.



6. Hang the 7403 on the Wall Bracket
  - a. Align the terminal so the extensions on the Wall Bracket can be inserted into the openings on the back of the terminal.
  - b. Secure the terminal by moving it downward onto the bracket extensions.
  - c. Lock the assembly in position by tightening the thumbscrews (2).



7. Remove the No Customer Display Cover (2 screws) from the 7409 Base.

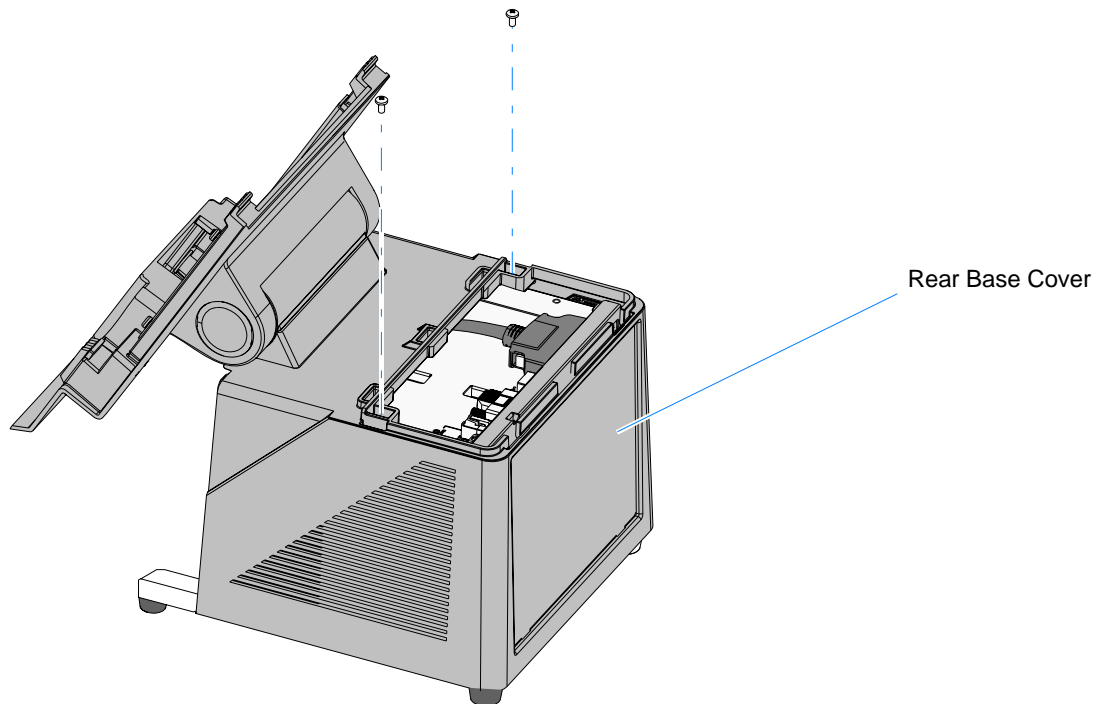


26917b

### Optional Back Cover

The Hinge Assembly can be removed and the Rear Base Cover can be replaced with a more cosmetic appealing 7403-K325 No Hinge Base Cover, if desired. Otherwise, skip to Step 12.

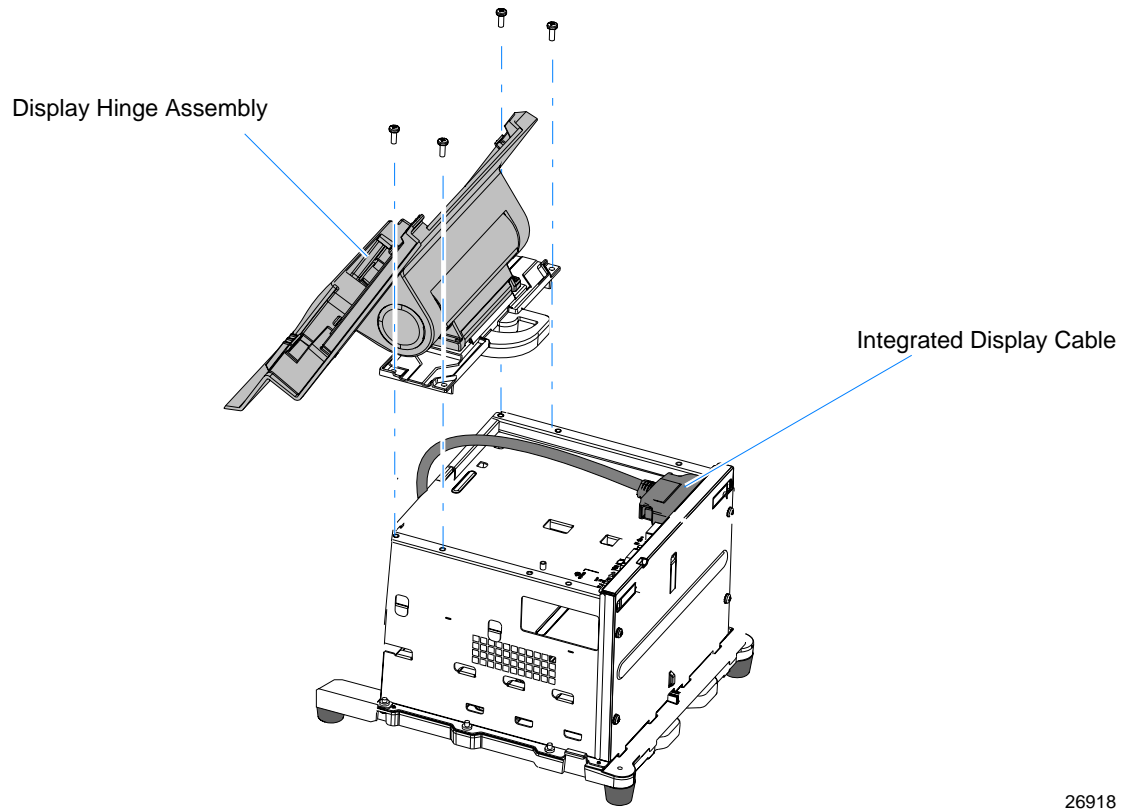
8. Remove the Rear Base Cover (2 screws).



26921

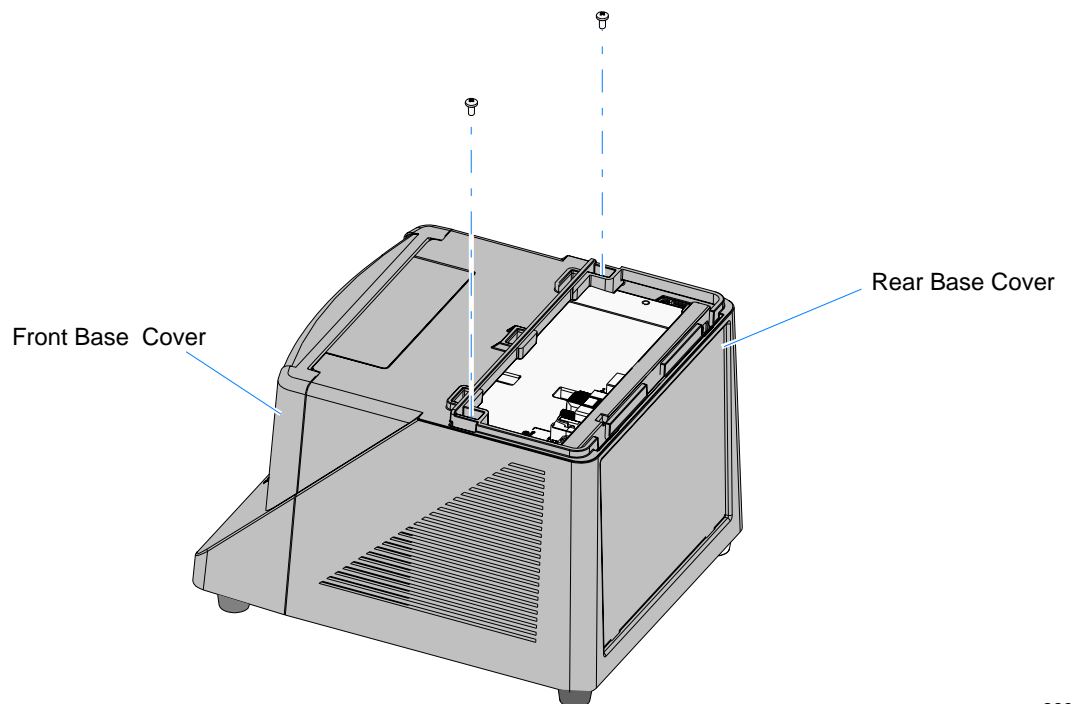


9. Remove the Display Hinge Assembly (4 screws).



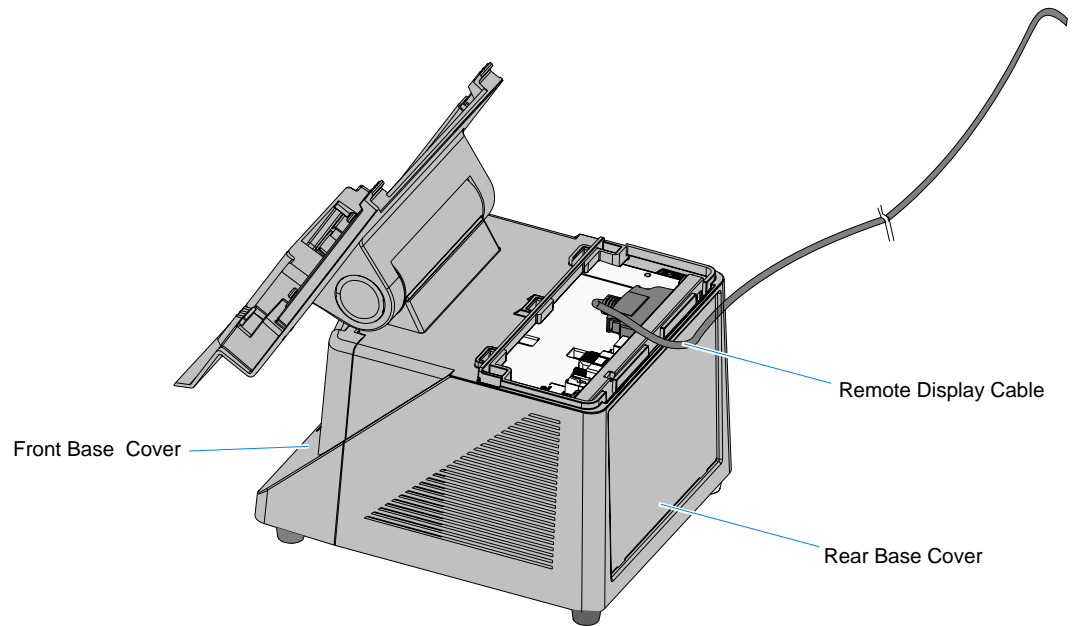
26918

10. Disconnect and remove the Integrated Display Cable.
11. Install the 7403-K325 Rear Base Cover and secure it with screws (2).



26923

12. Install the Front Base Cover and secure it by locking the Security Key.
13. Connect the Remote Display Cable to the 7403 Electronics Assembly.



14. Install the Remote Display Base (2 captive screws in base, 2 screws in from the rear of the unit).

**Note:** The Remote Display Cable is routed out through the slot in the Remote Display Base.

15. Insert the Hole Plug into the top of the Remote Display Base.

