

7403-K325

# **No Hinge Base Cover**

Kit Instructions



Issue A

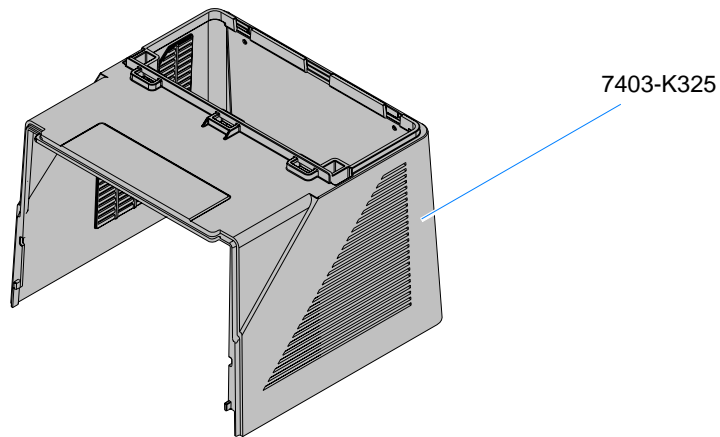
## Revision Record

Issue	Date	Remarks
A	Nov 2008	First issue

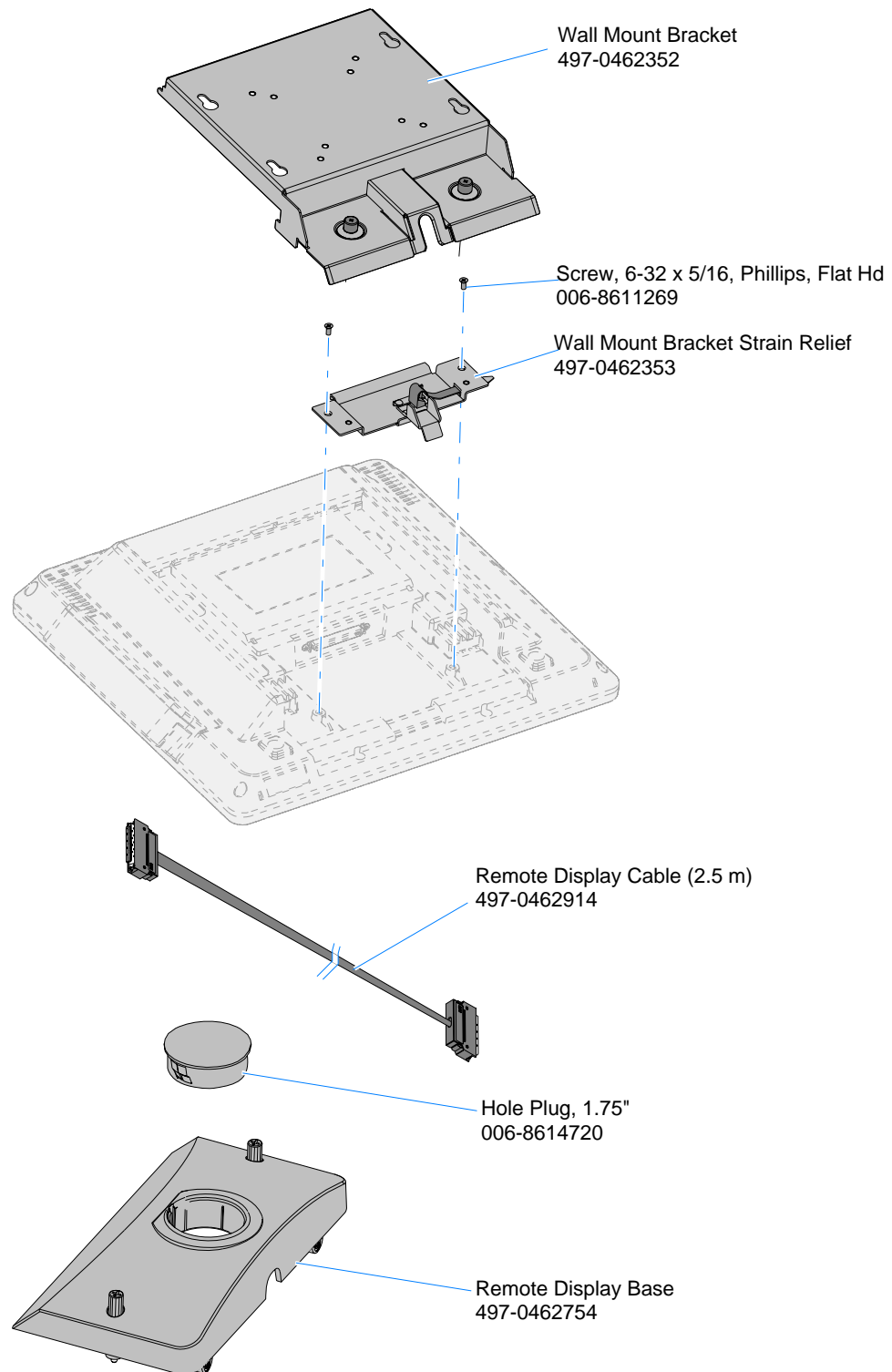
## Introduction

This kit provides a replacement Rear Base Cover for the 7403 that seals the hinge area for a more pleasing cosmetic appearance of the unit when using the Display Wall Mount kit (7403-K321) to locate the Display Head remotely.

### 7403-K325 Components

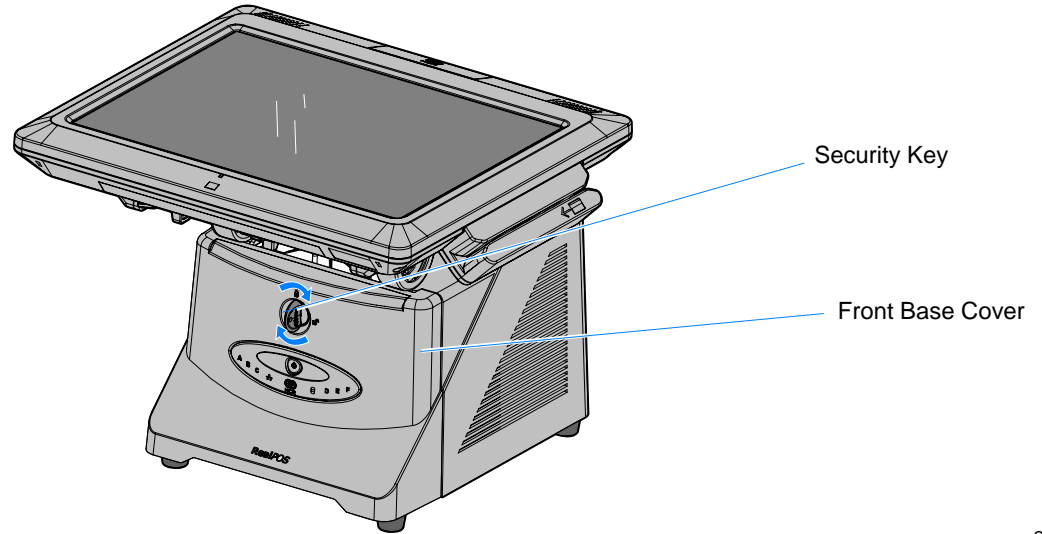


### 7403-K321 Components



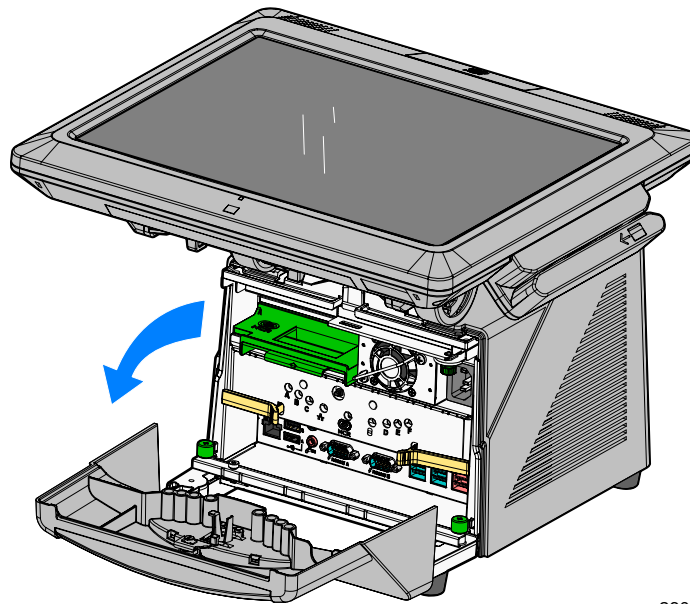
# Installation Procedure

1. Remove the Front Cover.
  - a. Insert the Security Key and turn it 90 degrees clockwise.



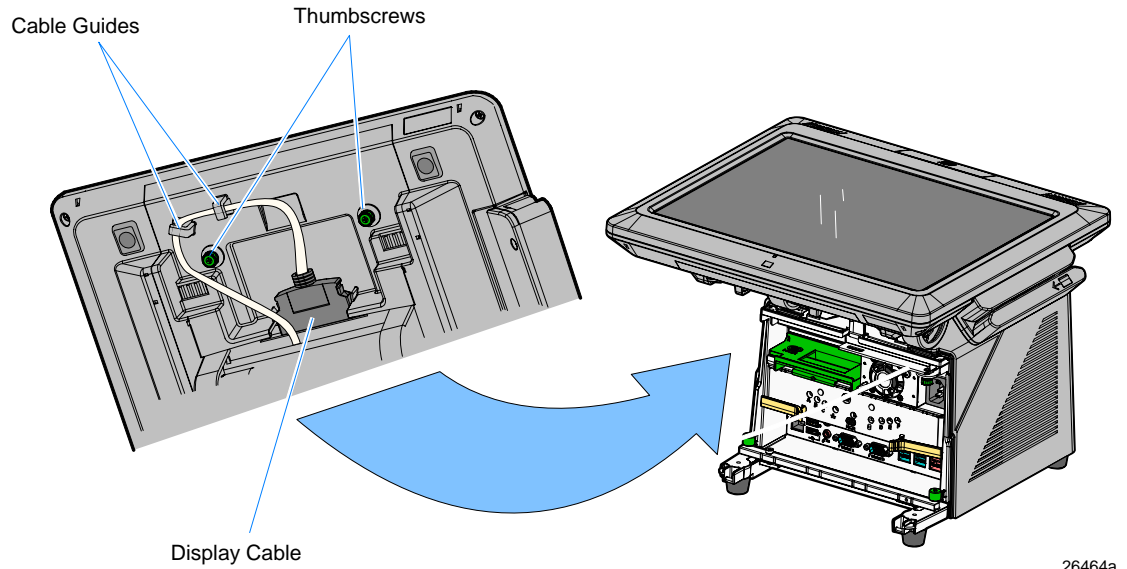
26124a

- b. Pivot the top of the Front Base Cover toward the front of the unit and remove it from the terminal.

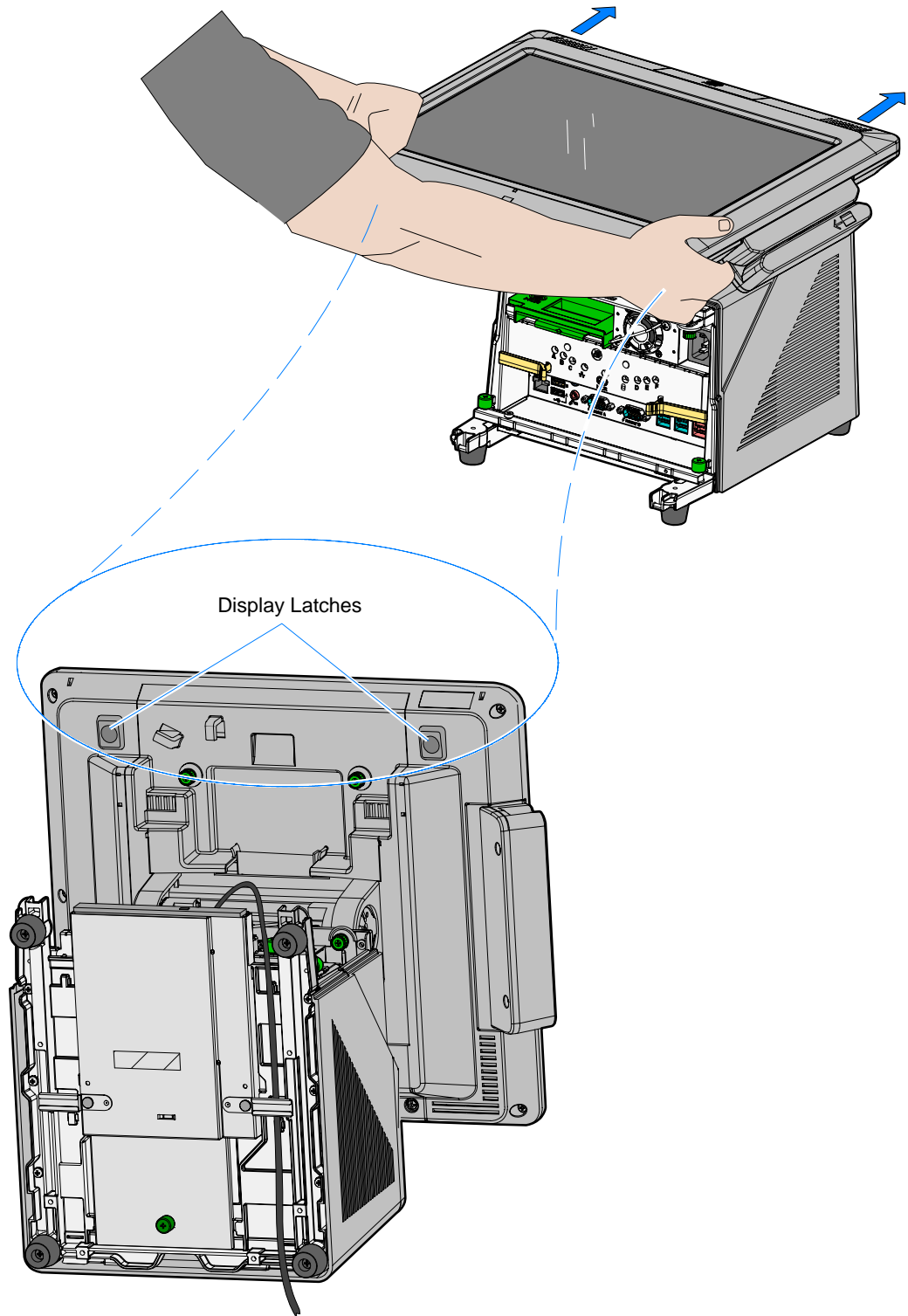


26032a

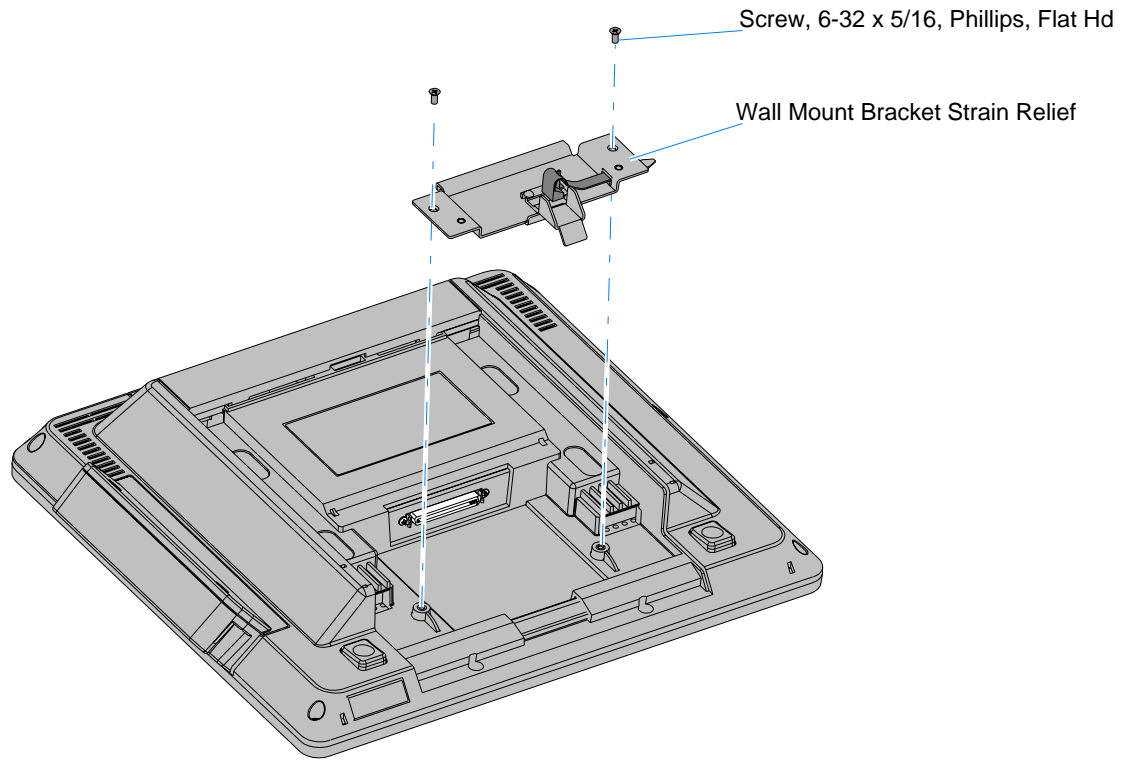
2. Remove the Display Head from the Base.
  - a. Release the Display Cable from the Cable Guides.
  - b. Disconnect the Display Cable (squeeze the sides of the connector).
  - c. Loosen the Display thumbscrews (2).



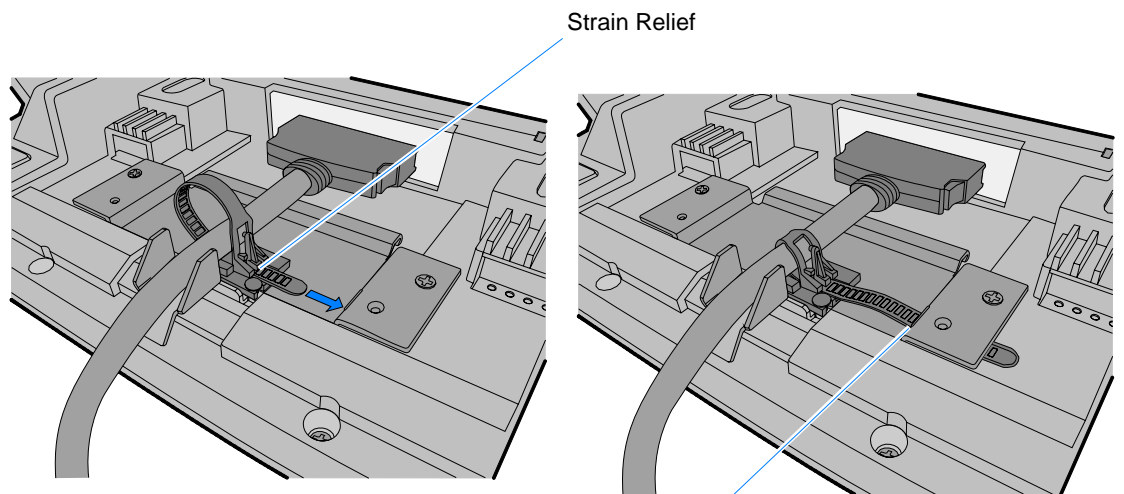
- d. Depress the Display Release Latches (2) and slide the Display Head toward the rear of the terminal to disengage it from the chassis.



3. Install the Wall Mount Bracket Strain Relief on the back of the 7403 (2 screws).



4. Connect the Remote Display Cable to the 7403 and secure it with the Cable Strain Relief. After tightening the Strain Relief insert the end of the strap into the slot in the bracket so it will not interfere when the terminal is mounted on the Wall Bracket.

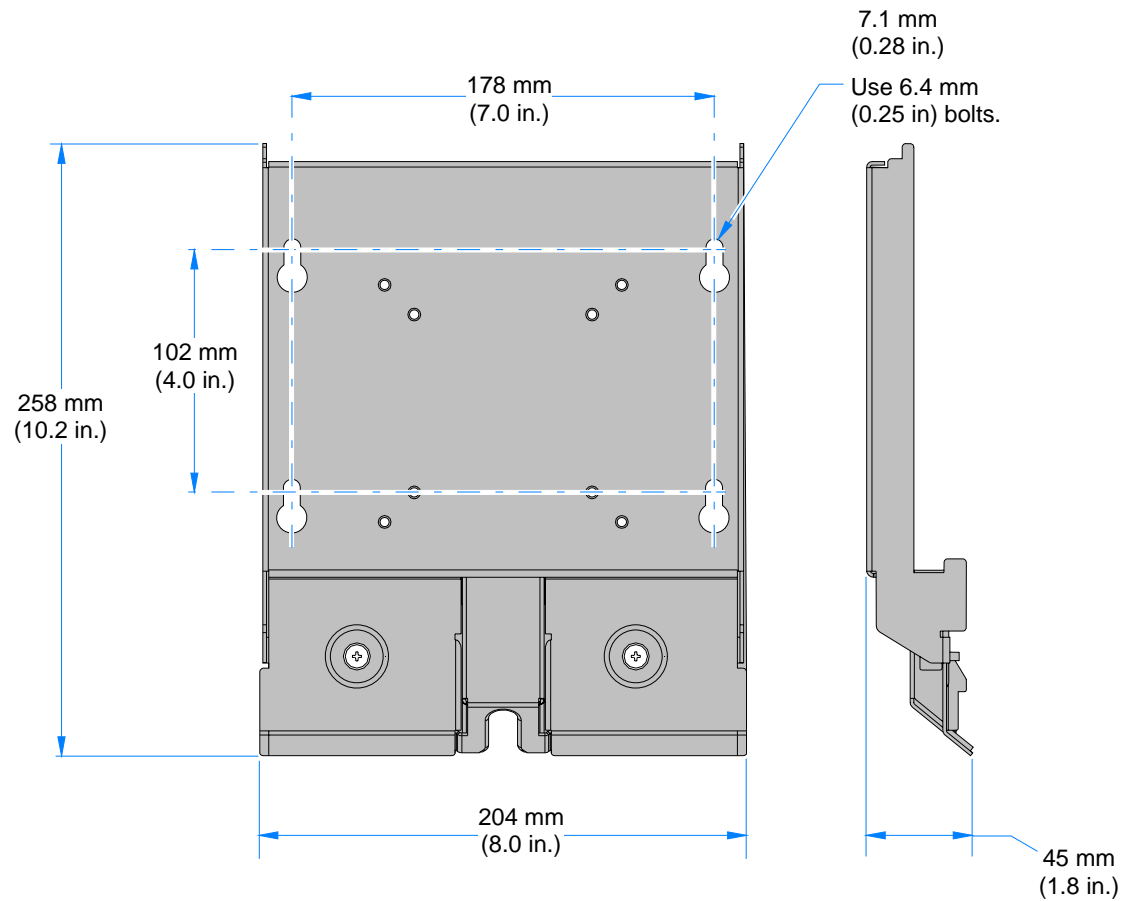


Insert the end of the Strain Relief strap into slot.



- Secure the Wall Mount Bracket to a vertical surface using lag screws (4). Use the bracket as a template to mark the location of the holes or use the dimensions shown below.

**Note:** Make sure you install the screws into the studs or that you use hardware of similar strength.

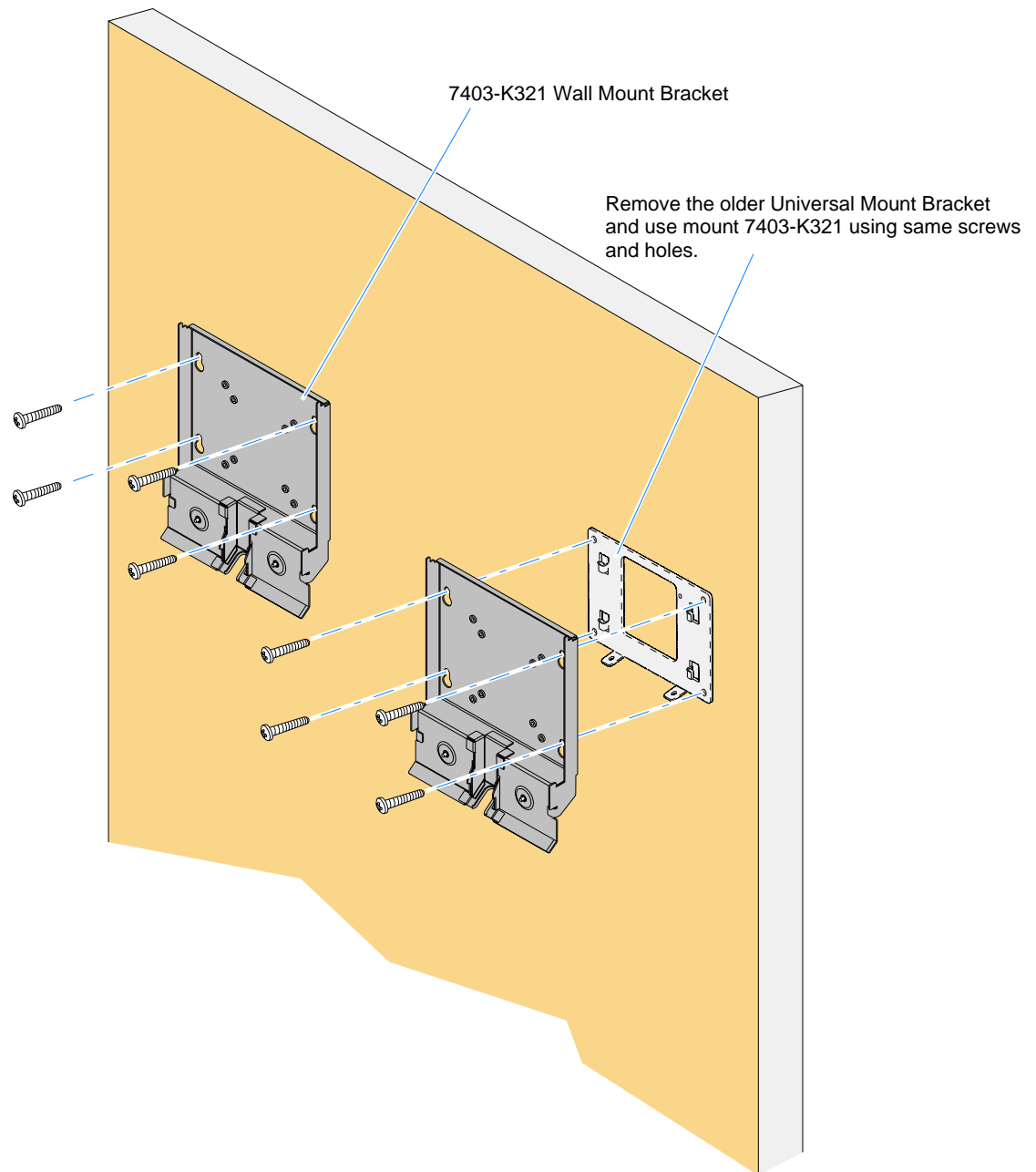


26411

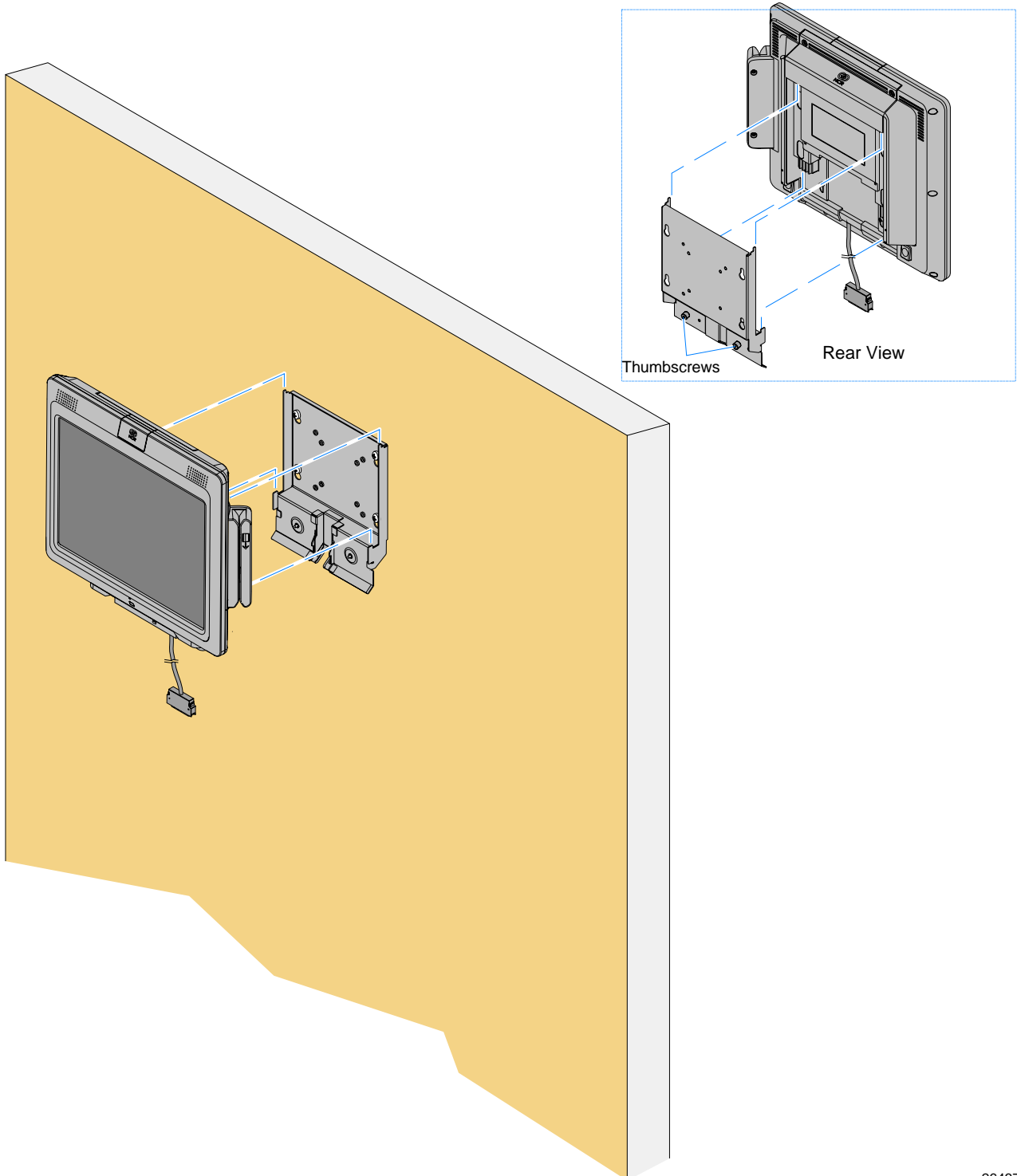
**Note:** The Wall Mount Bracket also has standard VESA mounting holes that can be used to mount the 7403 on various VESA mounts, such as swing arms.

**Note:** The Wall Mount Bracket has the same hole pattern as older Universal Mount Brackets (7402-K562, 7402-K522, and 7401-K533). Therefore if you are replacing a terminal that is mounted on a Universal Mount Bracket then simply remove the bracket and install the Wall Mount Bracket using the same screws and mounting holes.

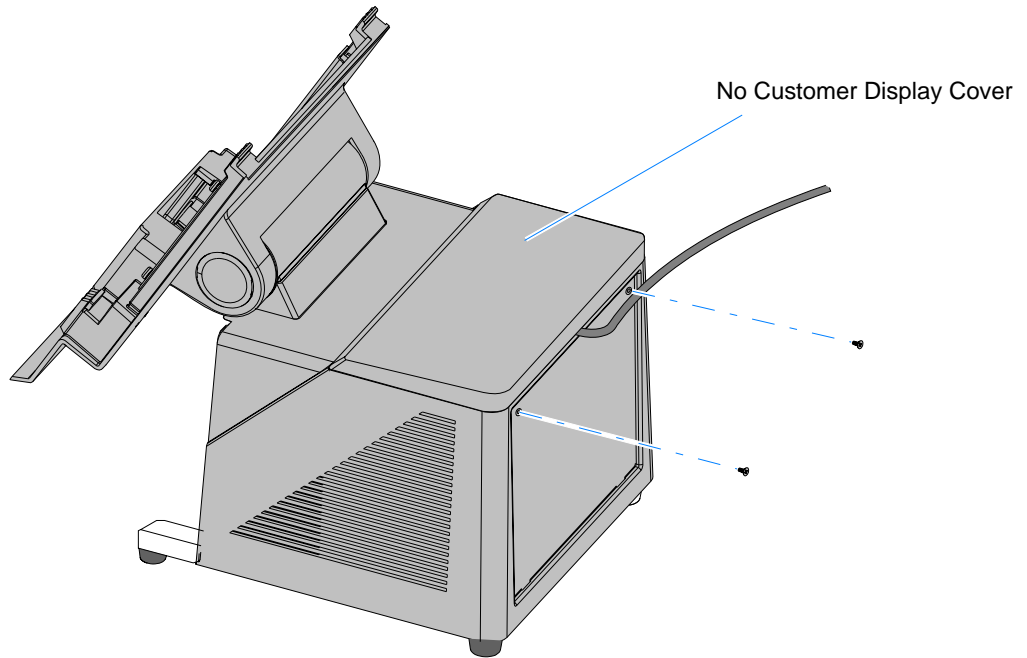
**Note:** The recommended viewing height for the terminal is 1.2 m (48 in.) from the floor.



6. Hang the 7403 on the Wall Bracket
  - a. Align the terminal so the extensions on the Wall Bracket can be inserted into the openings on the back of the terminal.
  - b. Secure the terminal by moving it downward onto the bracket extensions.
  - c. Lock the assembly in position by tightening the thumbscrews (2).

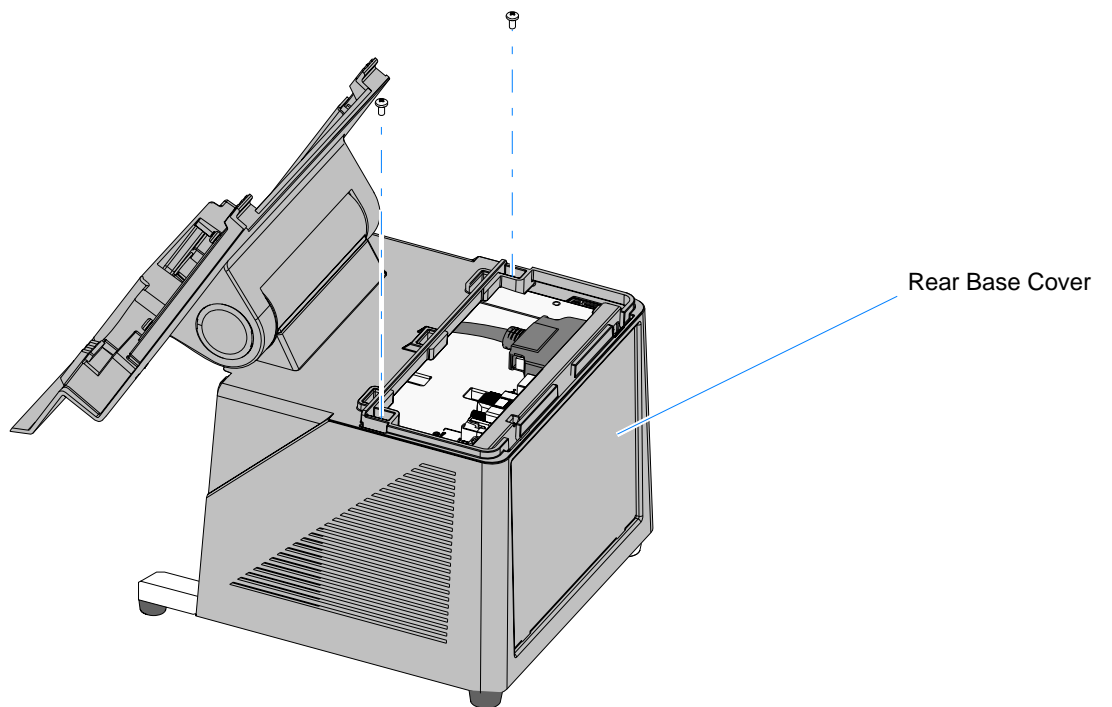


7. Remove the No Customer Display Cover (2 screws).



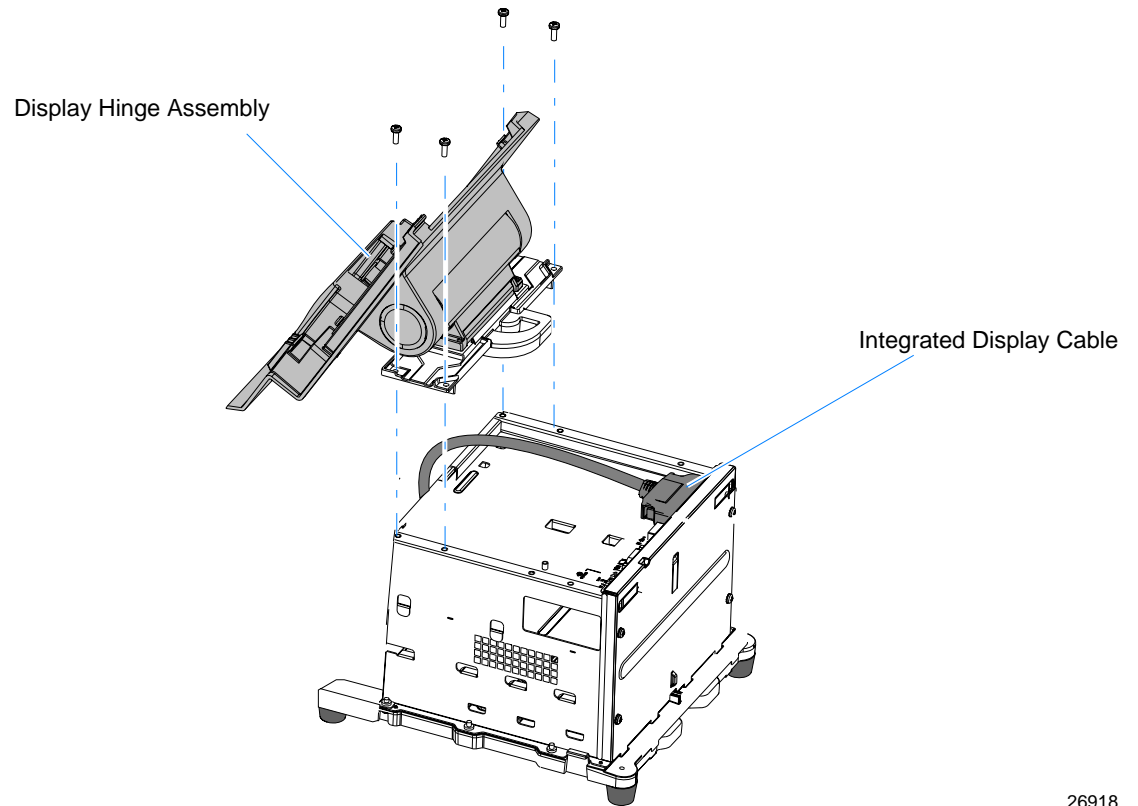
26917a

8. Remove the Rear Base Cover (2 screws).



26921

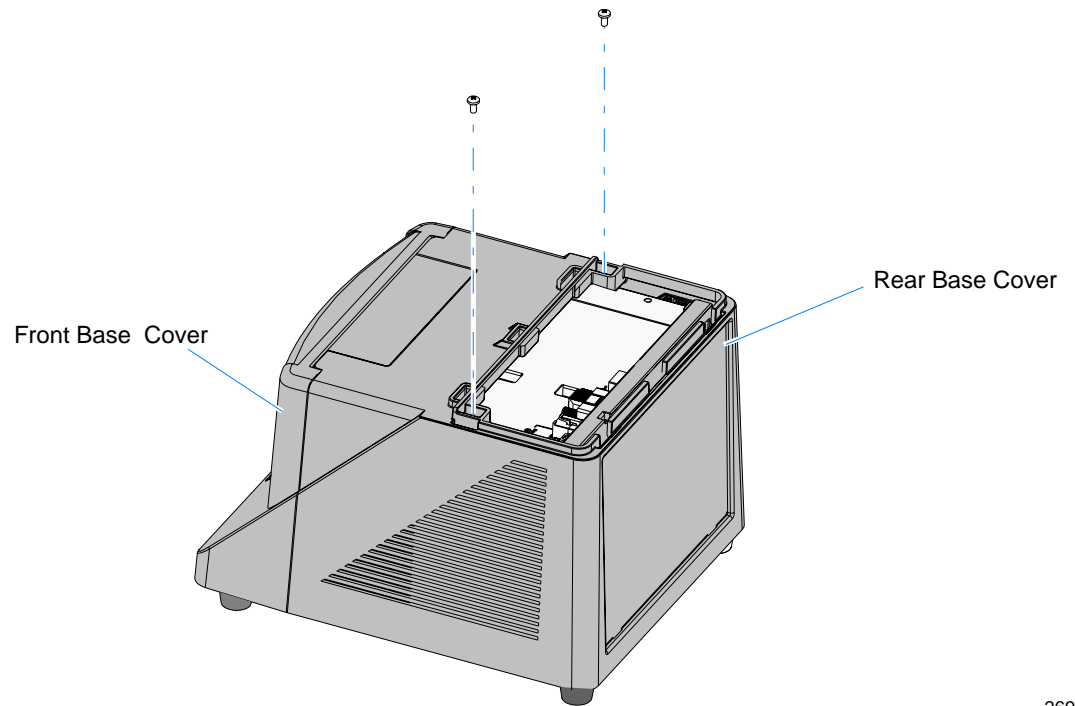
9. Remove the Display Hinge Assembly (4 screws).



26918

10. Disconnect and remove the Integrated Display Cable.

11. Install the 7403-K325 Rear Base Cover and secure it with screws (2).
12. Install the Front Base Cover and secure it by locking the Security Key.



13. Place the 7403 Base in the desired installation location.
14. Connect the Remote Display Cable to the 7403 Electronics Assembly.
15. Install the Remote Display Base (2 captive screws in base, 2 screws in from the rear of the unit).
16. Insert the Hole Plug into the top of the Remote Display Base.

