

7403-K455

Signage Insert

Kit Instructions



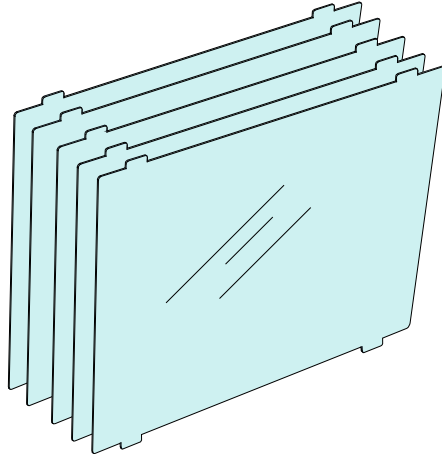
Issue A

Revision Record

Issue	Date	Remarks
A	Nov 2008	First issue

Introduction

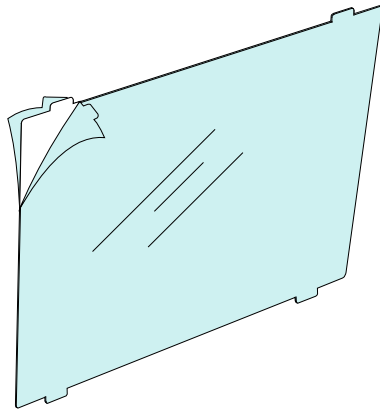
This kit provides clear plastic inserts that are used to display customer provided signage information on the back of the 7403. The kit contains a package of five inserts.



26246

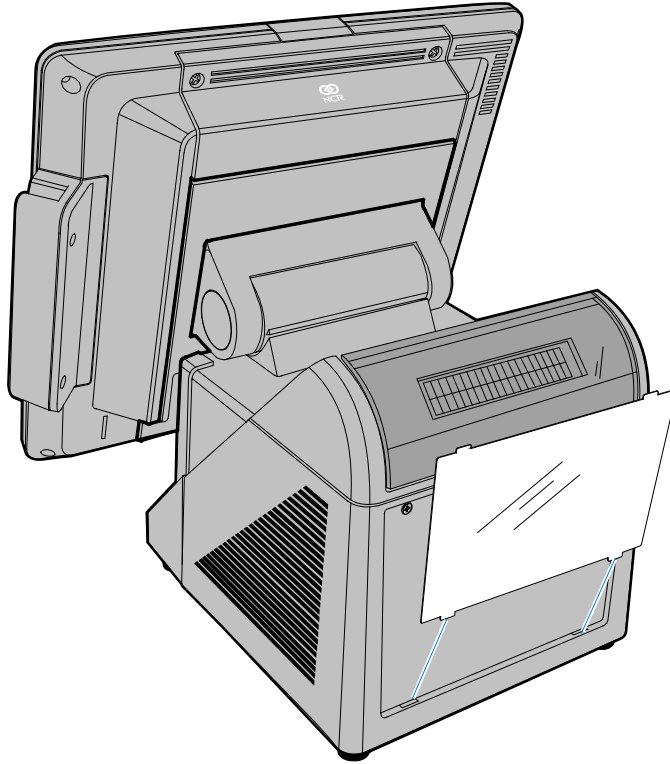
Installation Procedures

1. Peel off the protective liners from both sides of the Signage Insert.

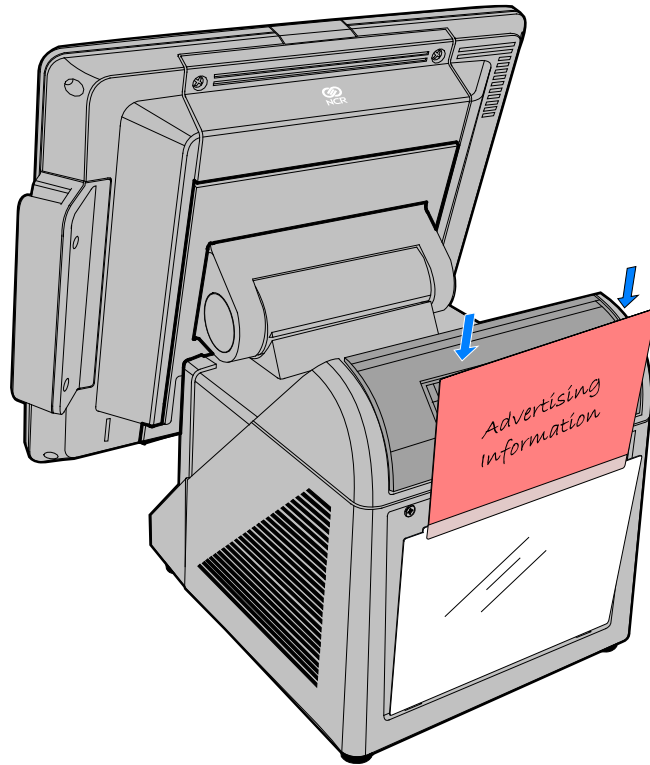


26247

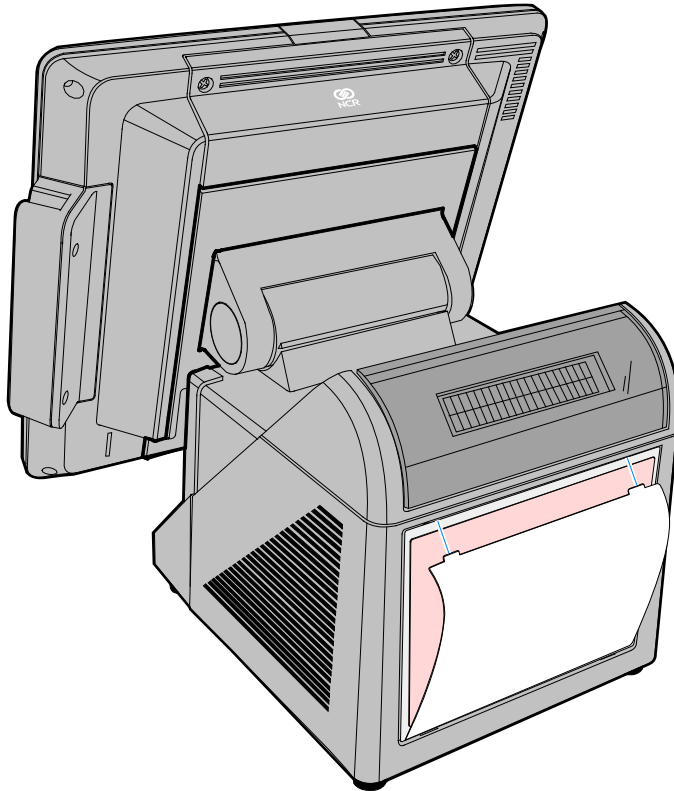
2. Insert the bottom tabs on the Signage Insert into the bottom slots on the back of the 7403.



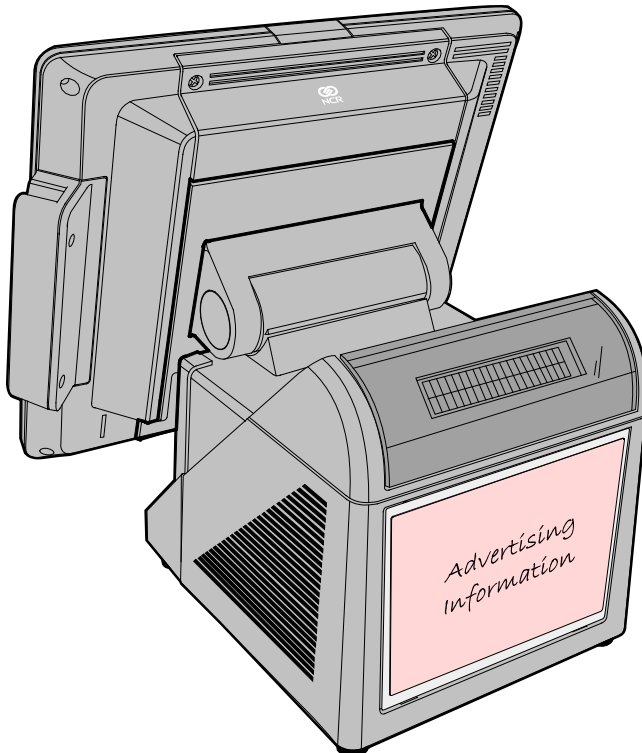
3. Insert the information sheet behind the Signage Insert.



4. Insert the top two tabs into the top slots in the cabinet by flexing the Signage Insert.



26250



26251

Media Dimensions

