

7404-K034

# Table Top Mount

Kit Instructions



Issue B



---

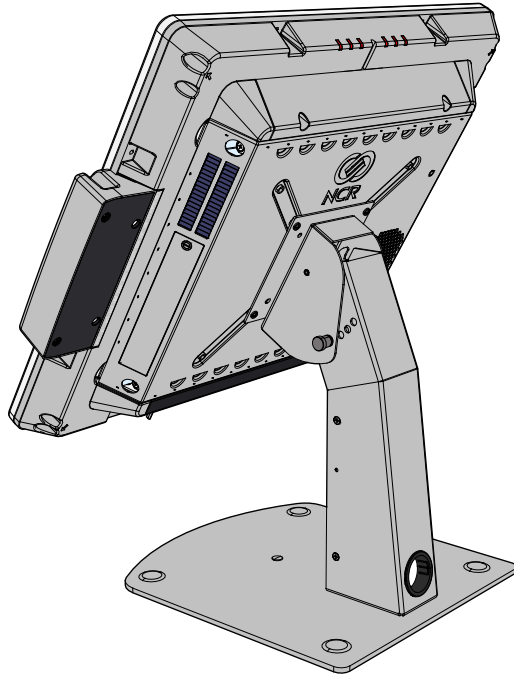
## Revision Record

Issue	Date	Remarks
A	Aug 2008	First issue
B	June 2013	Version 2 of Base



## Introduction

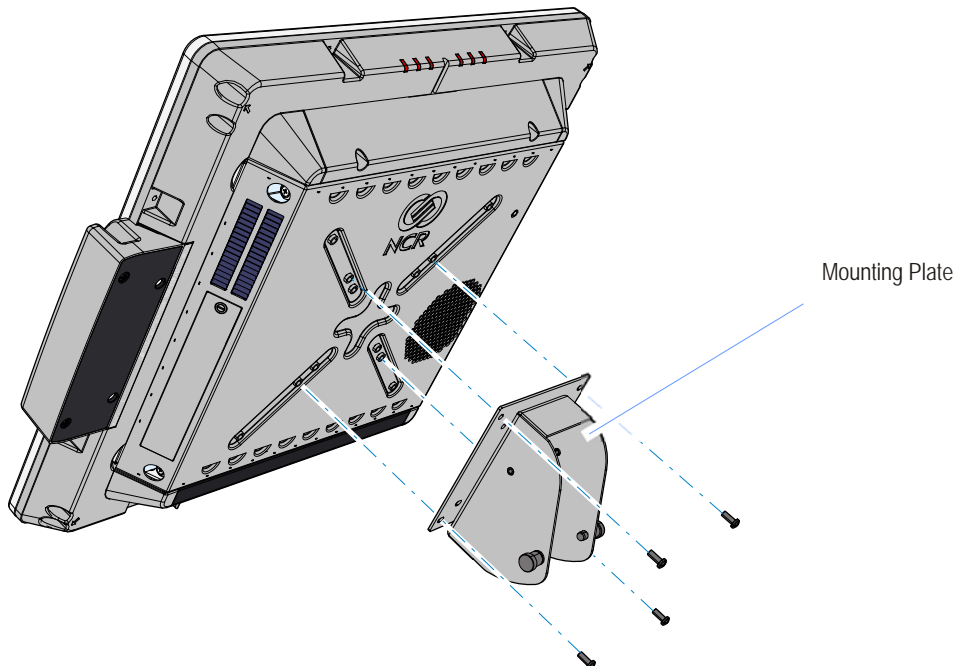
This kit provides a Table Top Mount for the NCR SelfServ 60 Kiosk.



32026

## Installation Procedures

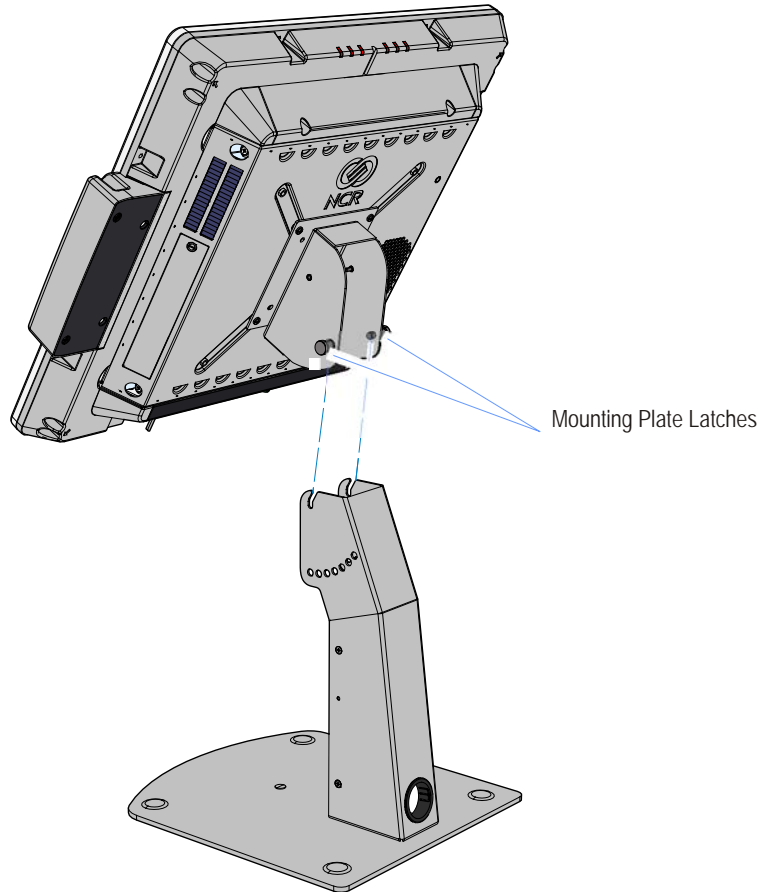
1. Install the Mounting Plate onto the back of the terminal (4 screws).



32027

2. Extend the Mounting Plate Latches outward as shown and install the 7404 onto the Baseplate. The two studs on the Mounting Plate are inserted into the two slots on the Baseplate. The Mounting Plate Latches are spring loaded and lock into the holes in the side of the Baseplate.

**Note:** The Mounting Plate Latches can be locked in the extended position by pulling them out and rotating them 45 degrees. This makes it easier to place the 7404 onto the Baseplate. Rotate the latches back so they will lock into position after installing the 7404.



32028

3. Adjust the angle of the 7404 as desired. The screen can be adjusted from 0 degrees (vertical) – 54 degrees (from vertical), in 9 degree increments.
  - a. Extend the Mounting Plate Latches.
  - b. Adjust the angle of the screen.
  - c. Lock the Mounting Plate Latches.

## Cable Routing

1. Remove the Front Plate from the mount.
2. Route the cables from the Connector Panel down the mount and out the hole in the rear of the base or out the hole in the Mount Base.

**Note:** Install the Grommet.

3. Replace the Front Plate.

