

KIT INSTRUCTIONS

RealPOS XR7 POS Stand

7702-K030

Issue A



The product described in this book is a licensed product of NCR Corporation.

NCR is a registered trademark of NCR Corporation. NCR RealPOS is a trademark of NCR Corporation in the United States and/or other countries. Other product names mentioned in this publication may be trademarks or registered trademarks of their respective companies and are hereby acknowledged.

The terms HDMI and HDMI High-Definition Multimedia Interface, and the HDMI Logo are trademarks or registered trademarks of HDMI Licensing LLC in the United States and other countries.

Where creation of derivative works, modifications or copies of this NCR copyrighted documentation is permitted under the terms and conditions of an agreement you have with NCR, NCR's copyright notice must be included.

It is the policy of NCR Corporation (NCR) to improve products as new technology, components, software, and firmware become available. NCR, therefore, reserves the right to change specifications without prior notice.

All features, functions, and operations described herein may not be marketed by NCR in all parts of the world. In some instances, photographs are of equipment prototypes. Therefore, before using this document, consult with your NCR representative or NCR office for information that is applicable and current.

To maintain the quality of our publications, we need your comments on the accuracy, clarity, organization, and value of this book.

Address correspondence to:

Manager, Information Solutions Group
NCR Corporation
Discovery Centre, 3 Fulton Road
Dundee, DD2 4SW
Scotland

Internet Address:

<http://www.info.ncr.com/Feedback>

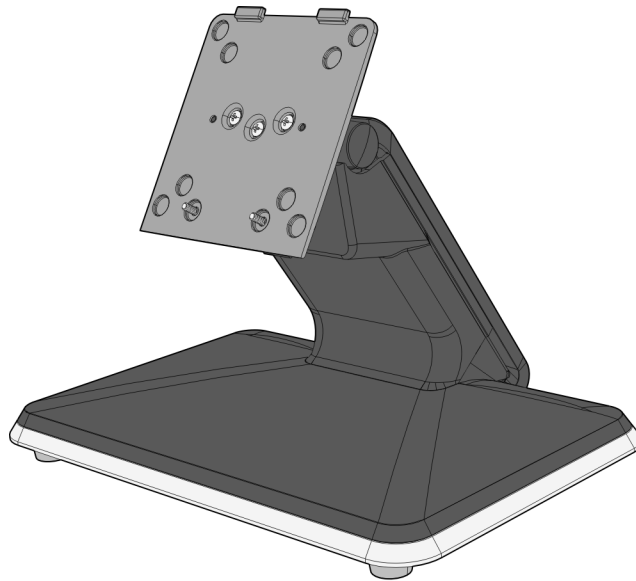
Copyright © 2014
By NCR Corporation
Duluth, GA U.S.A.
All Rights Reserved

Revision Record

Issue	Date	Remarks
A	Jun 2014	First Issue

RealPOS XR7 POS Stand

This kit provides a table-top stand for the NCR RealPOS XR7 POS or NCR RealPOS 5968/5985 Display.

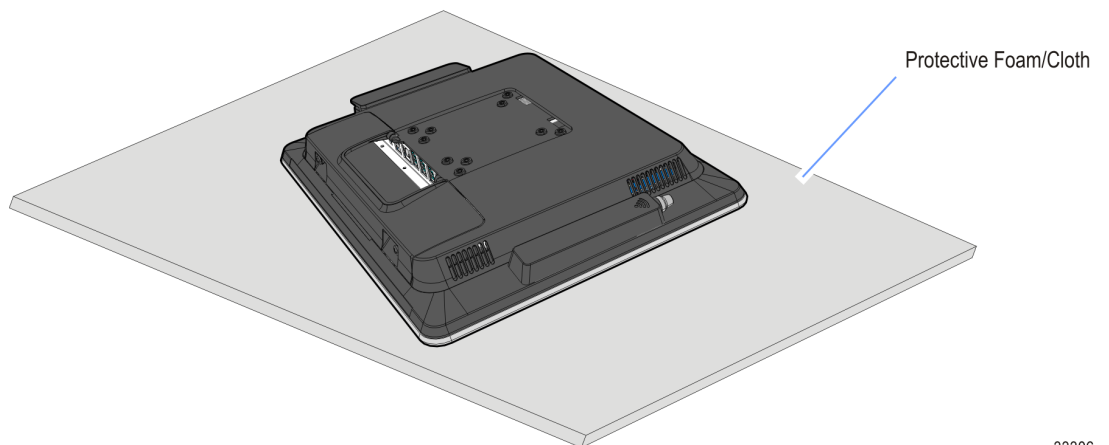


Installation Procedures

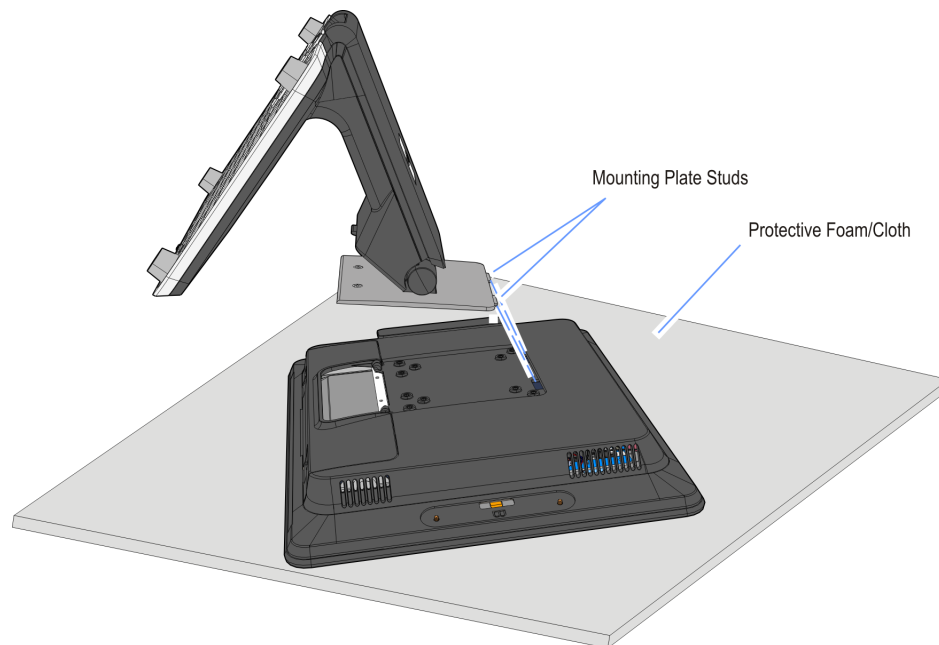
1. Lay the terminal face down on a flat surface.



Caution: Always use a soft material (cloth, foam) to protect the display screen when placing the terminal face down.

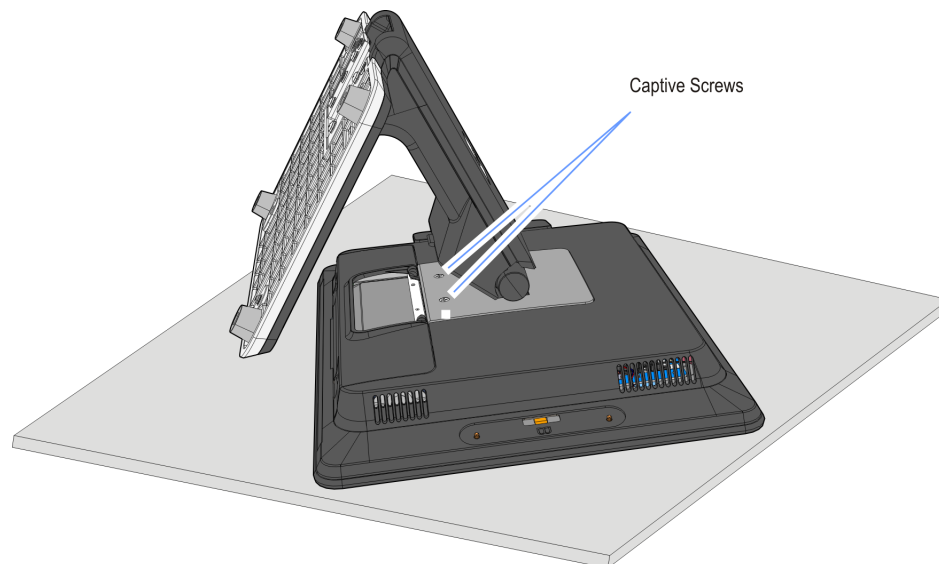


2. Insert the Mounting Plate Studs (2) into the openings in the Rear Cover at a slight angle as shown.



32808

3. Rotate the stand flush into the Rear Cover and secure it with the captive screws (2).

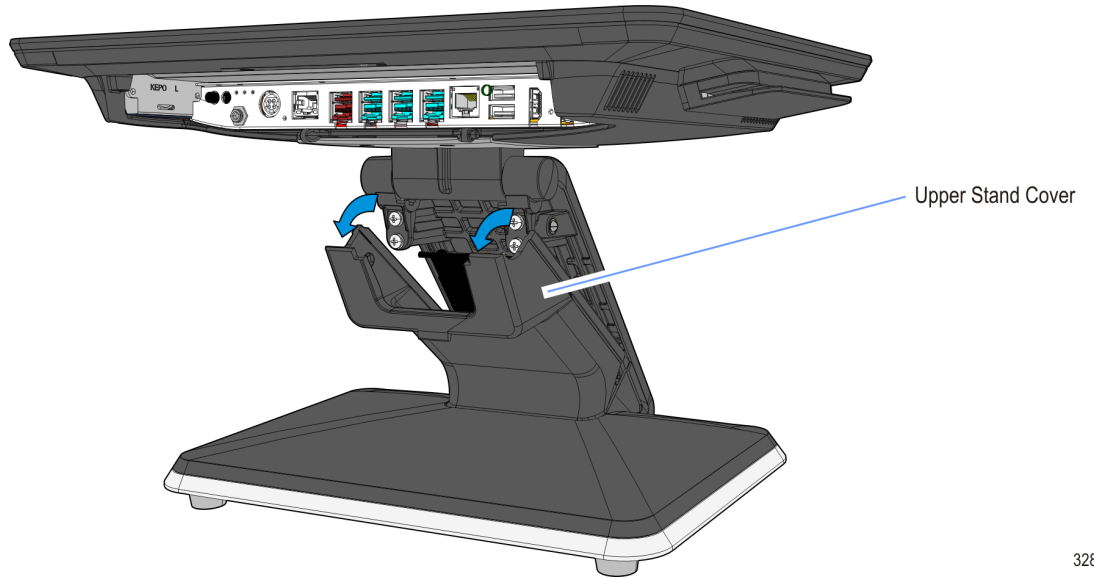


32809

Cable Routing

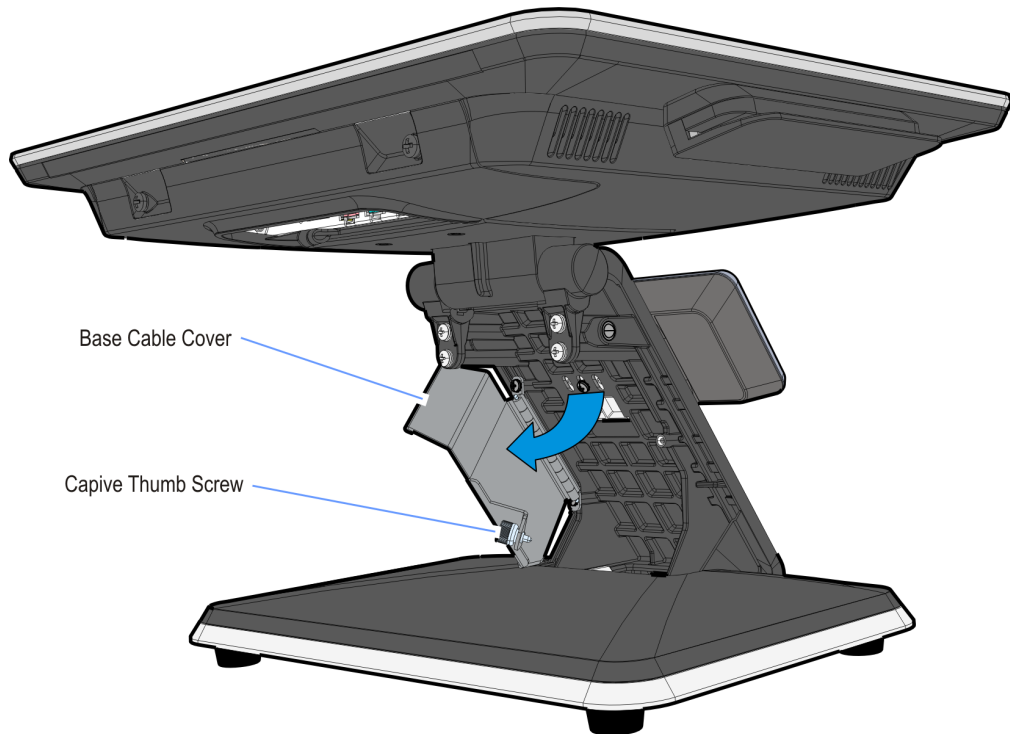
Cables are routed out the opening in the Cable Cover and down through the POS Stand.

1. Remove the Upper Stand Cover by pivoting it away from the stand. The cover has a simple snap fit connection at the top.



32812

2. Open the Base Cable Cover (captive thumb screw).



32813

3. Route the cables down through the opening in the POS Stand Base.

