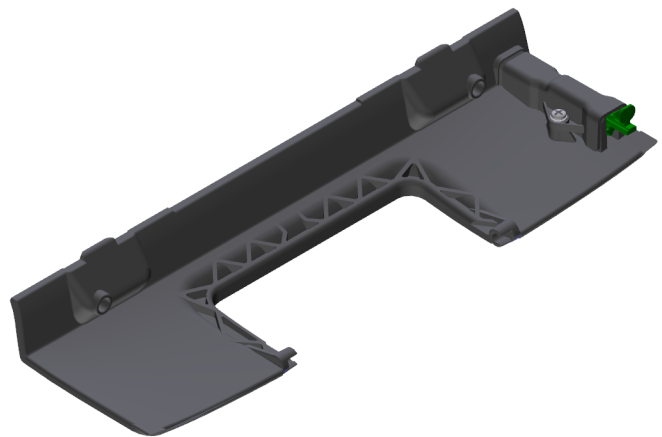


# Kit Instructions

## Cable Cover with Plunger



7702-K100  
Issue A



---

The product described in this book is a licensed product of NCR Corporation.

NCR is a registered trademark of NCR Corporation. NCR RealPOS is a trademark of NCR Corporation in the United States and/or other countries. Other product names mentioned in this publication may be trademarks or registered trademarks of their respective companies and are hereby acknowledged.

The terms HDMI and HDMI High-Definition Multimedia Interface, and the HDMI Logo are trademarks or registered trademarks of HDMI Licensing LLC in the United States and other countries.

Where creation of derivative works, modifications or copies of this NCR copyrighted documentation is permitted under the terms and conditions of an agreement you have with NCR, NCR's copyright notice must be included.

It is the policy of NCR Corporation (NCR) to improve products as new technology, components, software, and firmware become available. NCR, therefore, reserves the right to change specifications without prior notice.

All features, functions, and operations described herein may not be marketed by NCR in all parts of the world. In some instances, photographs are of equipment prototypes. Therefore, before using this document, consult with your NCR representative or NCR office for information that is applicable and current.

To maintain the quality of our publications, we need your comments on the accuracy, clarity, organization, and value of this book. Please use the link below to send your comments.

*Email:* [FD230036@ncr.com](mailto:FD230036@ncr.com)

Copyright © 2018  
By NCR Corporation  
Duluth, GA U.S.A.  
All Rights Reserved

## Revision Record

Issue	Date	Remarks
A	Feb 2018	First Issue

---

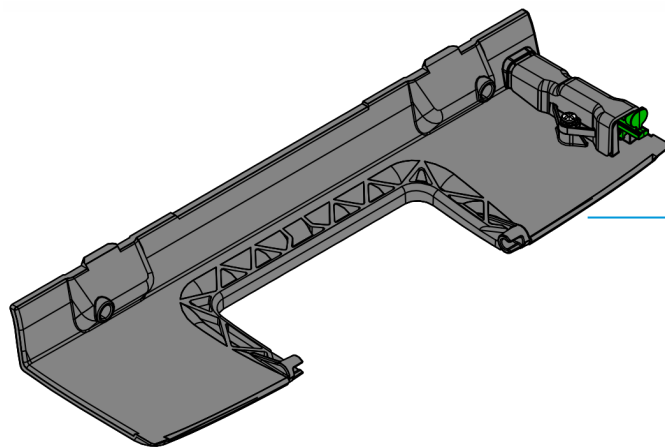
# Cable Cover with Plunger

---

This kit provides a Cable Cover with Plunger for any of the following:

- NCR RealPOS XR5 POS (7701)
- NCR RealPOS XR7 POS (7702)
- NCR RealPOS XR7 Plus POS (7703)

## Kit Contents



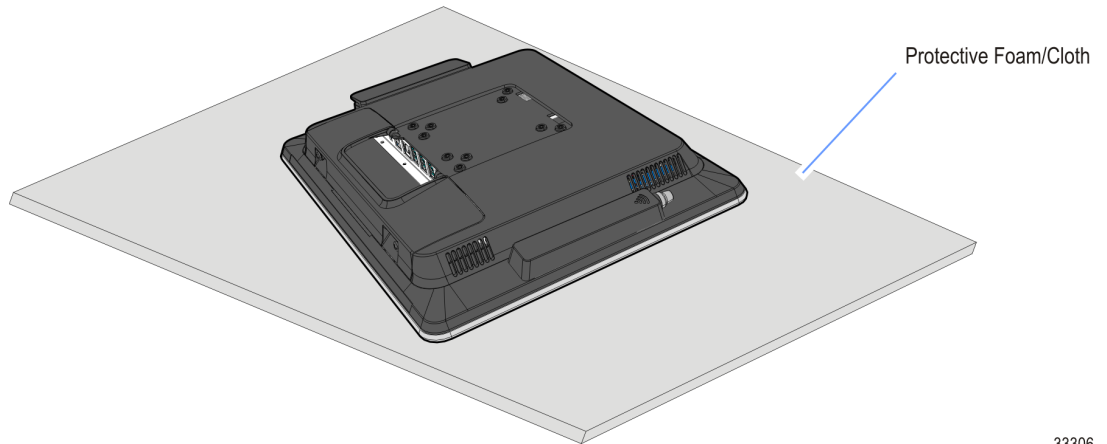
Cable Cover with Plunger  
497-0518505

## Installation Procedure

1. Lay the terminal face down on a flat surface.

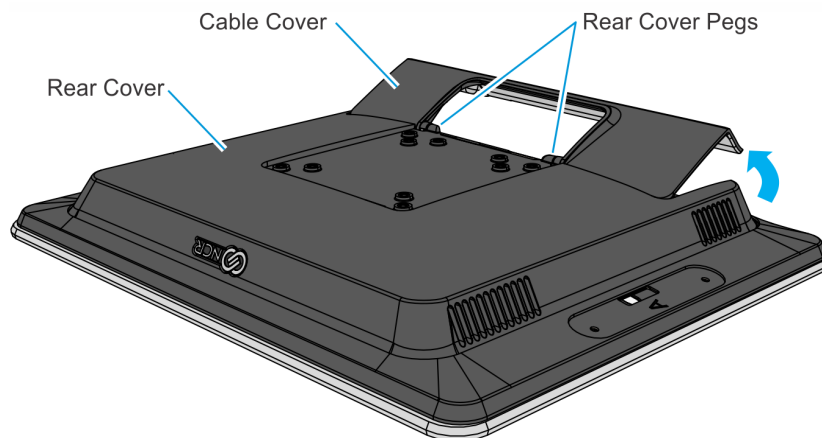


**Caution:** Always use a soft material (cloth, foam) to protect the display screen when placing the terminal face down.



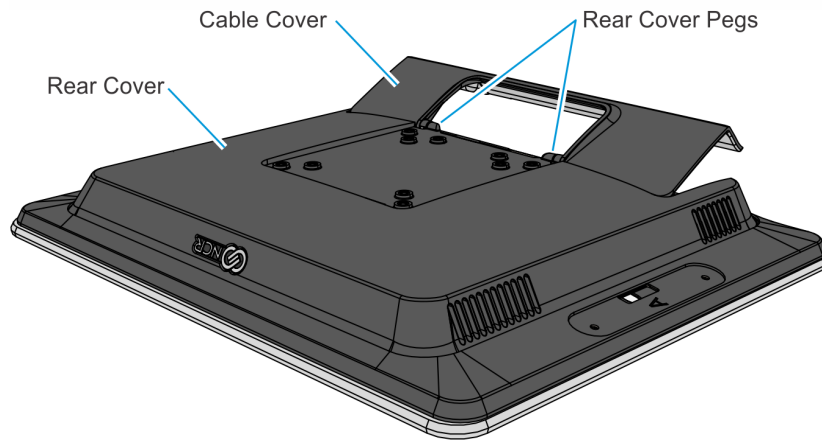
33306

2. Open and remove the existing Cable Cover. Use firm force to unsnap the Cable Cover from the two pegs on the Rear Cover.



CCP-72971

3. Install the Cable Cover with Plunger. Use firm force to snap the Cable Cover on the two pegs on the Rear Cover.



CCP-72972

4. Close the Cable Cover with Plunger.

