

KIT INSTRUCTIONS

3-Port Serial Expansion

7702-K161
Issue C



The product described in this book is a licensed product of NCR Corporation.

NCR is a registered trademark of NCR Corporation. NCR RealPOS is a trademark of NCR Corporation in the United States and/or other countries. Other product names mentioned in this publication may be trademarks or registered trademarks of their respective companies and are hereby acknowledged.

The terms HDMI and HDMI High-Definition Multimedia Interface, and the HDMI Logo are trademarks or registered trademarks of HDMI Licensing LLC in the United States and other countries.

Where creation of derivative works, modifications or copies of this NCR copyrighted documentation is permitted under the terms and conditions of an agreement you have with NCR, NCR's copyright notice must be included.

It is the policy of NCR Corporation (NCR) to improve products as new technology, components, software, and firmware become available. NCR, therefore, reserves the right to change specifications without prior notice.

All features, functions, and operations described herein may not be marketed by NCR in all parts of the world. In some instances, photographs are of equipment prototypes. Therefore, before using this document, consult with your NCR representative or NCR office for information that is applicable and current.

To maintain the quality of our publications, we need your comments on the accuracy, clarity, organization, and value of this book. Please use the link below to send your comments.

Email: FD230036@ncr.com

Copyright © 2015–2021
By NCR Corporation
Global Headquarters
864 Spring St NW
Atlanta, GA 30308
U.S.A.
All Rights Reserved

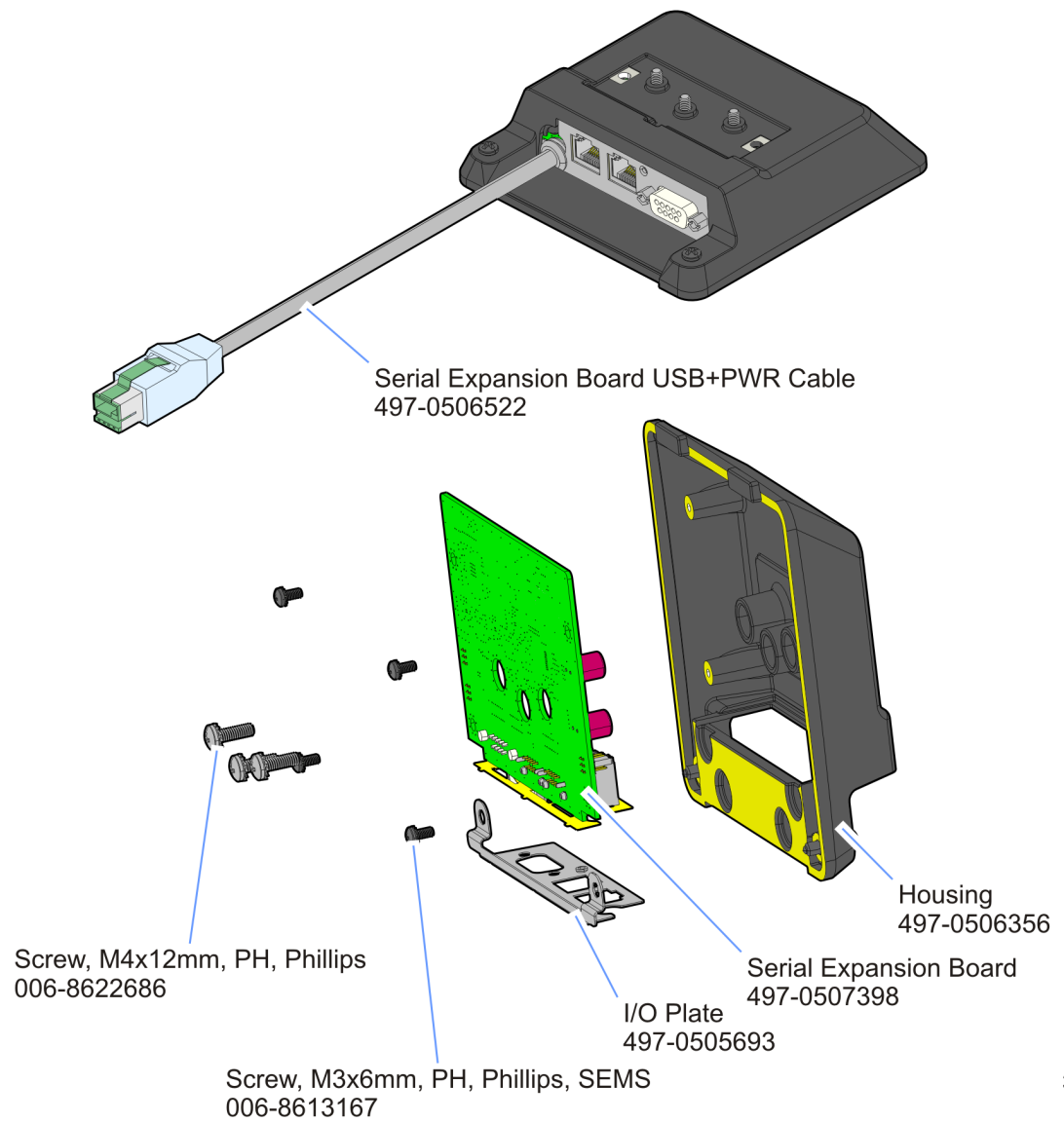
Revision Record

Issue	Date	Remarks
A	Mar 2015	First Issue
B	June 2016	Added the Expansion Board Jumpers section
C	Apr 2021	Added K161 COM Port Assignment section

3-Port Serial Expansion

This kit adds three additional standard serial ports to the RealPOS XR7 POS, two RJ50 and one DB9 connectors.

Components



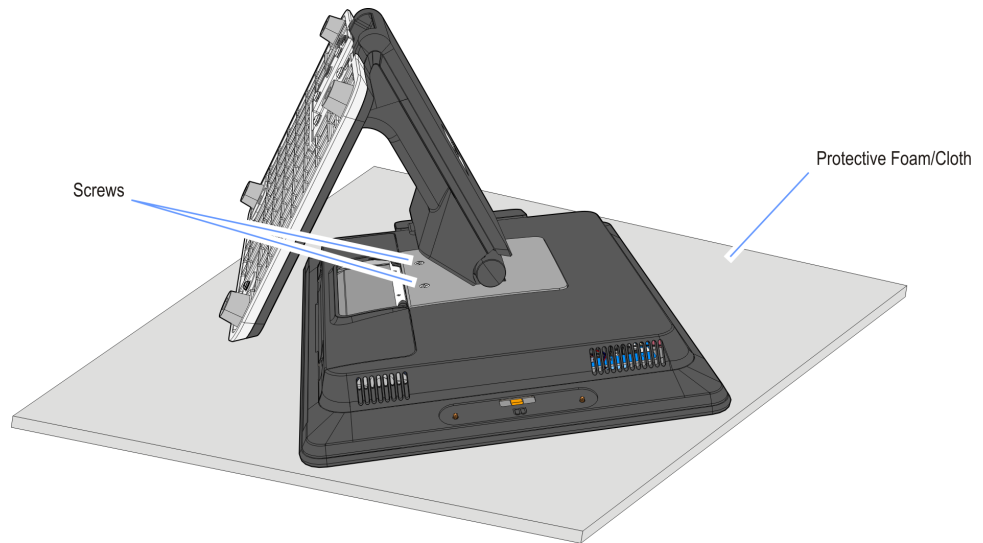
Installation Procedures

1. Remove the Base Stand.
 - a. Lay the terminal face down on a flat surface.



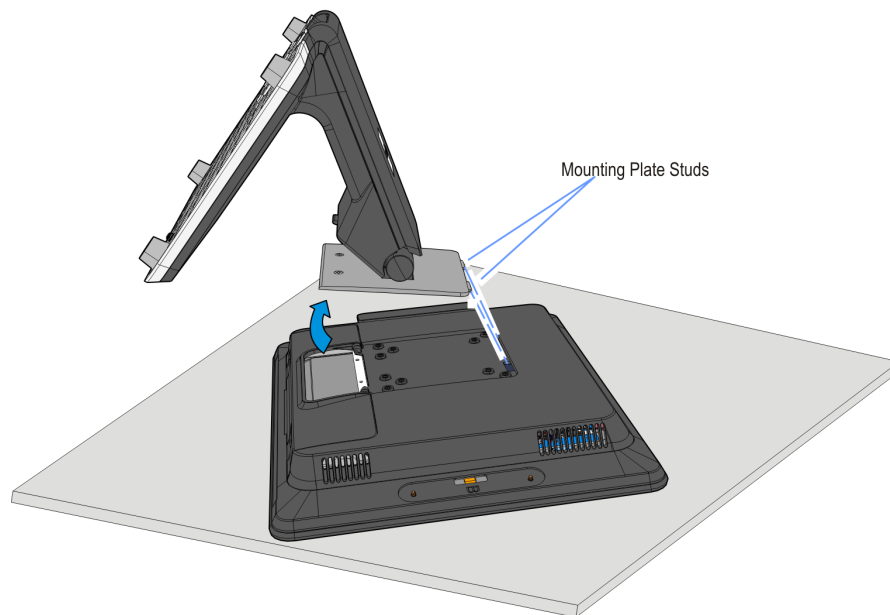
Caution: Always use a soft material (cloth, foam) to protect the display screen when placing the terminal face down.

- b. Remove the two (2) screws that secure the Base Stand to the display.



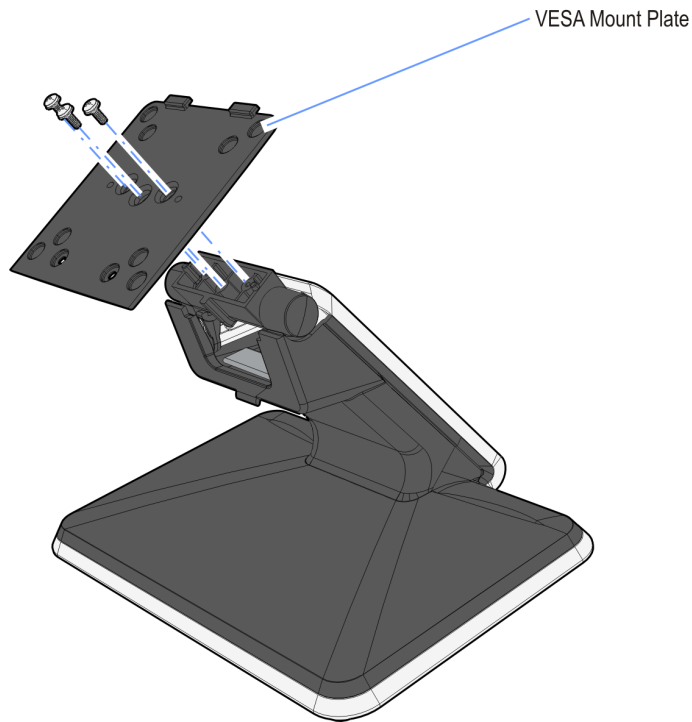
32809

- c. Rotate the Table Top Stand and remove the two (2) Mounting Plate Studs from the openings in the Rear Cover.



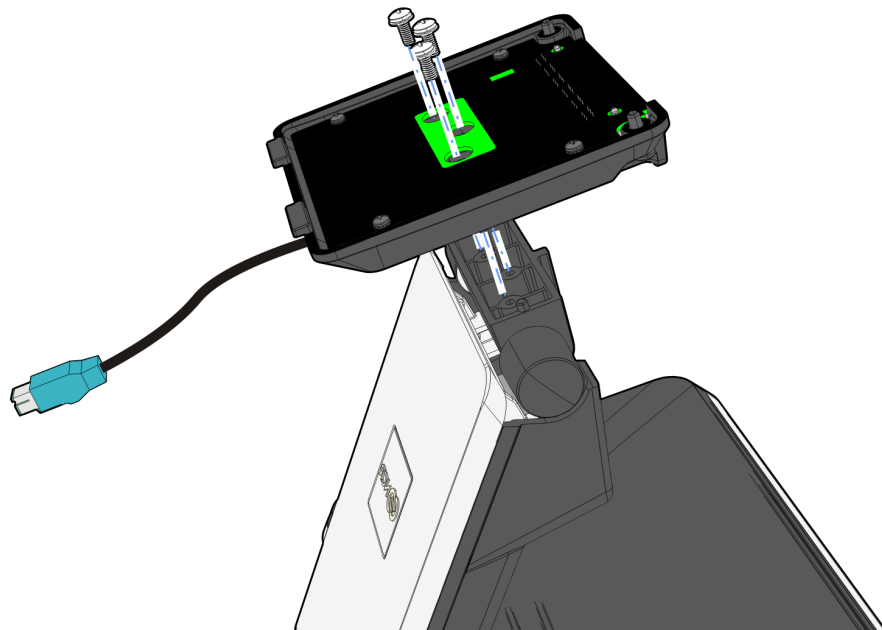
32808a

2. Remove the VESA Mount Plate from the Base Stand (3 screws).



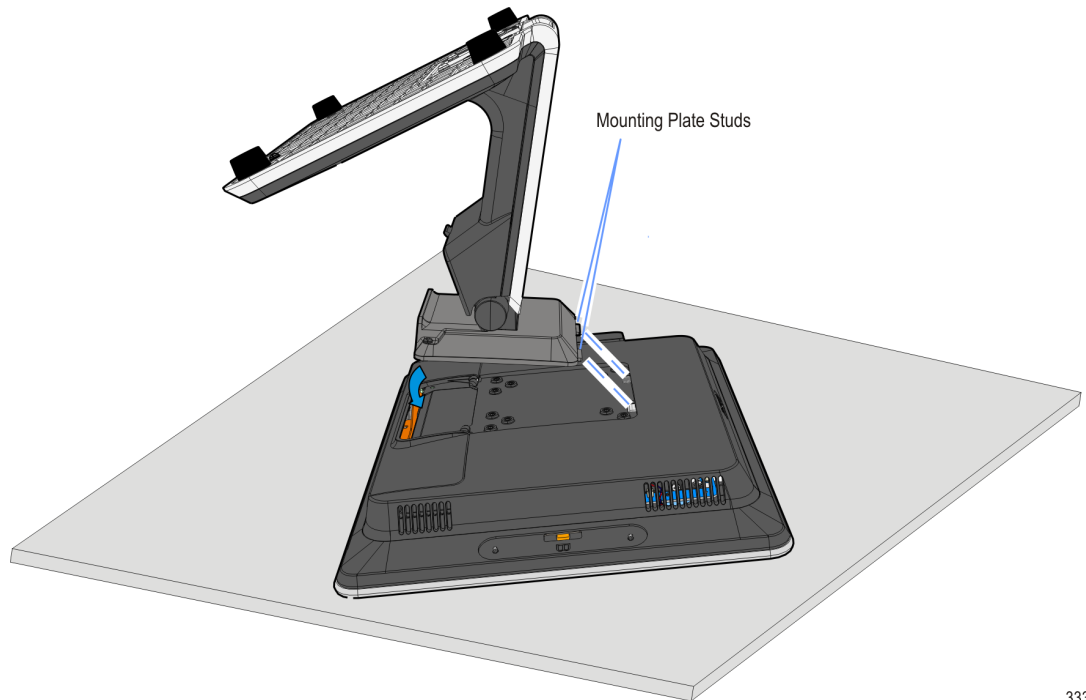
33383

3. Install the Serial Expansion Module on the Base Stand (3 screws).



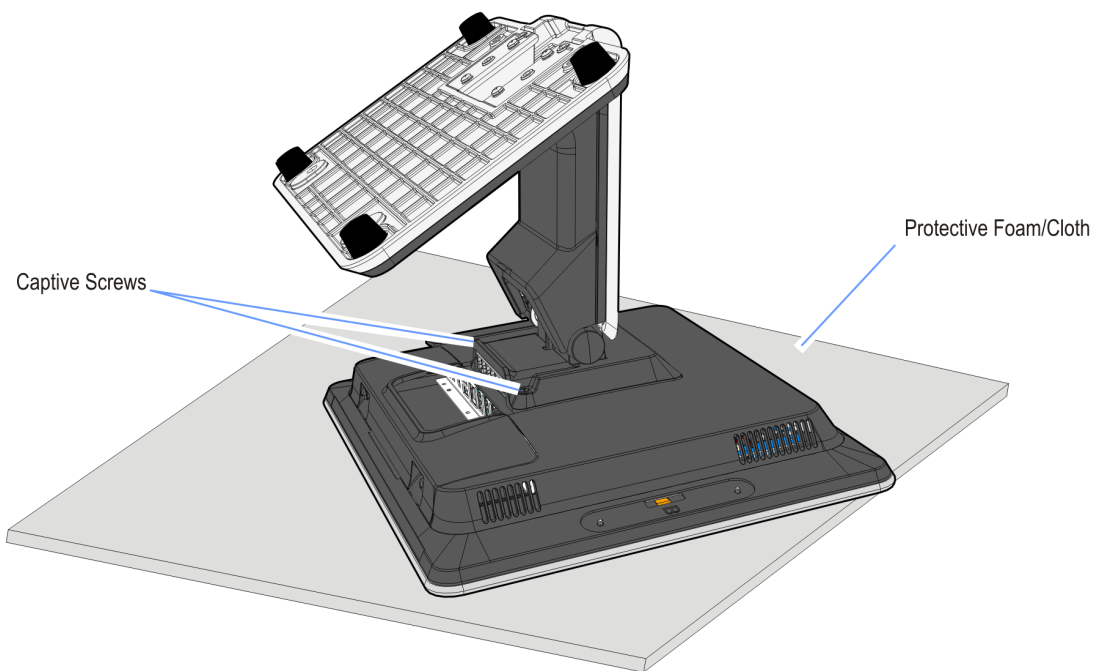
33380

4. Insert the two (2) Mounting Plate Studs into the openings in the Rear Cover and rotate the Table Top Stand downward.



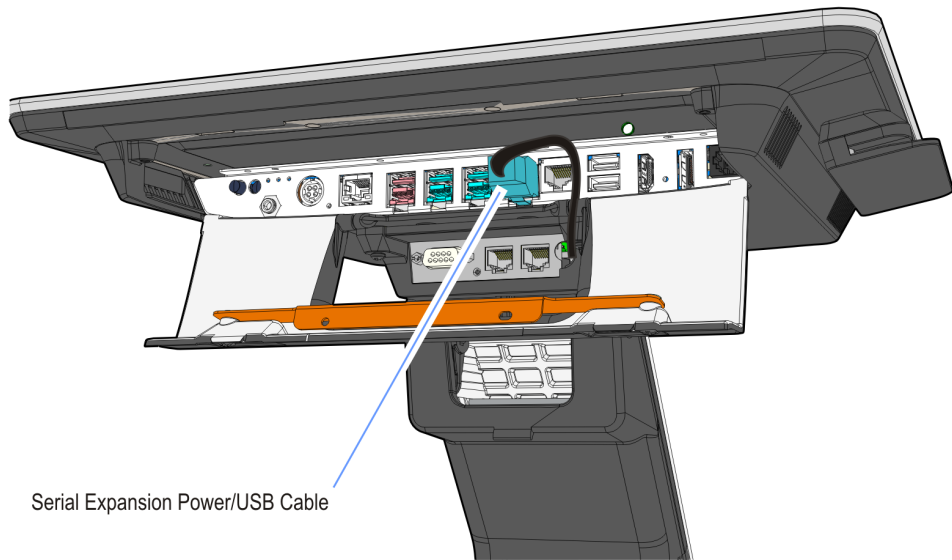
33386

5. Secure the Base Stand to the terminal (2 captive screws).



33385

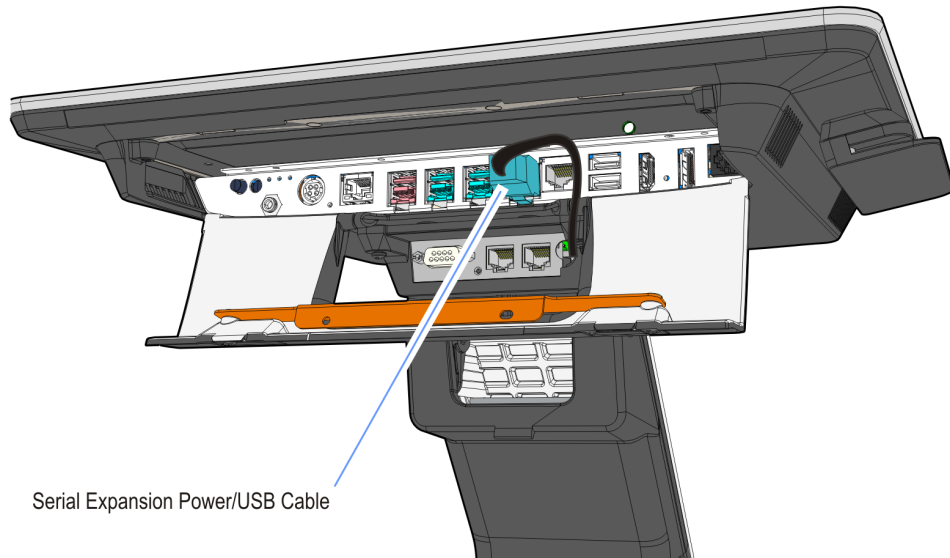
6. Connect the Serial Expansion Power/USB Cable from the terminal I/O Panel.



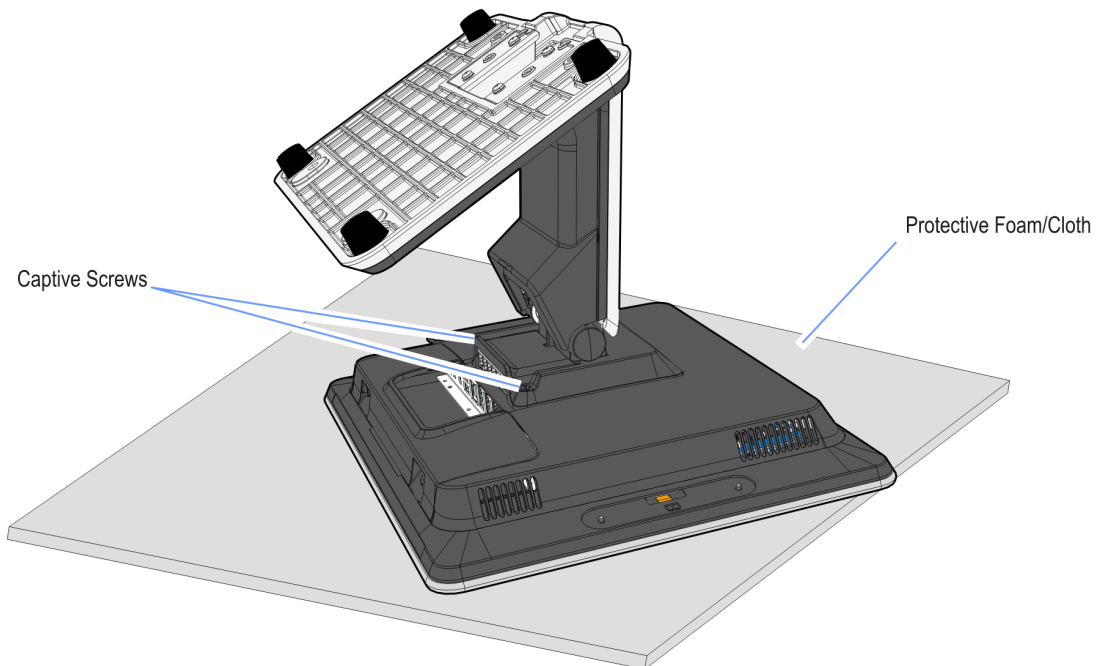
Expansion Board Jumpers

Removing the Expansion Board

1. Remove all connected components and terminal head.

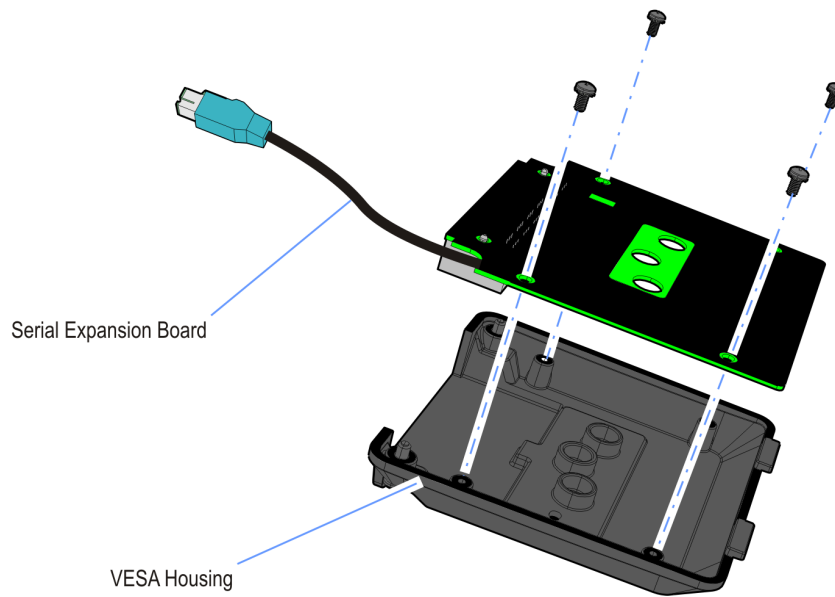


33651

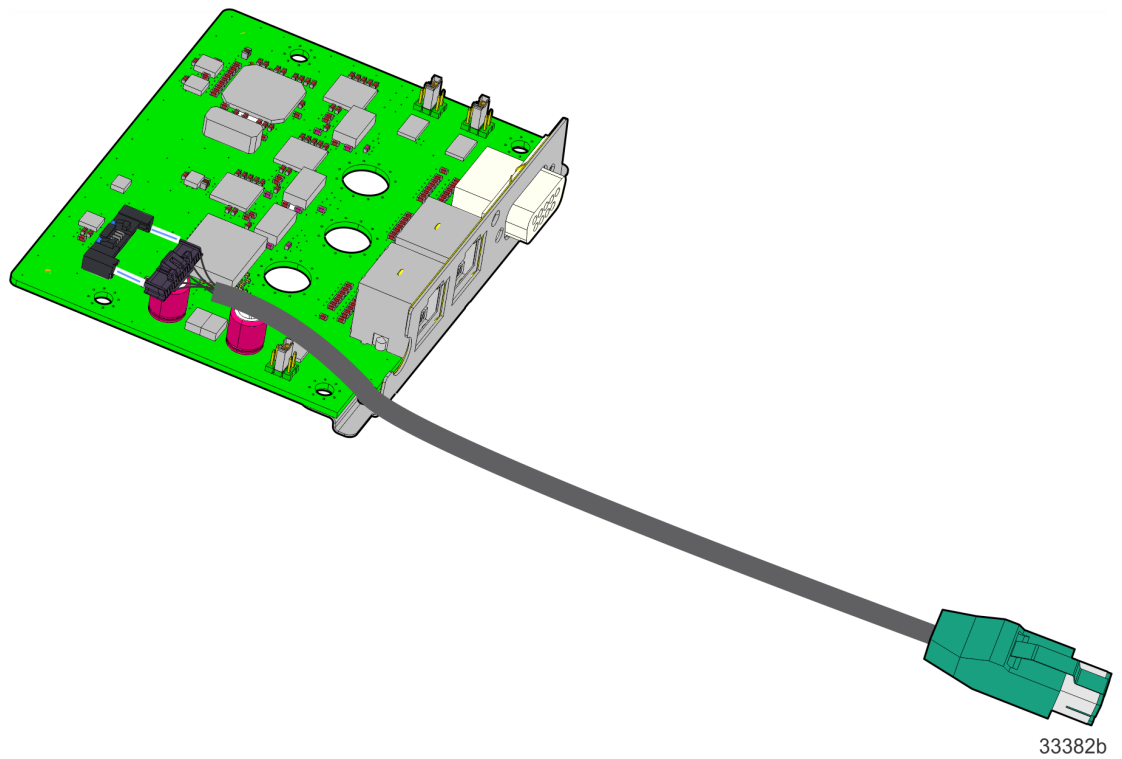


33385

2. Detach the four (4) screws holding the Expansion Board to the Expansion Housing.

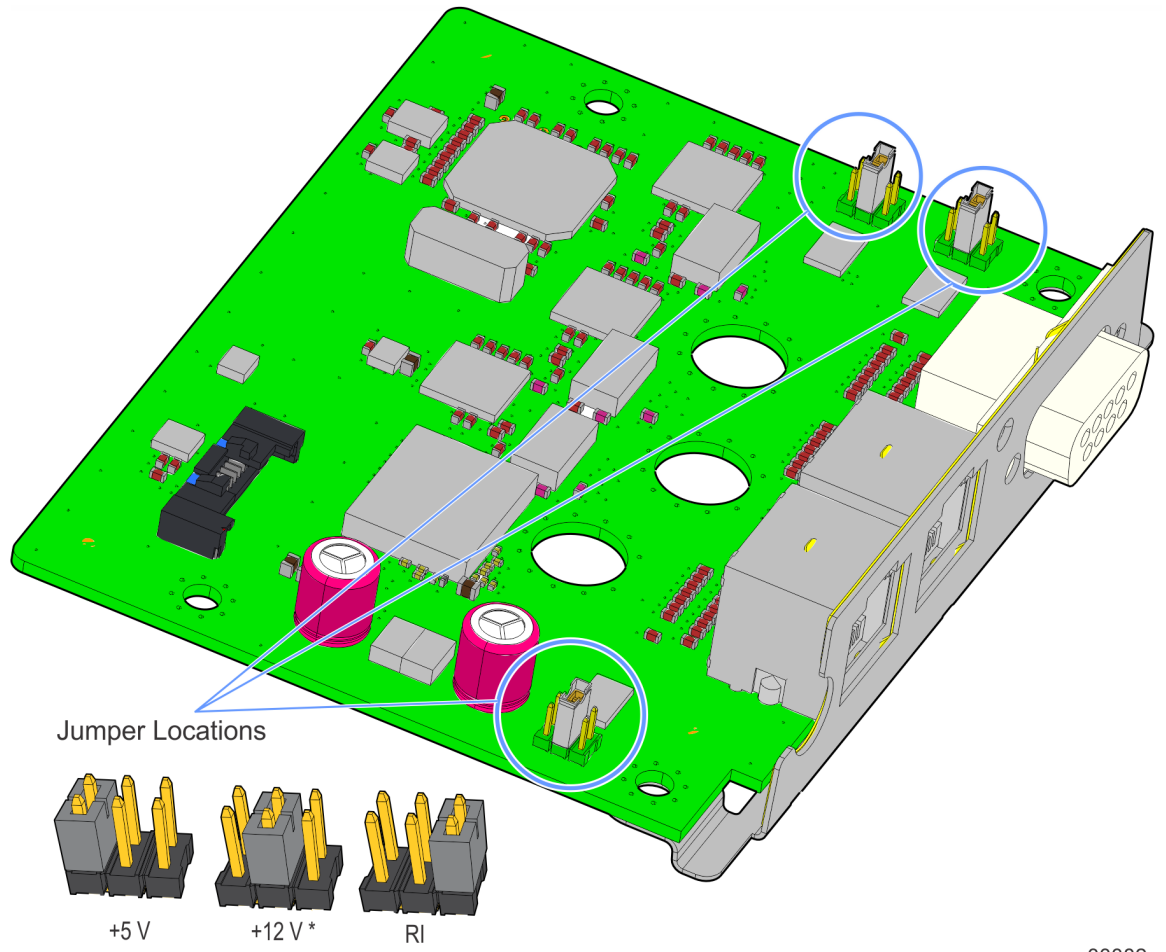


3. Remove the Expansion Board.



Adjusting the Jumpers

The jumpers are located as shown below. By default, they are set to 12V.



K161 COM Port Assignment

The diagram below identifies the default COM port settings when an NCR Windows OS/Gold image is loaded on the POS terminal. Device Manager should be used to identify the COM ports, if a custom/non-NCR image is loaded on the POS terminal.

