

KIT INSTRUCTIONS

Imaging Scanner

7702-K165
Issue A



The product described in this book is a licensed product of NCR Corporation.

NCR is a registered trademark of NCR Corporation. NCR RealPOS is a trademark of NCR Corporation in the United States and/or other countries. Other product names mentioned in this publication may be trademarks or registered trademarks of their respective companies and are hereby acknowledged.

The terms HDMI and HDMI High-Definition Multimedia Interface, and the HDMI Logo are trademarks or registered trademarks of HDMI Licensing LLC in the United States and other countries.

Where creation of derivative works, modifications or copies of this NCR copyrighted documentation is permitted under the terms and conditions of an agreement you have with NCR, NCR's copyright notice must be included.

It is the policy of NCR Corporation (NCR) to improve products as new technology, components, software, and firmware become available. NCR, therefore, reserves the right to change specifications without prior notice.

All features, functions, and operations described herein may not be marketed by NCR in all parts of the world. In some instances, photographs are of equipment prototypes. Therefore, before using this document, consult with your NCR representative or NCR office for information that is applicable and current.

To maintain the quality of our publications, we need your comments on the accuracy, clarity, organization, and value of this book. Please use the link below to send your comments.

Email: FD230036@ncr.com

Copyright © 2016
By NCR Corporation
Duluth, GA U.S.A.
All Rights Reserved

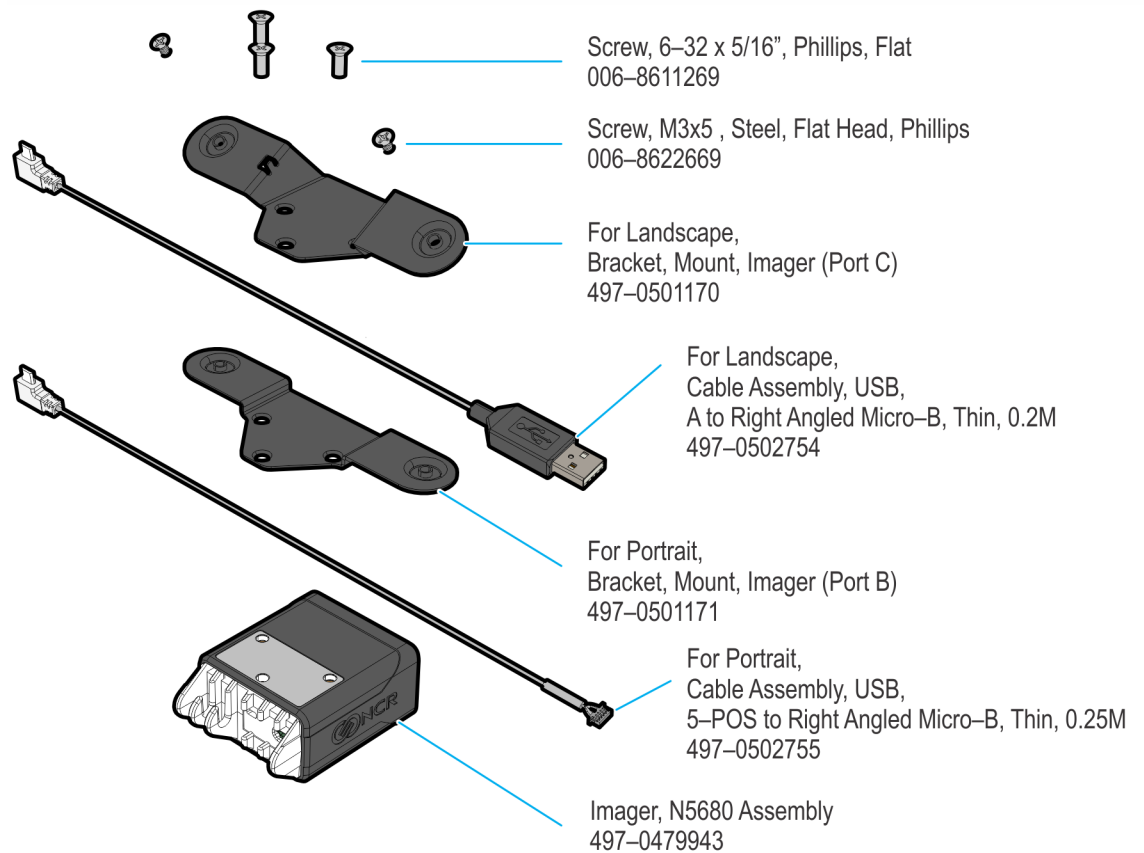
Revision Record

Issue	Date	Remarks
A	Feb 2016	First Issue

Imaging Scanner

This kit contains the components to add an Imaging Scanner to the 18.5" or 21.5" display of the RealPOS XR7 POS.

Kit Contents



Installation Procedure

The procedure for installing the Imaging Scanner will depend whether the RealPOS XR7 POS is configured horizontally or vertically.

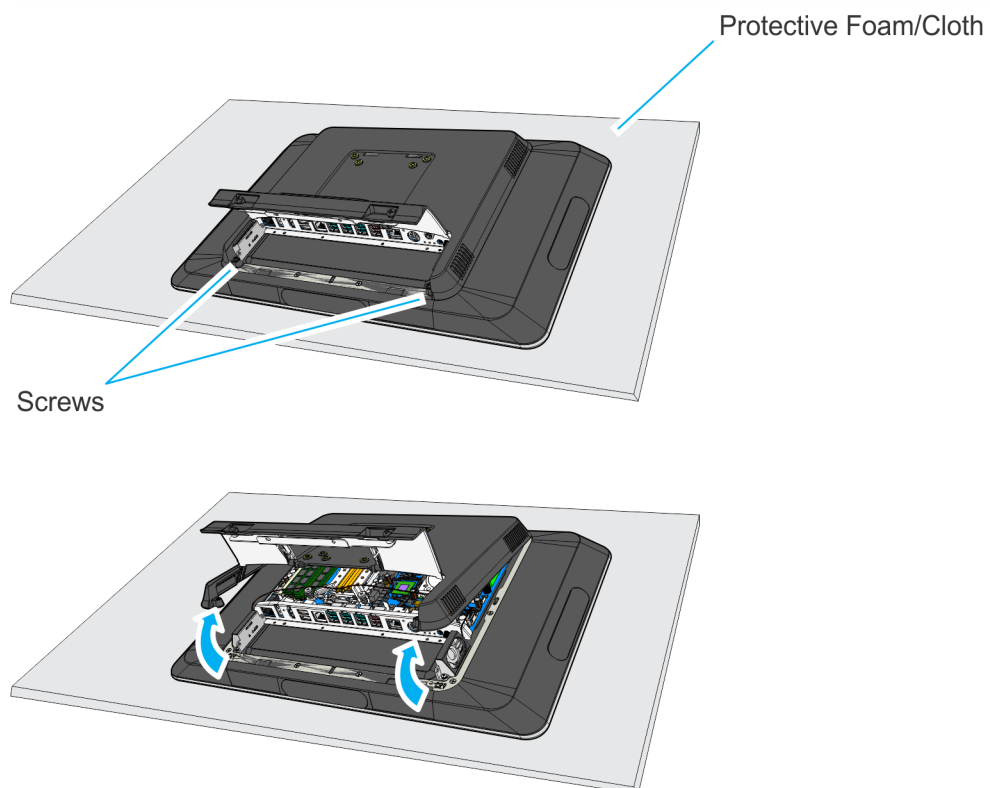
Landscape Configuration

1. Lay the terminal face down on a flat surface.

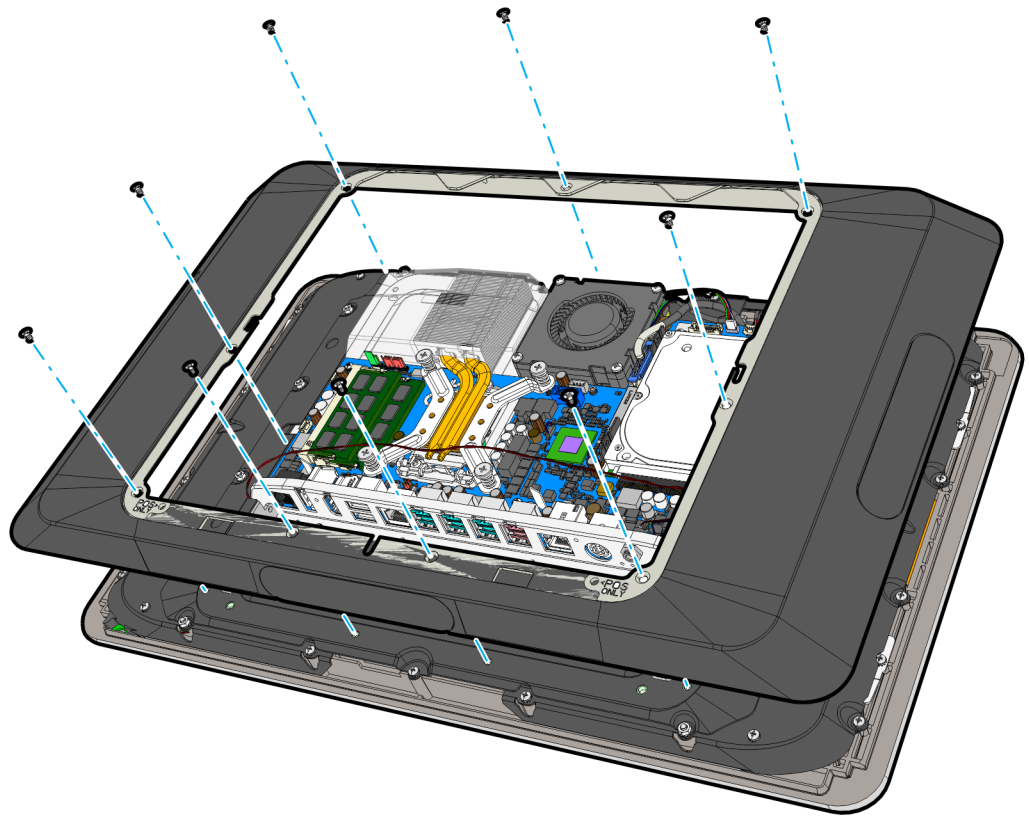


Caution: Always use a soft material (cloth, foam) to protect the display screen when placing the terminal face down.

2. Remove the Rear Cover.
 - a. Loosen the captive screws (2) that secure the Rear Cover to the chassis.
 - b. Pivot the Rear Cover as shown to remove it.

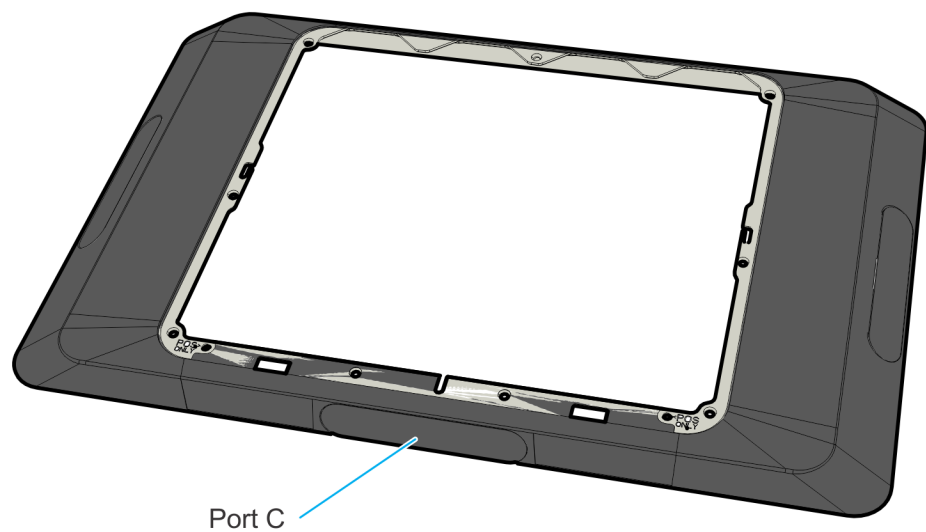


3. Remove the Display Collar (9 screws).



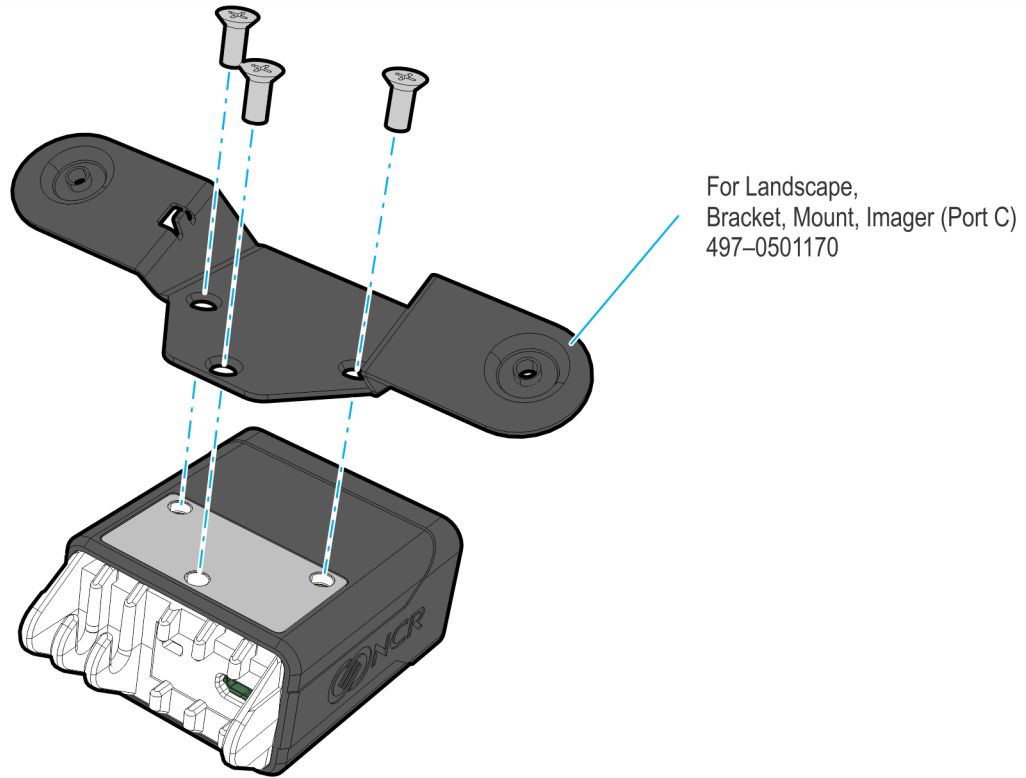
CCP-60637

4. Remove the Blank Plate from Port C of the Display Collar. The plate is connected to the Display Collar with a strong adhesive. Use care when removing it to not damage the Display Collar.



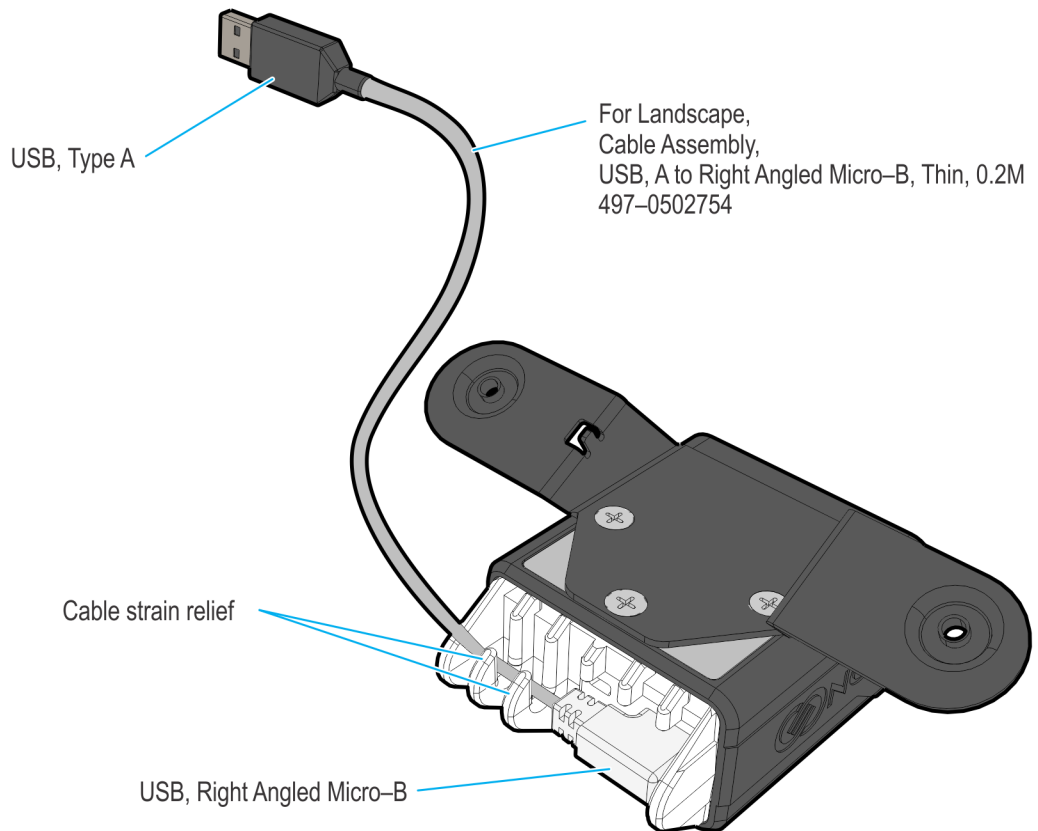
CCP-60638

5. Screw the landscape mounting bracket on the Imaging Scanner (3 screws).



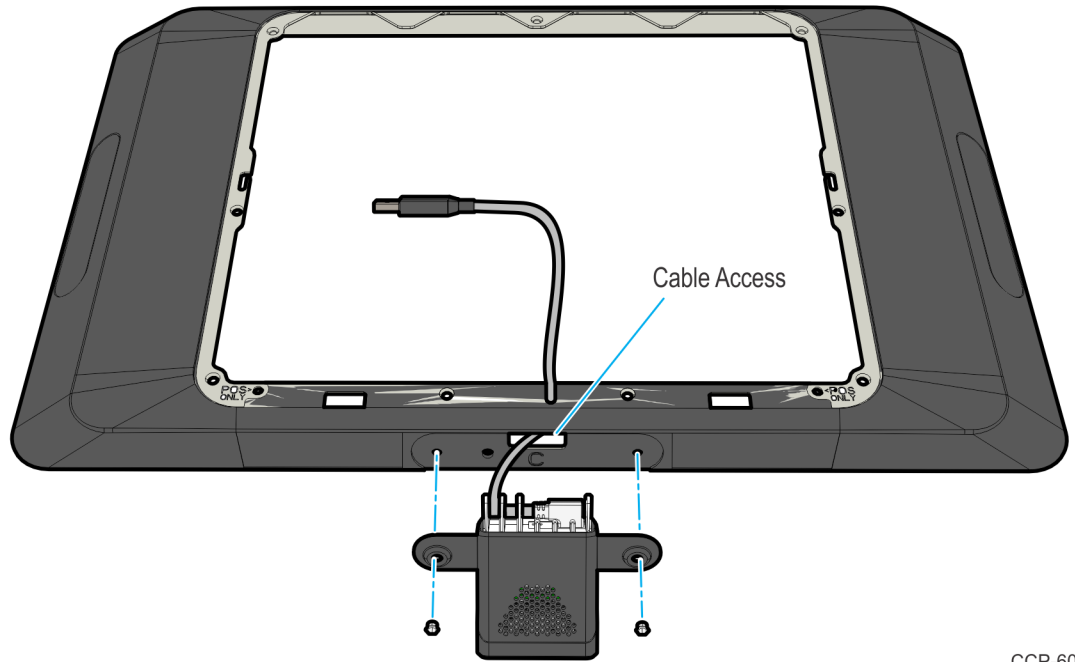
CCP-60639

6. Connect the Right Angled Micro-B end of the USB Cable to the Imaging Scanner and route the cable through the strain reliefs.



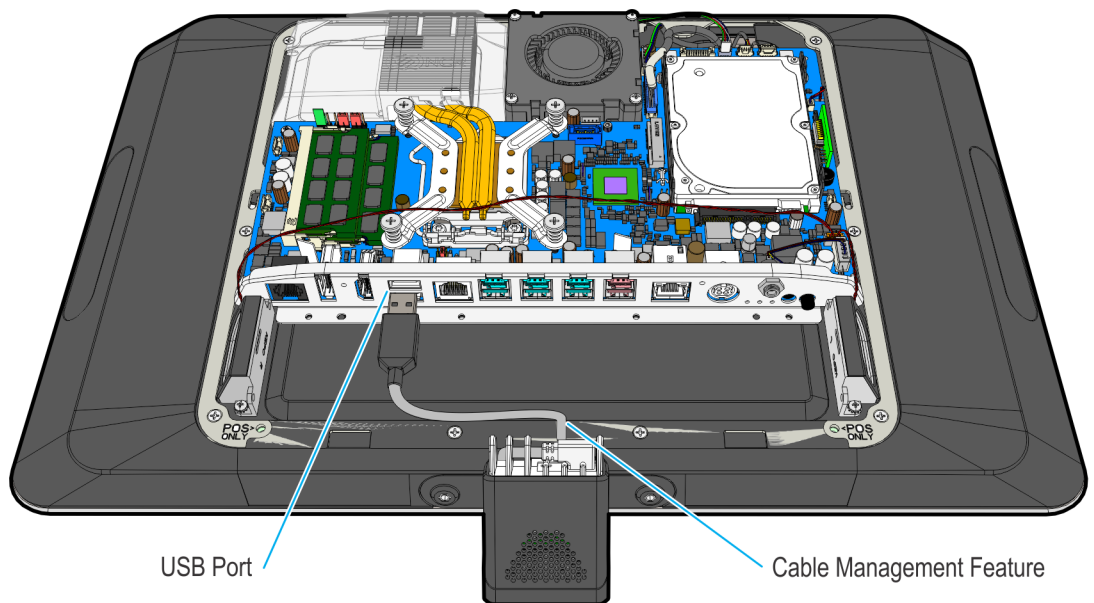
CCP-60640

7. Mount the Imaging Scanner on the Display Collar.
 - a. Route the USB cable through the cable access of the Display Collar.
 - b. Screw the mounting bracket with the Imaging Scanner onto Port C of the Display Collar (2 screws).



CCP-60641

8. Reinstall the Display Collar.
 - a. Route the cable onto the cable management feature of the collar.
 - b. Install the Display Collar onto the terminal (9 screws).
 - c. Connect the Type A end of the USB cable to the Motherboard.



CCP-60642

9. Replace the Rear Cover on the terminal.

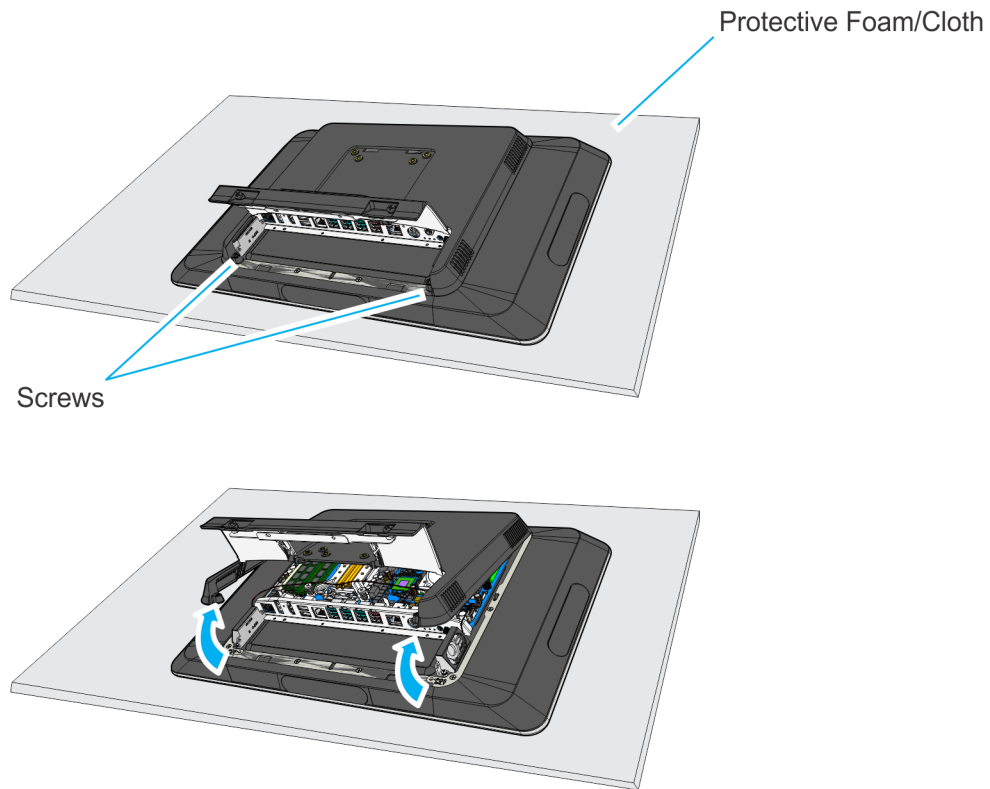
Portrait Configuration

1. Lay the terminal face down on a flat surface.

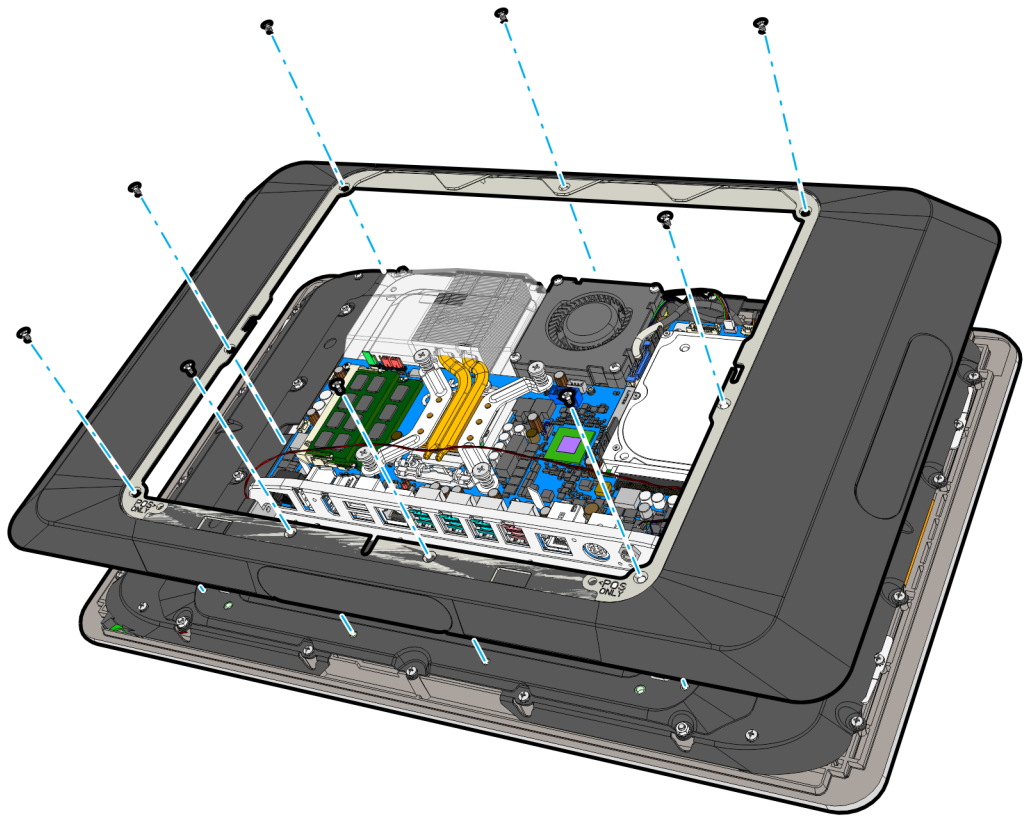


Caution: Always use a soft material (cloth, foam) to protect the display screen when placing the terminal face down.

2. Remove the Rear Cover.
 - a. Loosen the captive screws (2) that secure the Rear Cover to the chassis.
 - b. Pivot the Rear Cover as shown to remove it.



3. Remove the Display Collar (9 screws).



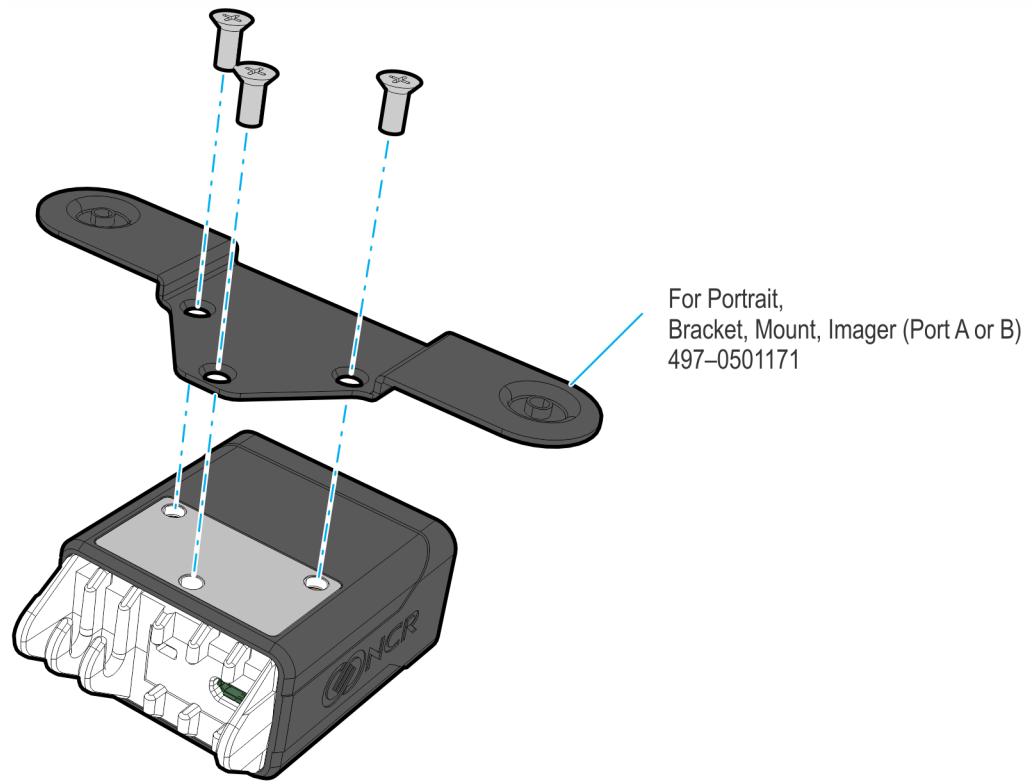
CCP-60637

4. Remove the Blank Plate from Port B of the Display Collar. The plate is connected to the Display Collar with a strong adhesive. Use care when removing it to not damage the Display Collar.



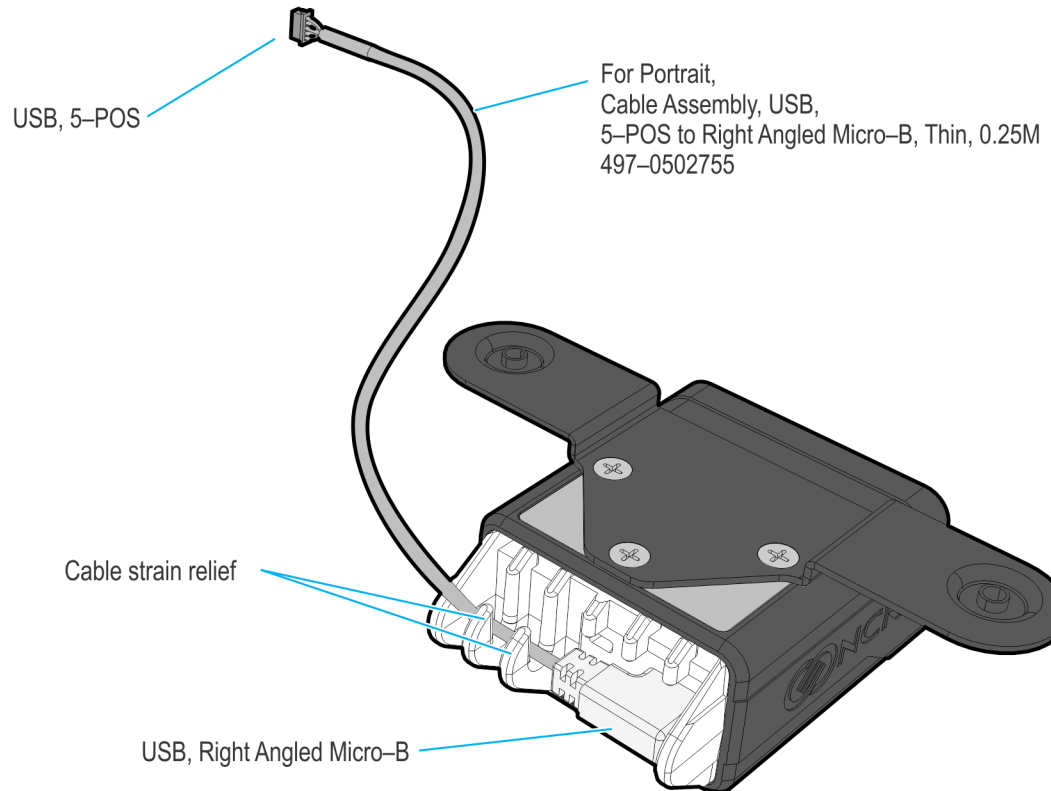
CCP-60707

5. Screw the portrait mounting bracket on the Imaging Scanner (3 screws).



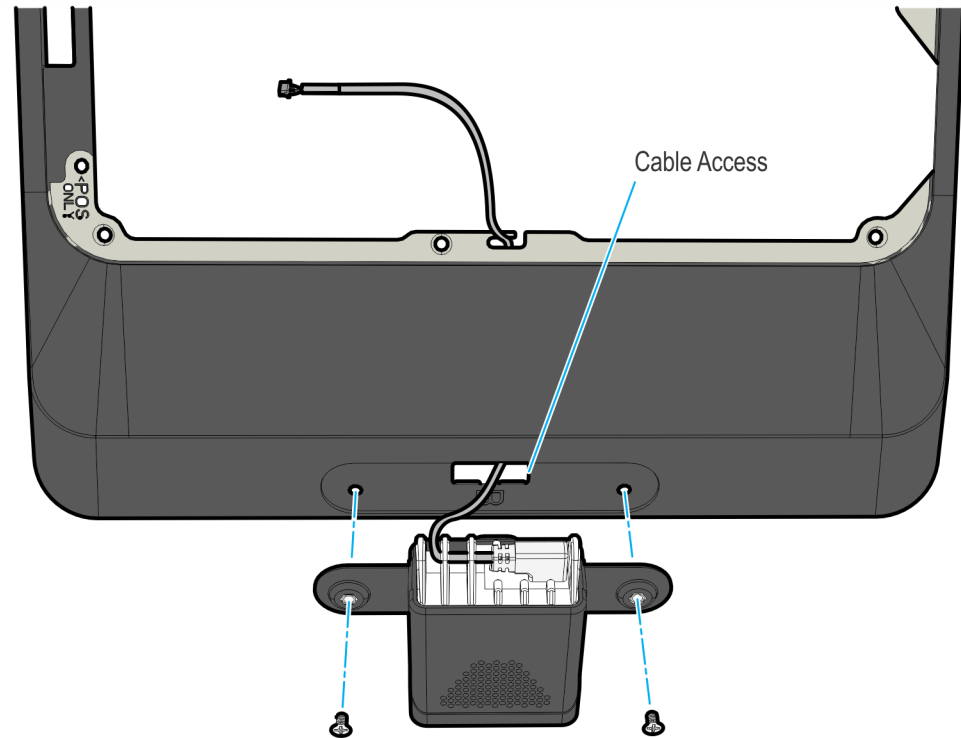
CCP-60644

6. Connect the Right Angled Micro-B end of the USB cable to the Imaging Scanner and route the cable through the strain reliefs.



CCP-60645

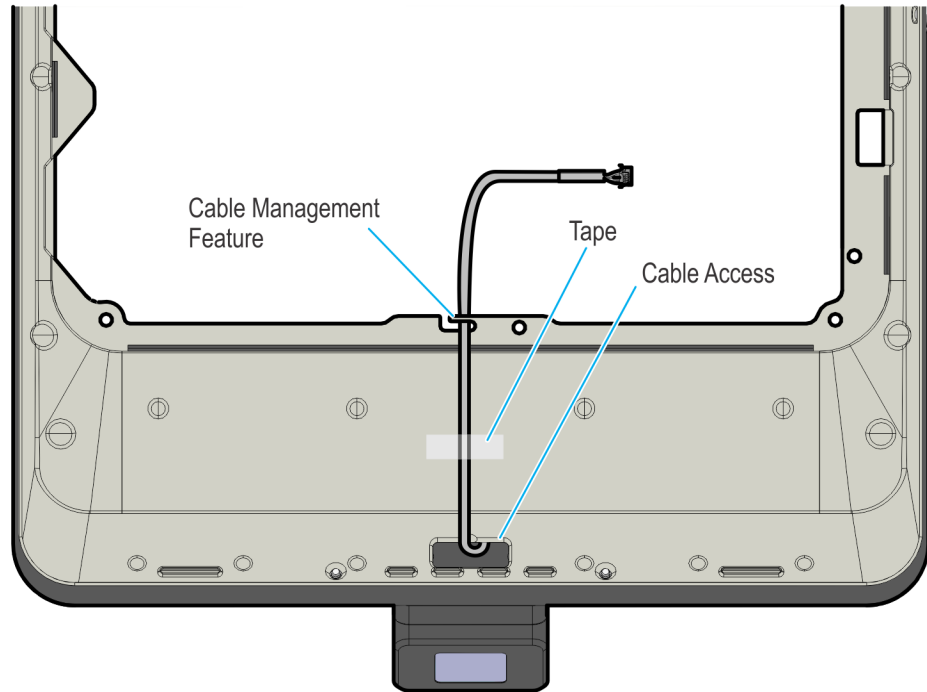
7. Mount the Imaging Scanner on the Display Collar.
 - a. Route the USB cable through the cable access of the Display Collar.
 - b. Screw the mounting bracket with the Imaging Scanner onto Port B of the collar (2 screws).



8. Route the cable through the cable management feature of the collar. Secure the cable with tape.

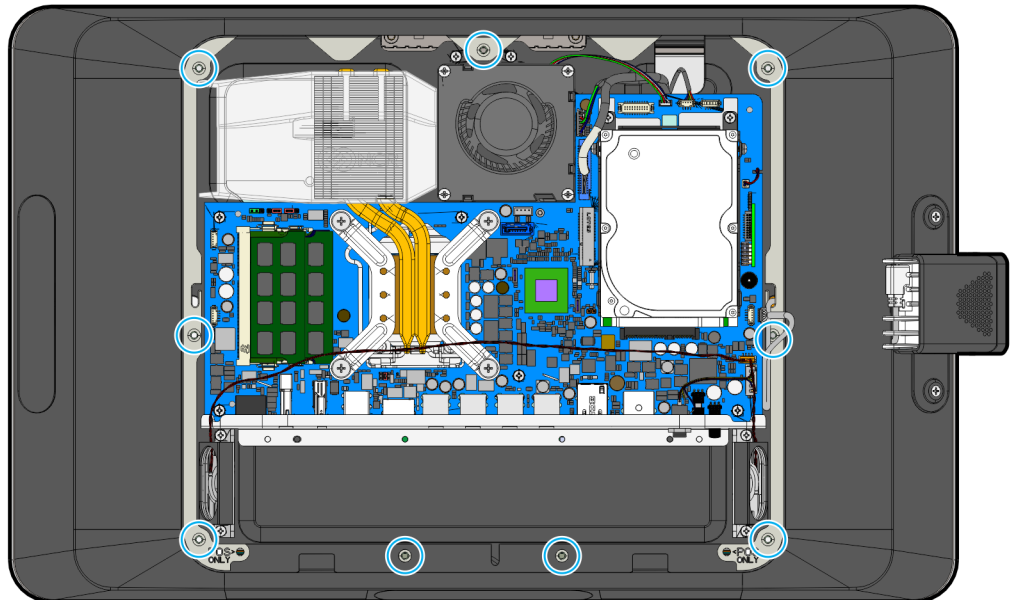


Note: Route the cable as straight as possible between the cable access and the cable management feature to avoid interference when reinstalling the display collar.



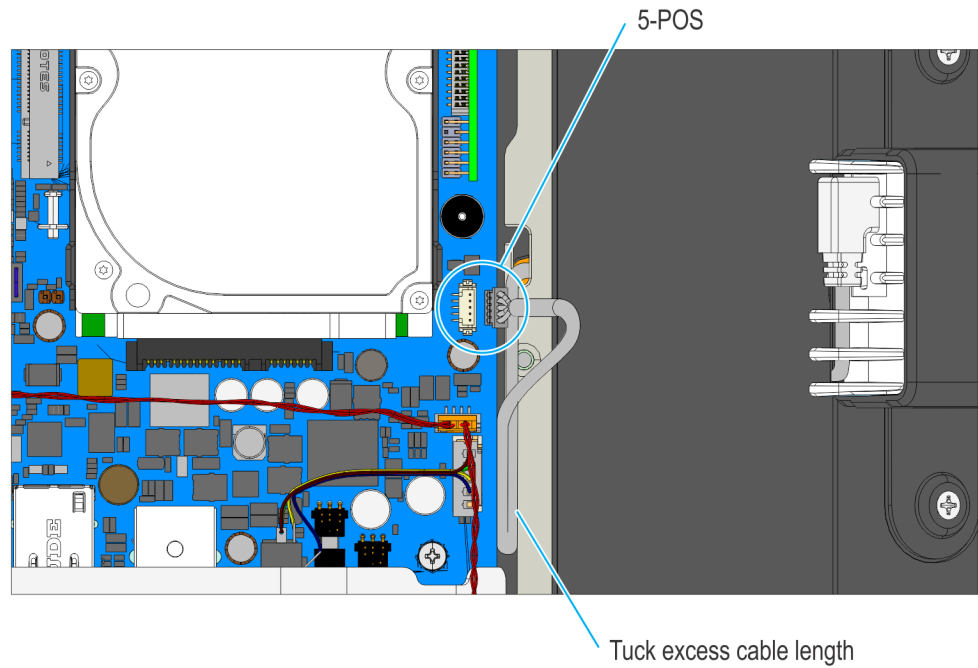
CCP-60647

9. Reinstall the Display Collar.
 - a. Install the Display Collar onto the terminal (9 screws).



CCP-60648

- b. Connect the 5-POS end of the USB cable to the Motherboard. Tuck excess cable length along the sides of the board.



CCP-60649

- 10. Replace the Rear Cover on the terminal.

