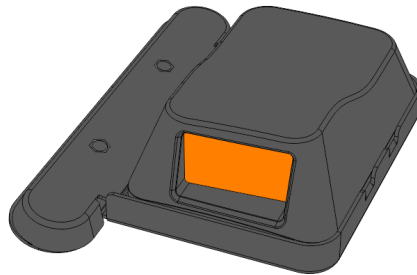


# KIT INSTRUCTIONS

## Side Mount Imager



7702-K170  
Issue D



---

The product described in this book is a licensed product of NCR Corporation.

NCR is a registered trademark of NCR Corporation. NCR RealPOS is a trademark of NCR Corporation in the United States and/or other countries. Other product names mentioned in this publication may be trademarks or registered trademarks of their respective companies and are hereby acknowledged.

The terms HDMI and HDMI High-Definition Multimedia Interface, and the HDMI Logo are trademarks or registered trademarks of HDMI Licensing LLC in the United States and other countries.

Where creation of derivative works, modifications or copies of this NCR copyrighted documentation is permitted under the terms and conditions of an agreement you have with NCR, NCR's copyright notice must be included.

It is the policy of NCR Corporation (NCR) to improve products as new technology, components, software, and firmware become available. NCR, therefore, reserves the right to change specifications without prior notice.

All features, functions, and operations described herein may not be marketed by NCR in all parts of the world. In some instances, photographs are of equipment prototypes. Therefore, before using this document, consult with your NCR representative or NCR office for information that is applicable and current.

To maintain the quality of our publications, we need your comments on the accuracy, clarity, organization, and value of this book. Please use the link below to send your comments.

*EMail:* [FD230036@ncr.com](mailto:FD230036@ncr.com)

Copyright © 2016–2019  
By NCR Corporation  
Global Headquarters  
864 Spring St NW  
Atlanta, GA 30308  
U.S.A.  
All Rights Reserved

## Revision Record

Issue	Date	Remarks
A	Nov 2016	First Issue
B	July 2018	Added installation instructions for 15" and 10.4" X-Series Displays
C	May 2019	Added Programming the Imager section
D	July 2019	Added Honeywell N5680 Programming Interface Modes

---

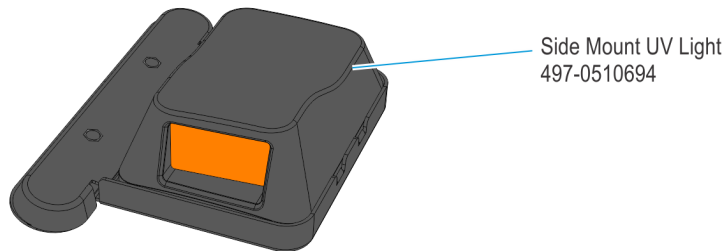
# Side Mount Imager

---

## Introduction

This kit provides a Side Mount Imager for the following:

- RealPOS XR5 (7701) POS
- RealPOS XR7 (7702) POS
- RealPOS XR7 Plus (7703) POS
- RealPOS X-Series Displays (5968/5985)



# Installation Procedure

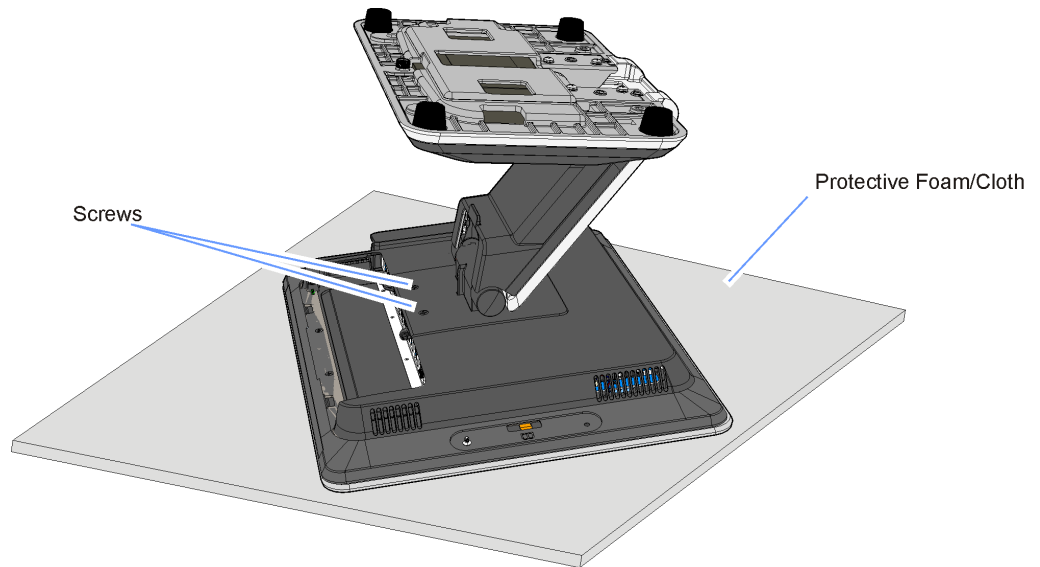
## RealPOS XR5/XR7/XR7 Plus (7701/7702/7703)

1. Lay the terminal face down on a flat surface.



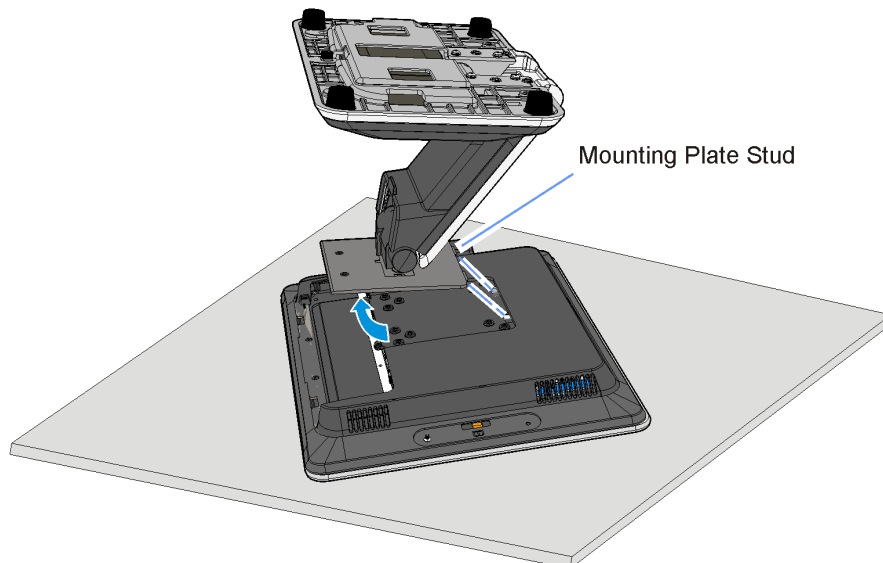
**Caution:** Always use a soft material (cloth, foam) to protect the display screen when placing the terminal face down.

2. Remove the Base Stand.
  - a. Remove the screws (2) that secure the Base Stand to the display.



32809

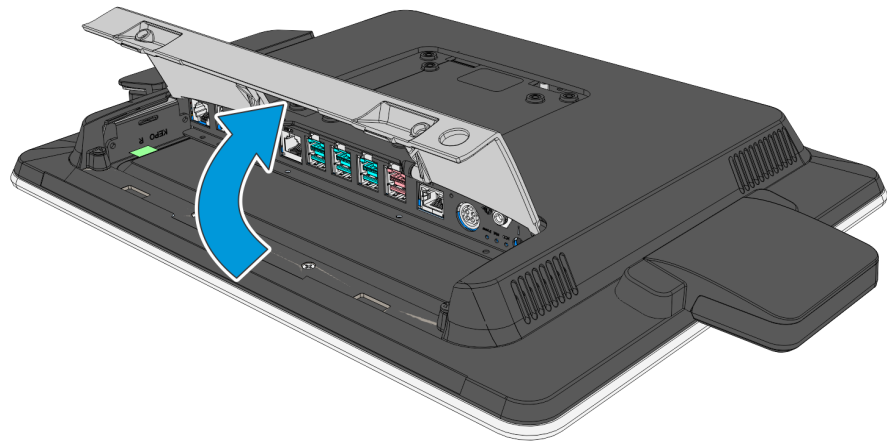
- b. Rotate the Base Stand upwards as shown and remove the Mounting Plate Studs (2) from the openings in the Rear Cover.



32808a

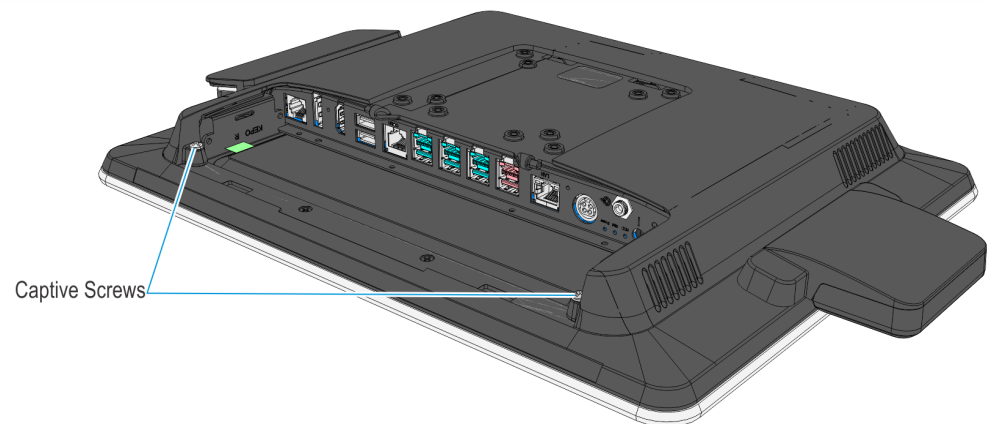


3. Remove the Rear Cover assembly.
  - a. Remove the Cable Cover.



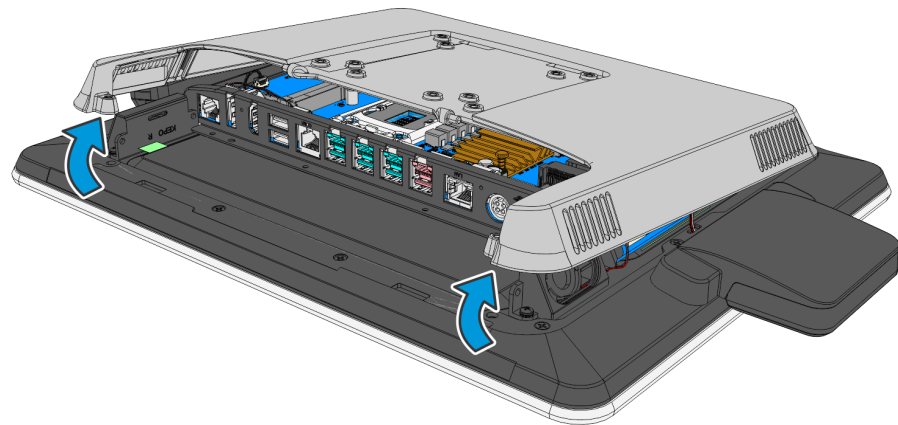
66052

- b. Loosen the captive screws (2) that secure the Rear Cover to the chassis.



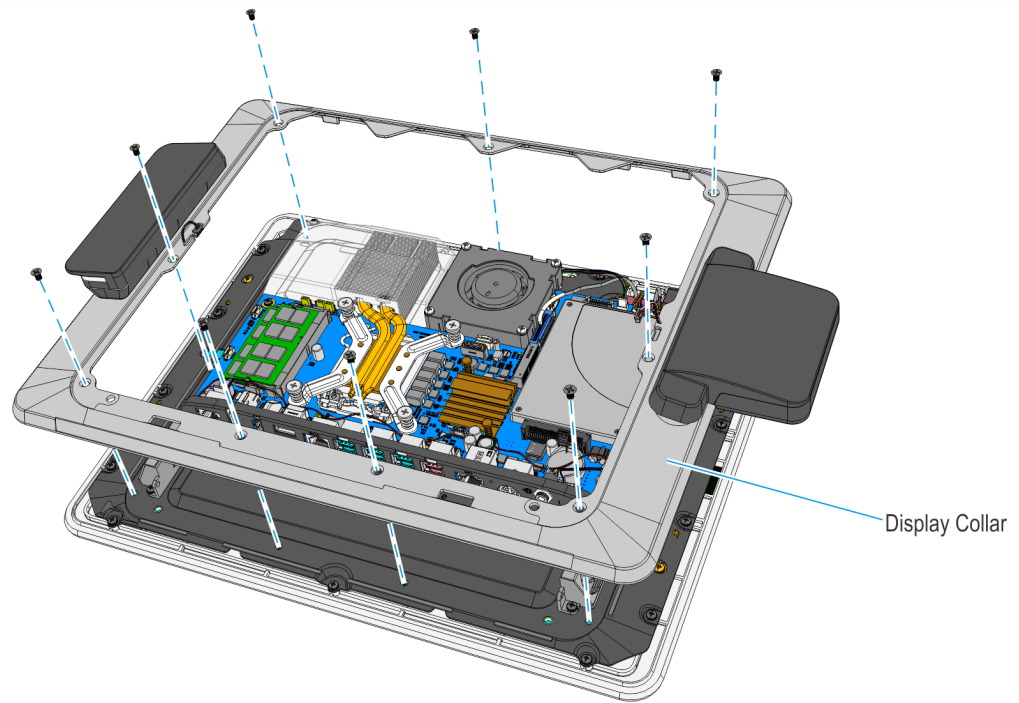
66053

- c. Pivot the assembly as shown to remove it.



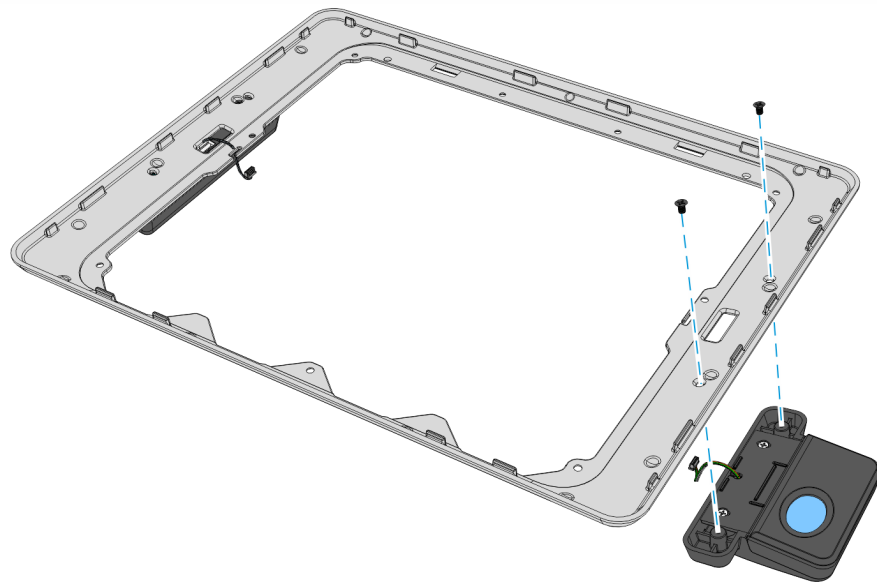
66054

4. Remove the screws (9) that secure the Display Collar.



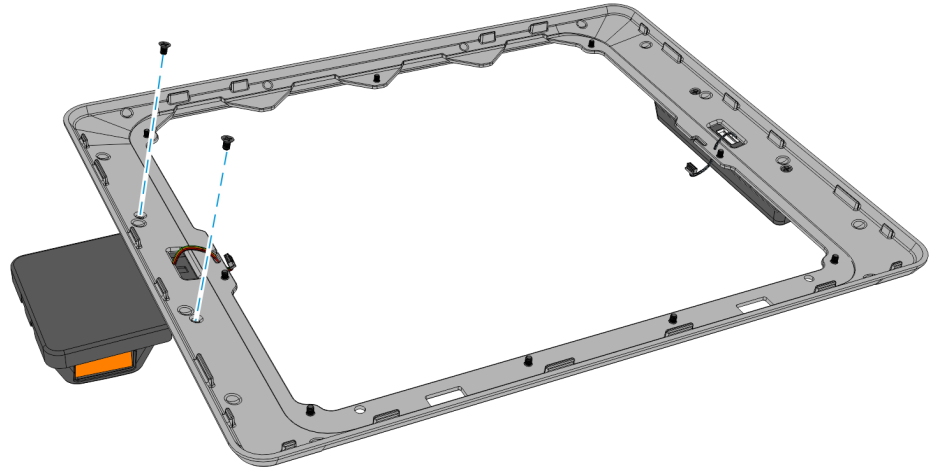
66060

5. Remove the blank plate or the side mount feature installed on the collar. In the illustration below, the biometric is removed by removing the screws (2) securing it.



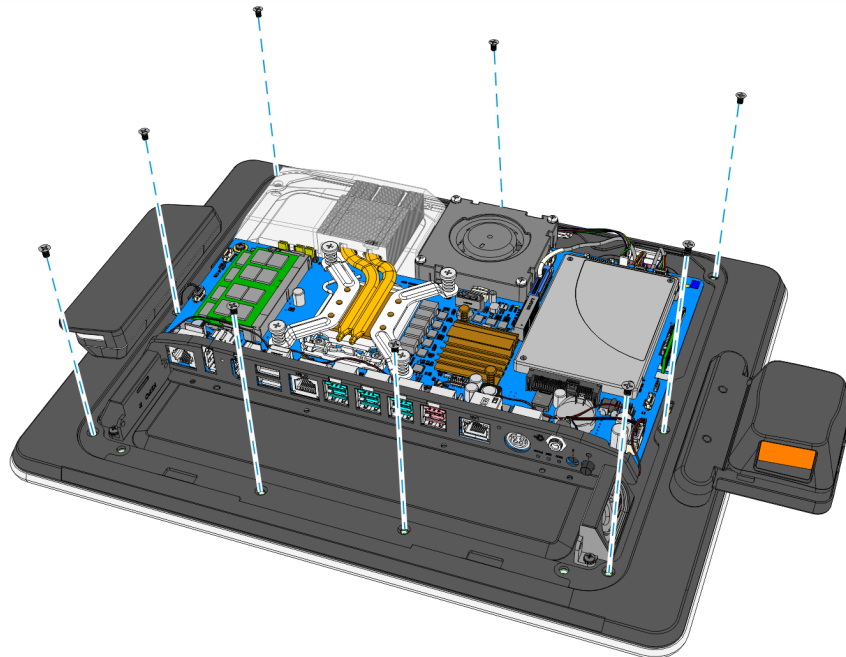
66061

6. Route the Imager cable through the slot in the collar. Install the Imager and secure with screws (2).



66066

7. Install the Display Collar and secure with screws (9).

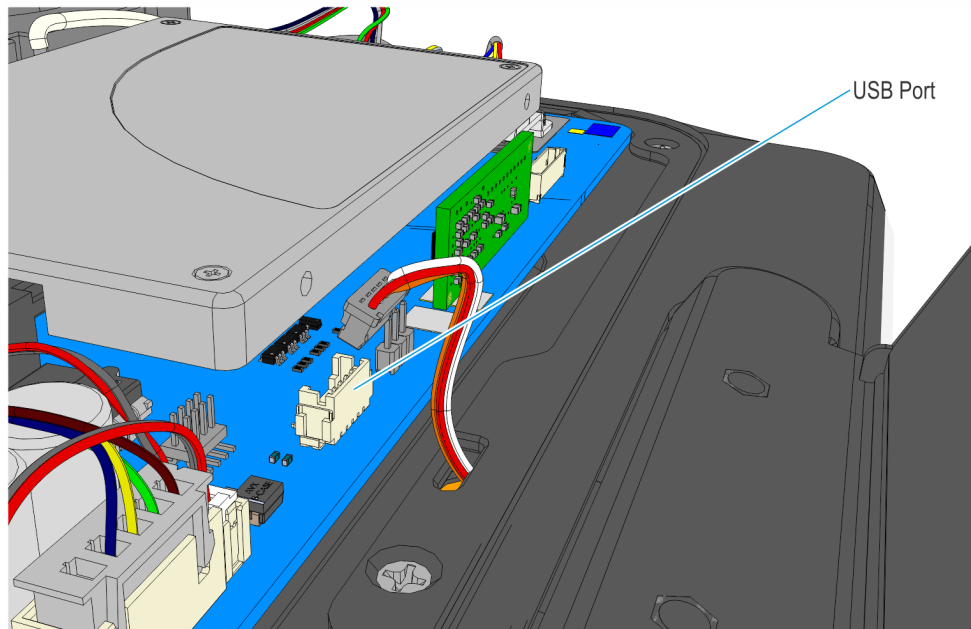


66067

8. Plug the cable into the USB port on the motherboard.



**Note:** Ensure that the cable does not get pinched by the Ebox cover.




66064

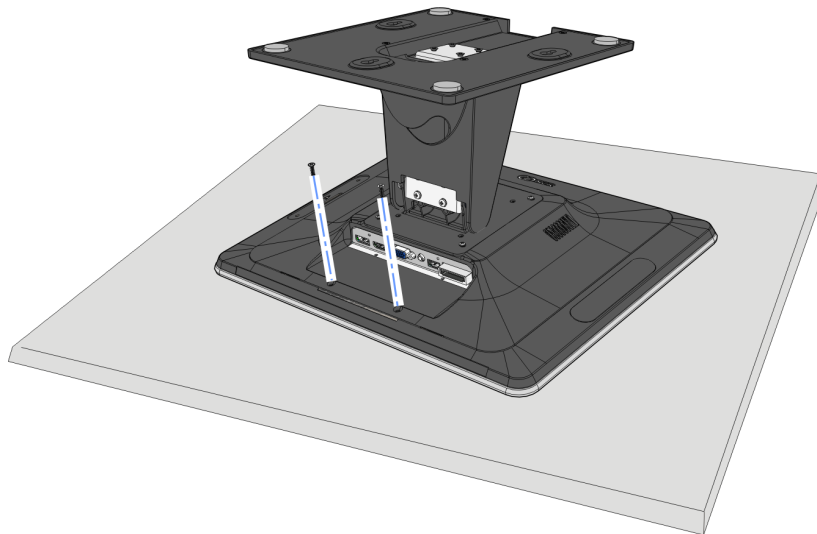
9. Reinstall the Rear Cover.
10. Reinstall the Stand.

## X-Series Displays (5968/5985)

### 15-inch X-Series Display

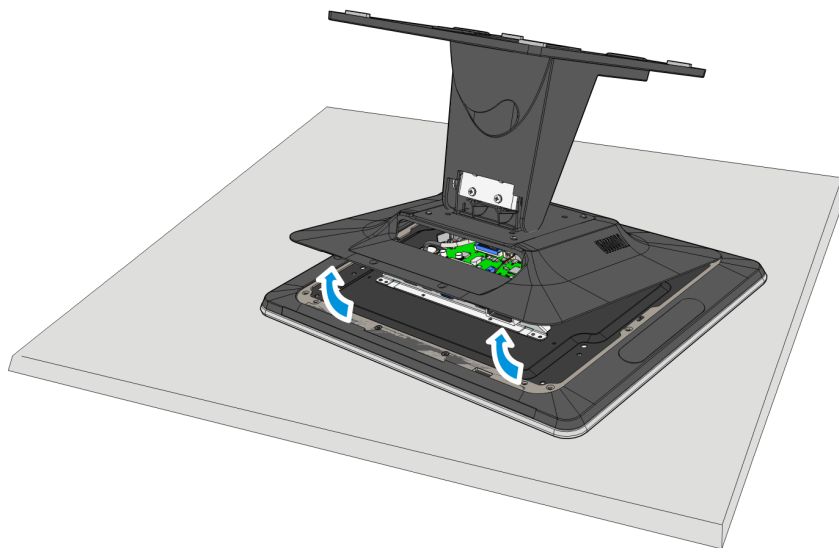
1. Remove the screws (2) that secure the Stand and Rear Cover to the display.

 **Caution:** Always use a soft material (cloth, foam) to protect the display screen when placing the terminal face down.



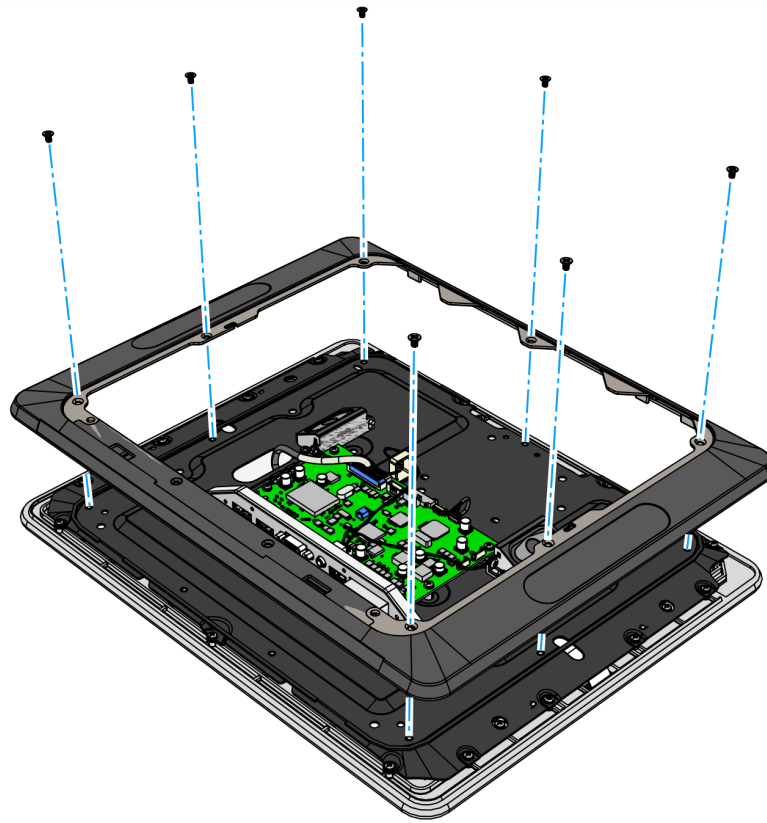
33867

2. Pivot the Stand and Rear Cover assembly as shown to remove it.



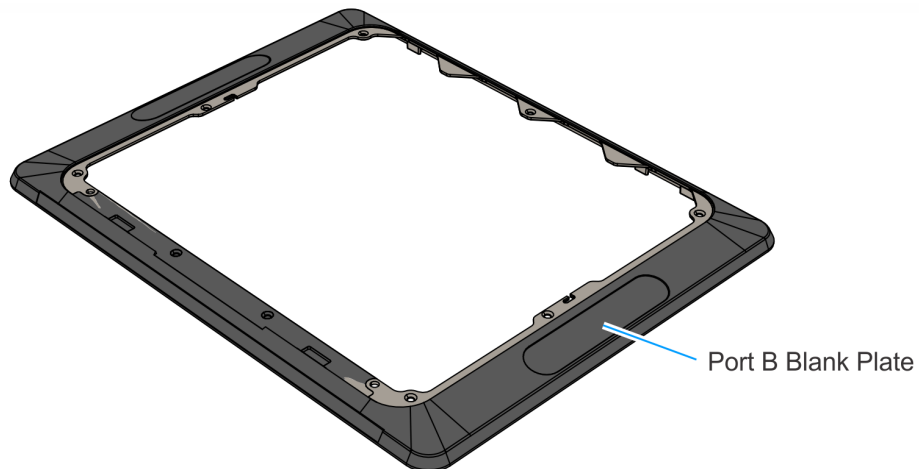
33868

3. Remove the Display Collar (7 screws).



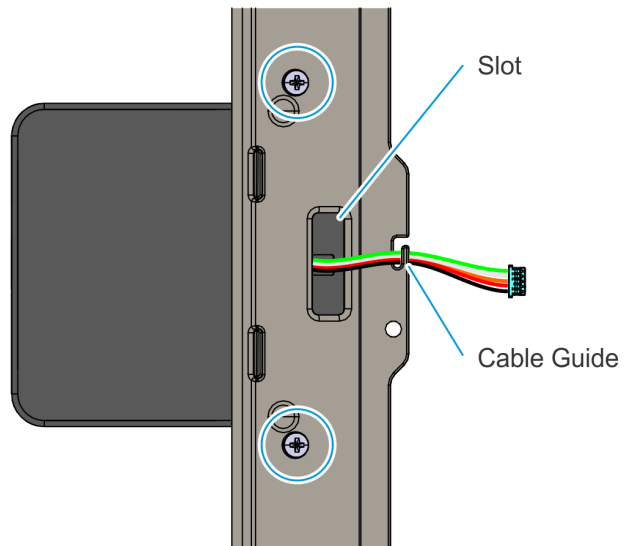
CCP-73999

4. Remove the Port B Blank Plate from the Display Collar. The plate is attached to the Display Collar with a strong adhesive. Use care when removing it to not damage the Display Collar.



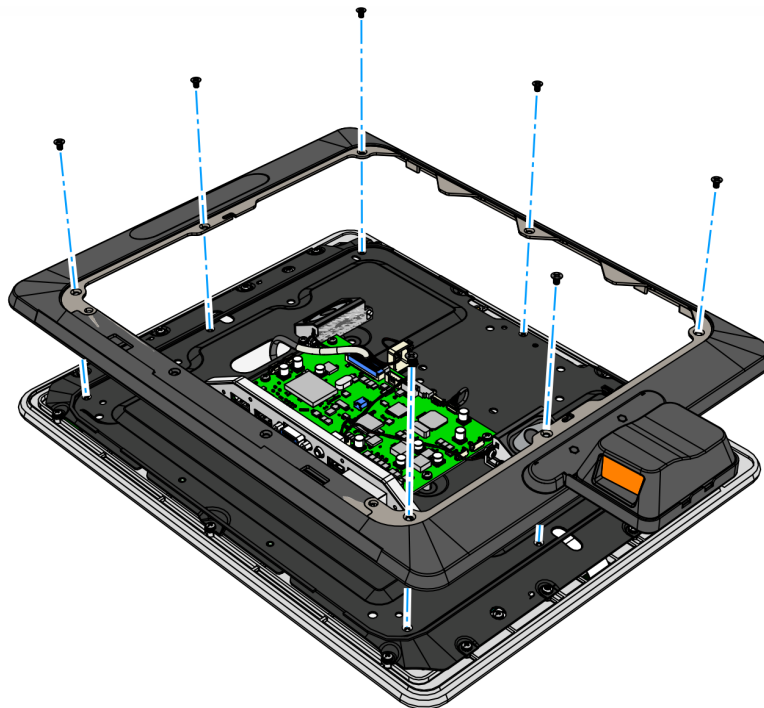
CCP-74900

5. Route the Imager Cable through the slot and cable guide on the Display Collar as shown. Install the Imager with screws (2).



CCP-74915

6. Install the Display Collar on the terminal (7 screws).

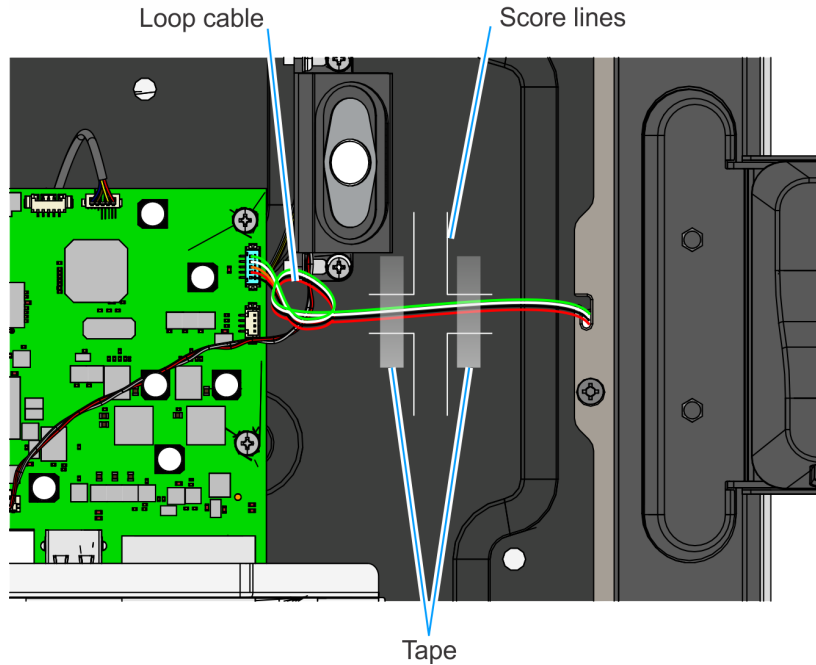


CCP-74901

7. Loop the Imager Cable to reduce excess length and connect the Imager Cable into the USB port on the motherboard.



**Note:** Tape the Imager Cable on the Display Collar as shown to ensure the cable does not get pinched when the Rear Cover is installed.




CCP-74902

8. Reinstall the Stand and Rear Cover assembly.

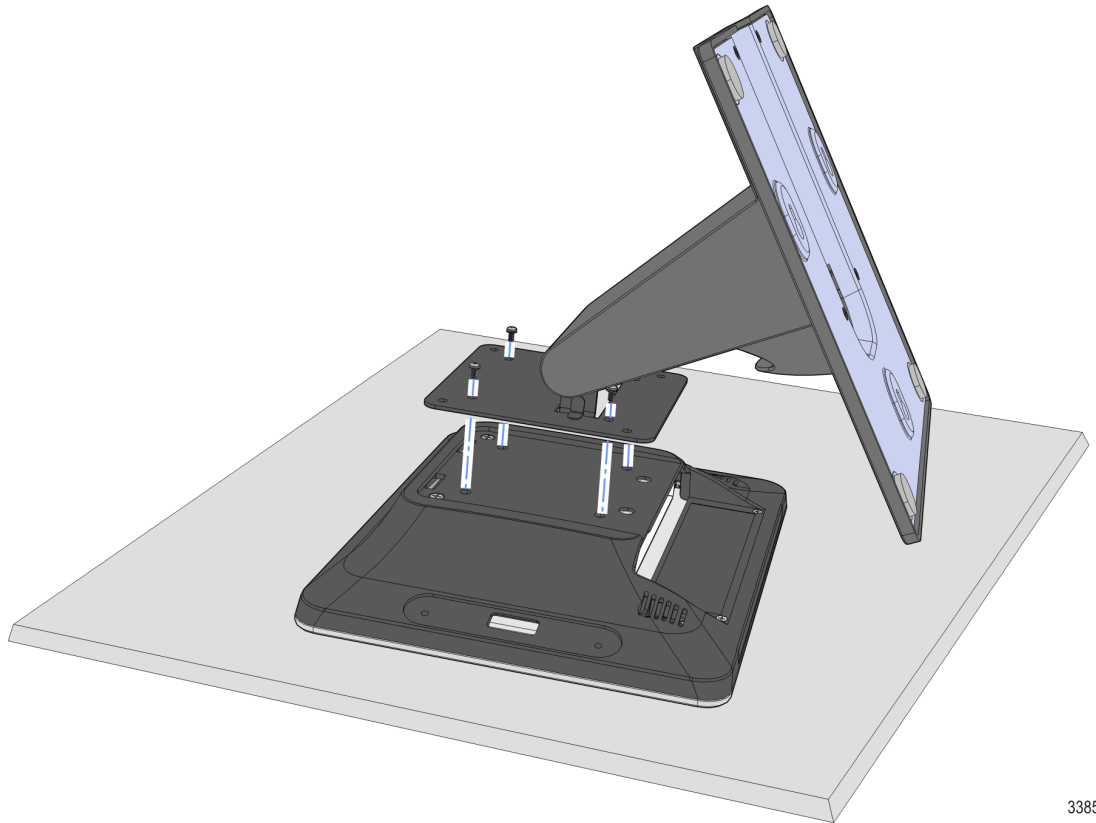


## 10.4-inch X-Series Display

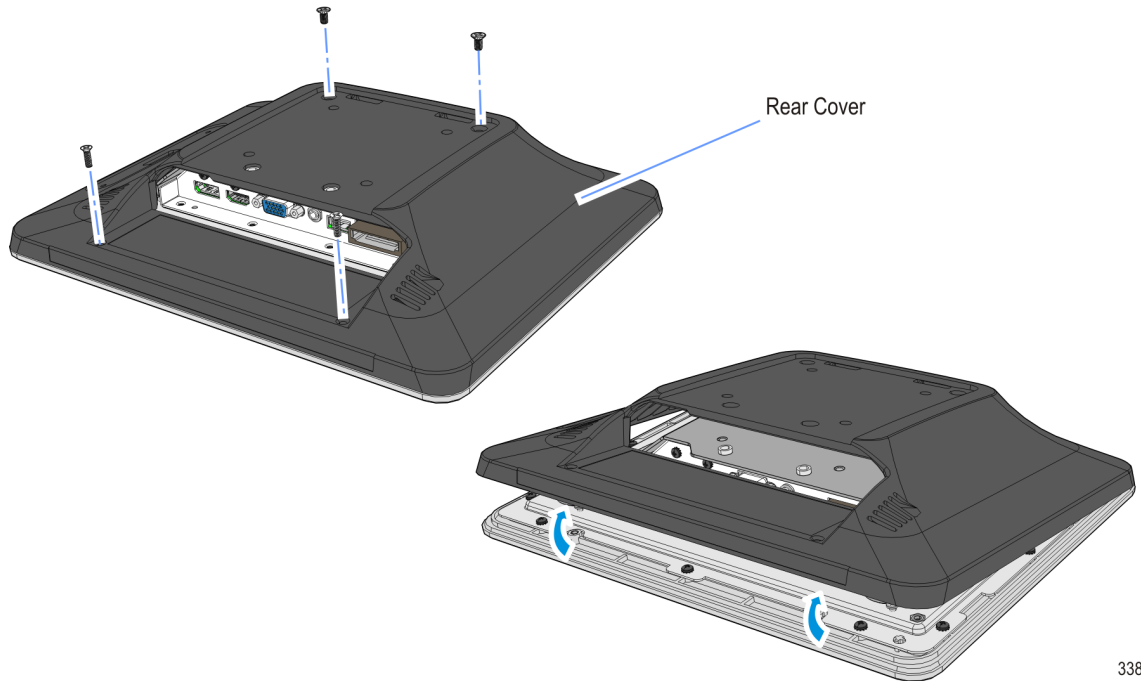
1. Lay the terminal face down on a flat surface.

 **Caution:** Always use a soft material (cloth, foam) to protect the display screen when placing the terminal face down.

2. Remove the screws (4) that secure the Mount to the display.

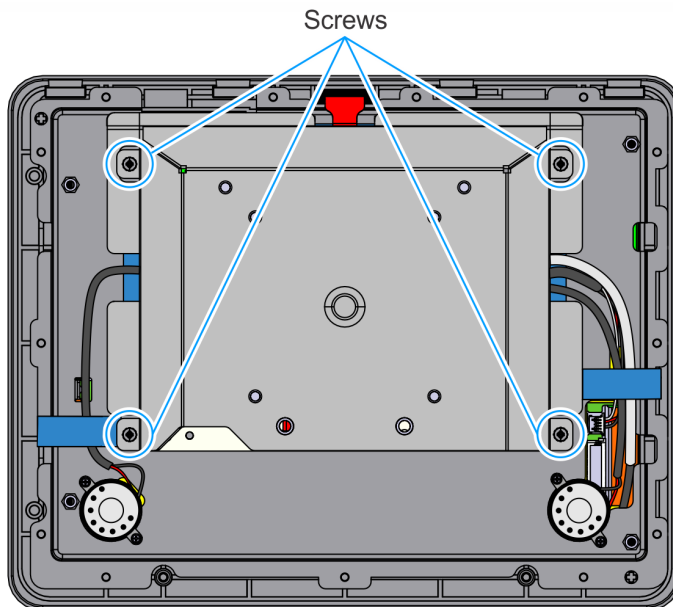


3. Remove the Rear Cover.
  - a. Remove the Rear Cover screws (4).
  - b. Pivot the Rear Cover as shown to remove it.



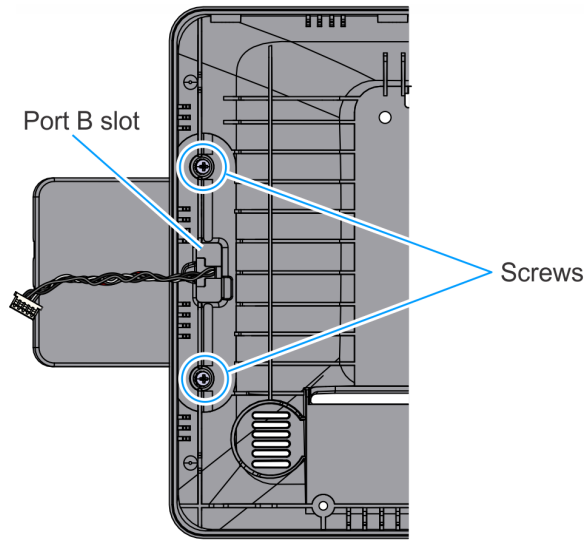
33857

4. Remove the EBox Cover (4 screws).



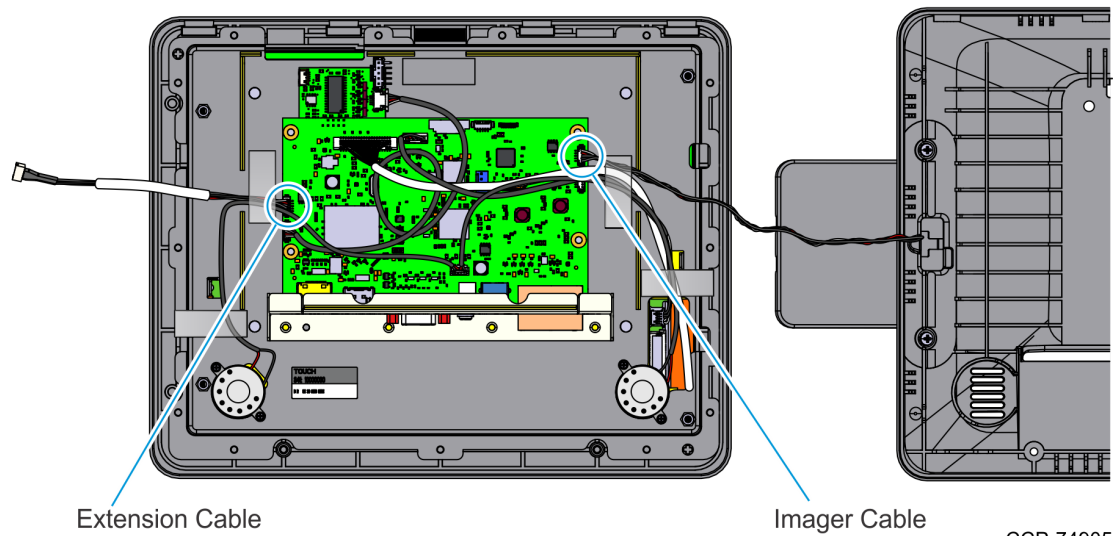
CCP-74903

5. Route the Imager Cable through the Port B slot in the Rear Cover. Install the Imager and secure with screws (2).



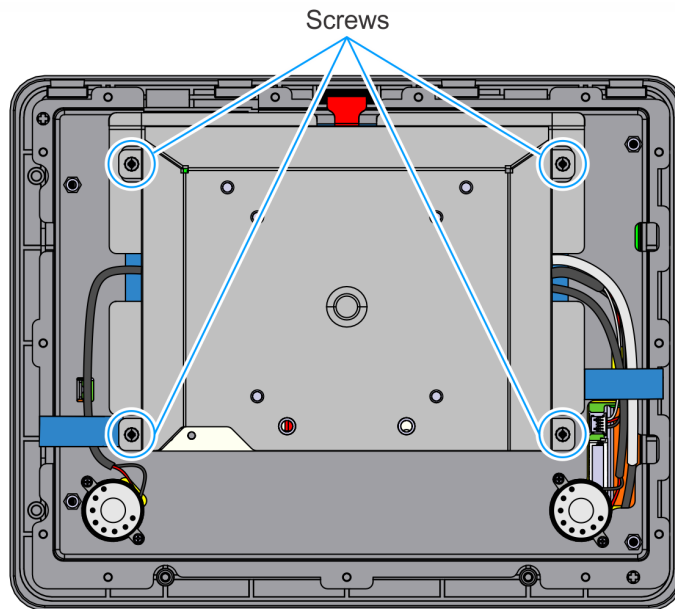
CCP-74904

6. Connect the Port A Extension Cable and Port B Imager Cable to the Video Board.



CCP-74905

7. Reinstall the EBox Cover (4 screws).

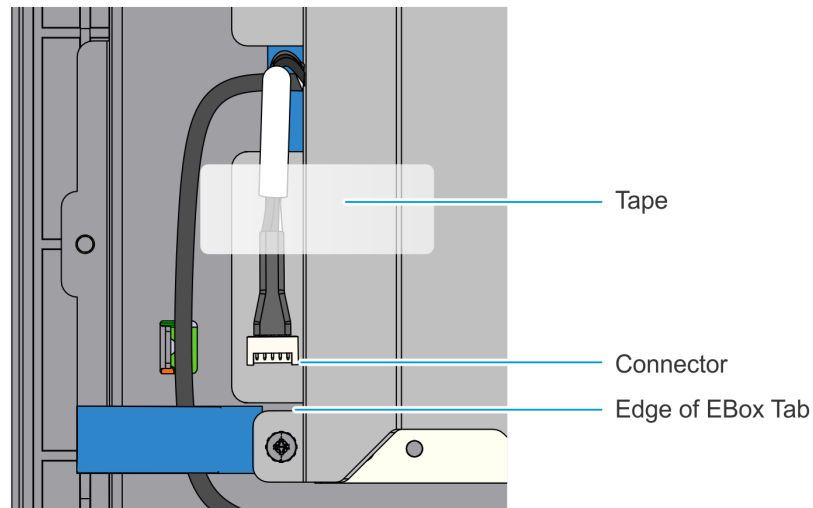


CCP-74903

8. Secure the Port A Cable to the EBox Cover:

**Without Port A Peripheral**

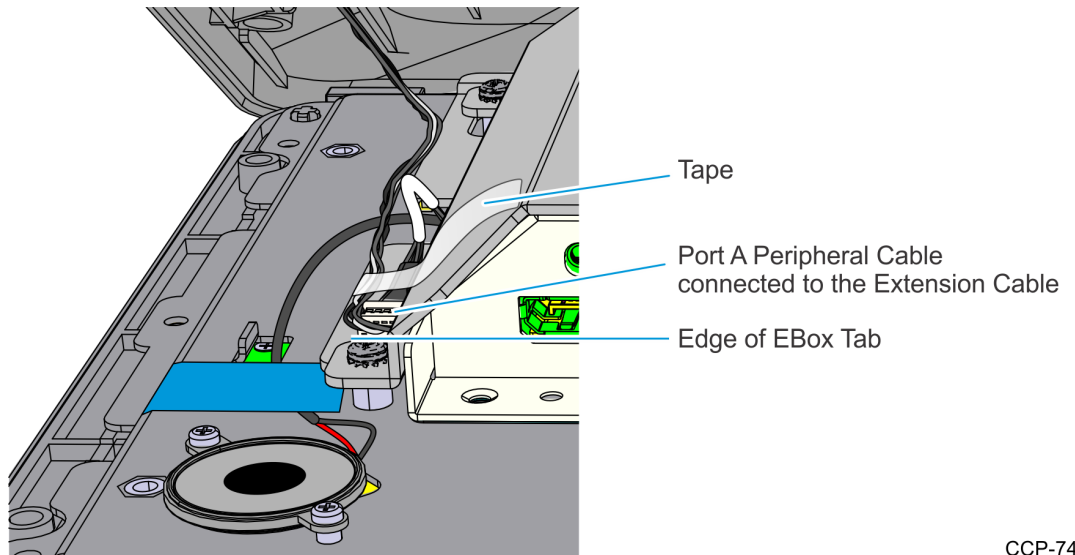
- a. Tape the Port A Extension Cable to the side of the EBox Cover as shown. Ensure the connector does not overhang on the edge of the EBox Tab.



CCP-74906

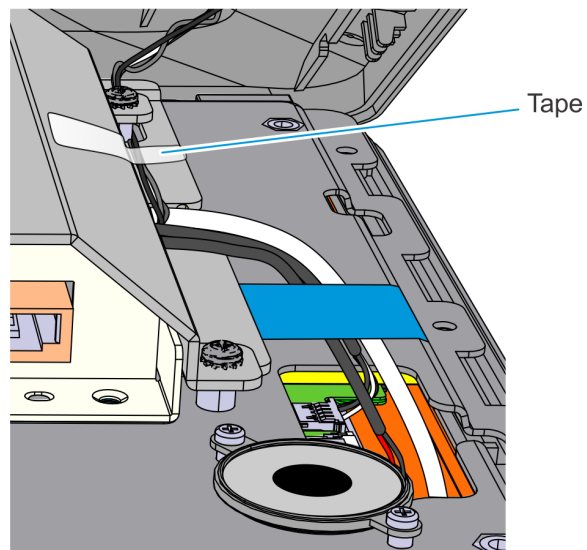
**With Port A Peripheral**

- a. Connect the Port A Peripheral Cable to the Extension Cable.
- b. Tape the Port A Peripheral Cable and Extension Cable to the side of the EBox Cover as shown. Ensure the connector does not overhang on the edge of the Ebox Tab.



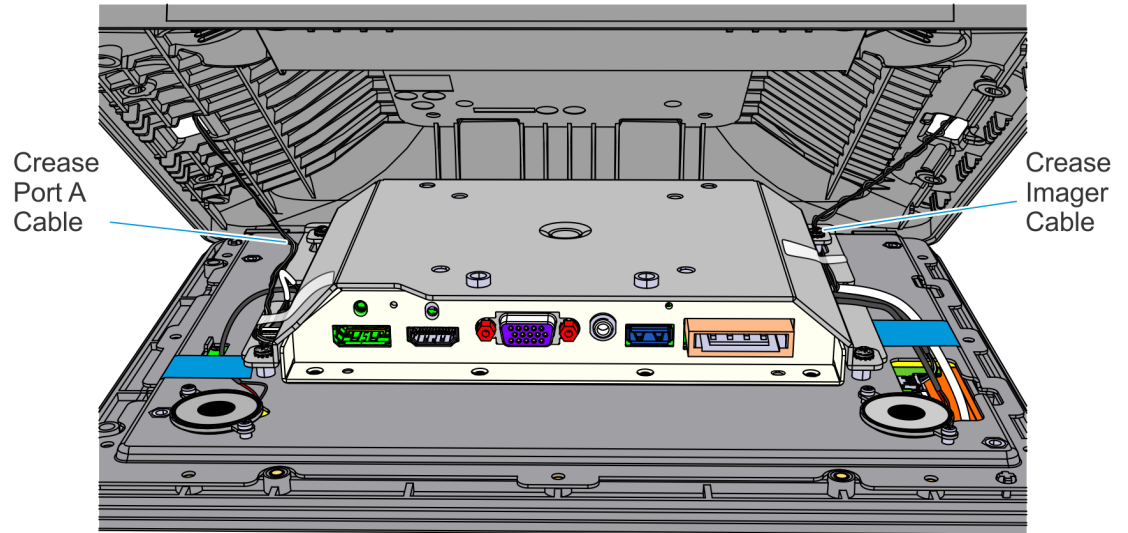
CCP-74913

9. Tape the Port B Imager Cable to the side of the EBox Cover as shown.



CCP-74914

10. Crease the Port A Peripheral Cable and Port B Imager Cable to ensure there are no cables on top of the EBox Cover. Reinstall the Rear Cover.



CCP-74907

## Programming the Imager

To program the imager to read mobile devices and paper, and to fix reading distance loss (depth of field compensation), scan these codes in sequence:

1. PAPSHP; PAPPSC



2. PDCFEX3



## Honeywell N5680 Programming Interface Modes

Firmware: BI000514ABK

### USB IBM SurePos (Default setting)

For use with the HSR–BCS scanner driver. The BCS driver adds sentinels for use in Aloha. Download the BCS Driver from:

<file:///susalp095/dev/Product%20Development/Product%20Builds/RCP/PCPlatform/BCSInterface>

- Program settings: MNUCDP;PAPSPT;PAPSPC;MNUCDS;DEFAULT



### USB HID Keyboard

For creating a USB HID Keyboard emulation mode used in 3rd party apps and Winnows Compact.



**Note:** Not for Aloha. For Aloha, use BCS Scanner software and USB IBM SurePos configuration. For more information, refer to [USB IBM SurePos \(Default setting\)](#) above.

- Program settings: MNUCDP;PAP124;PAPSPC;MNUCDS;DEFAULT.



## USB HID for OPOS

For programming using EZ-Config and direct serial communication. Must install Honeywell OPOS drivers. Download the drivers from <http://www.honeywellaidc.com/en-GB/Pages/Product.aspx?category=OEM-scanner&cat=HSM&pid=N5600>

- Scanner settings: Activate Defaults [DEFAULT]; USB HID [PAP131]; Streaming Presentation – Mobile Phone [PAPSPC]; (Optional) Carriage Return Suffix All Symbolologies [VSUFGR]



## USB Serial



**Caution:** This can deactivate the scanner unless the Honeywell driver is loaded.

For programming using EZ-Config and direct serial communication. Must install Honeywell Virtual Serial HSM drivers and/or EZ-Cong Utility. Download the drivers from: <http://www.honeywellaidc.com/en-GB/Pages/Product.aspx?category=OEM-scanner&cat=HSM&pid=N5600>

- Scanner settings: Activate Defaults (DEFAULT); USB Serial (TERMID130) ; (Optional) Carriage Return Suffix All Symbolologies [VSUFGR]

### Serial without Carriage Return



### Optional Serial with Carriage Return

