

KIT INSTRUCTIONS

Wall Mount

7702-K320
Issue D



The product described in this book is a licensed product of NCR Corporation.

NCR is a registered trademark of NCR Corporation. NCR RealPOS is a trademark of NCR Corporation in the United States and/or other countries. Other product names mentioned in this publication may be trademarks or registered trademarks of their respective companies and are hereby acknowledged.

The terms HDMI and HDMI High-Definition Multimedia Interface, and the HDMI Logo are trademarks or registered trademarks of HDMI Licensing LLC in the United States and other countries.

Where creation of derivative works, modifications or copies of this NCR copyrighted documentation is permitted under the terms and conditions of an agreement you have with NCR, NCR's copyright notice must be included.

It is the policy of NCR Corporation (NCR) to improve products as new technology, components, software, and firmware become available. NCR, therefore, reserves the right to change specifications without prior notice.

All features, functions, and operations described herein may not be marketed by NCR in all parts of the world. In some instances, photographs are of equipment prototypes. Therefore, before using this document, consult with your NCR representative or NCR office for information that is applicable and current.

To maintain the quality of our publications, we need your comments on the accuracy, clarity, organization, and value of this book. Please use the link below to send your comments.

Email: FD230036@ncr.com

Copyright © 2014–2018

By NCR Corporation

Atlanta, GA U.S.A.

All Rights Reserved

Revision Record

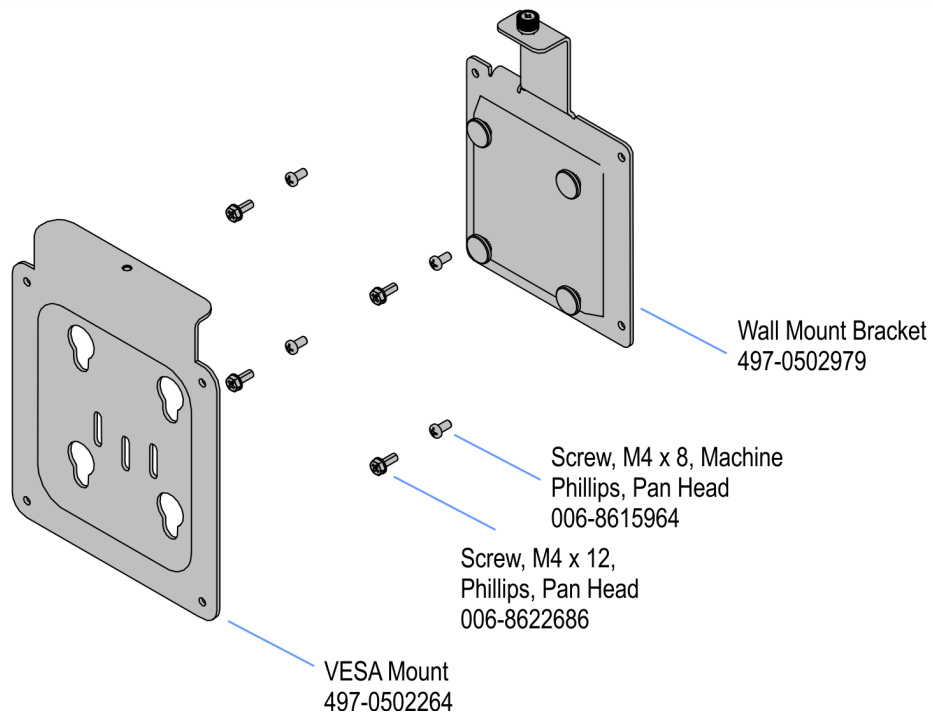
Issue	Date	Remarks
A	Jun 2014	First Issue
B	Feb 2017	Added screws for XL15 Display
C	July 2017	Added XL10 Display
D	June 2018	Added X-Series Displays (5968/5985)

Wall Mount

This kit provides components to secure any of the following to a vertical surface:

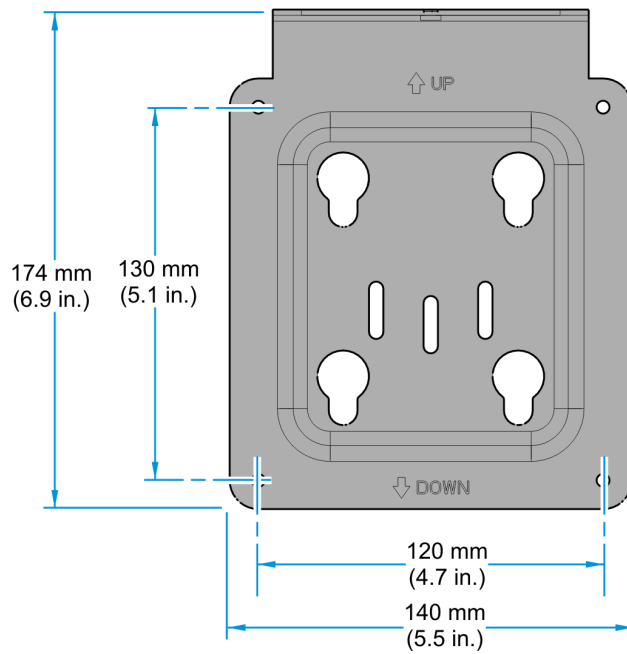
- RealPOS XR5 POS (7701)
- RealPOS XR7 POS (7702)
- RealPOS XR7 Plus POS (7703)
- X-Series Displays (5968/5985)
- XL10 Display (5910)
- XL15 Display (5915)

Kit Contents



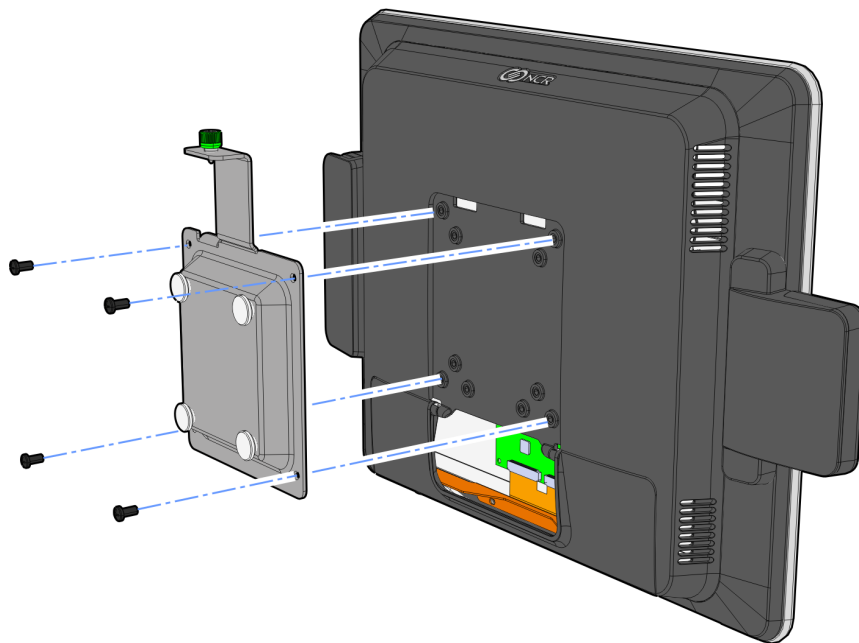
Installation Procedures

1. Secure the VESA Mount (with UP arrow pointing up) to the vertical surface using lag screws (4). Make sure you install the screws into the studs or that you use hardware of similar strength. Use the bracket as a template to mark the location of the holes or use the dimensions shown below.



2. Install the Wall Mount Bracket (with the thumb screw facing up) onto the back of the terminal with the supplied screws (4). Use the appropriate screws for the terminal.

Terminal	Screw
RealPOS XR5 (7701) RealPOS XR7 (7702) Real POS XR7 Plus POS (7703) X-Series Displays (5968/5985)	006-8615964 M4 x 8, Machine, Phillips, Pan Head
XL10 Display (5910) XL15 Display (5915)	006-8622686 M4 x 12, Machine, Phillips, Pan Head



3. Hang the terminal on the VESA Mount.
 - a. Insert the mushroom studs on the Wall Mount into the elongated slots on the VESA Mount.
 - b. Slide the terminal down to lock the brackets together.
 - c. Secure the brackets with the thumbscrew.

