

# Kit Instructions

## VESA Mount Adapter Plate

7702-K321  
Issue B



---

The product described in this book is a licensed product of NCR Corporation.

NCR is a registered trademark of NCR Corporation. NCR RealPOS is a trademark of NCR Corporation in the United States and/or other countries. Other product names mentioned in this publication may be trademarks or registered trademarks of their respective companies and are hereby acknowledged.

The terms HDMI and HDMI High-Definition Multimedia Interface, and the HDMI Logo are trademarks or registered trademarks of HDMI Licensing LLC in the United States and other countries.

Where creation of derivative works, modifications or copies of this NCR copyrighted documentation is permitted under the terms and conditions of an agreement you have with NCR, NCR's copyright notice must be included.

It is the policy of NCR Corporation (NCR) to improve products as new technology, components, software, and firmware become available. NCR, therefore, reserves the right to change specifications without prior notice.

All features, functions, and operations described herein may not be marketed by NCR in all parts of the world. In some instances, photographs are of equipment prototypes. Therefore, before using this document, consult with your NCR representative or NCR office for information that is applicable and current.

To maintain the quality of our publications, we need your comments on the accuracy, clarity, organization, and value of this book. Please use the link below to send your comments.

*Email:* [FD230036@ncr.com](mailto:FD230036@ncr.com)

Copyright © 2016-2017  
By NCR Corporation  
Duluth, GA U.S.A.  
All Rights Reserved

## Revision Record

Issue	Date	Remarks
A	Mar 2016	First Issue
B	June 2017	Added instructions for 5968/5985 RealPOS X-Series Displays

---

# VESA Mount Adapter Plate

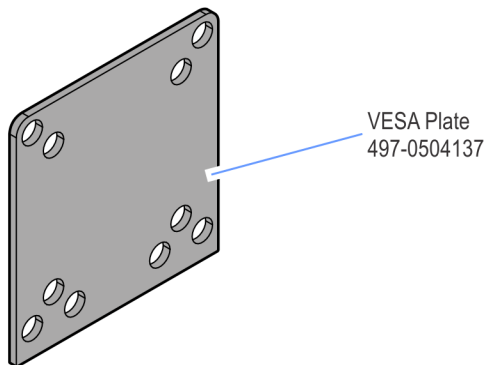
---

This kit provides an adapter plate for installing the following displays on an external VESA mount system that has a larger mounting plate than the inset in the Back Cabinet of the terminal:

- RealPOS XR5 (7701) POS
- RealPOS XR7 (7702) POS
- RealPOS XR7 Plus (7703) POS
- 5968 RealPOS X-Series Display
- 5985 RealPOS X-Series Display

This adapter plate provides a flush fit for the mount system.

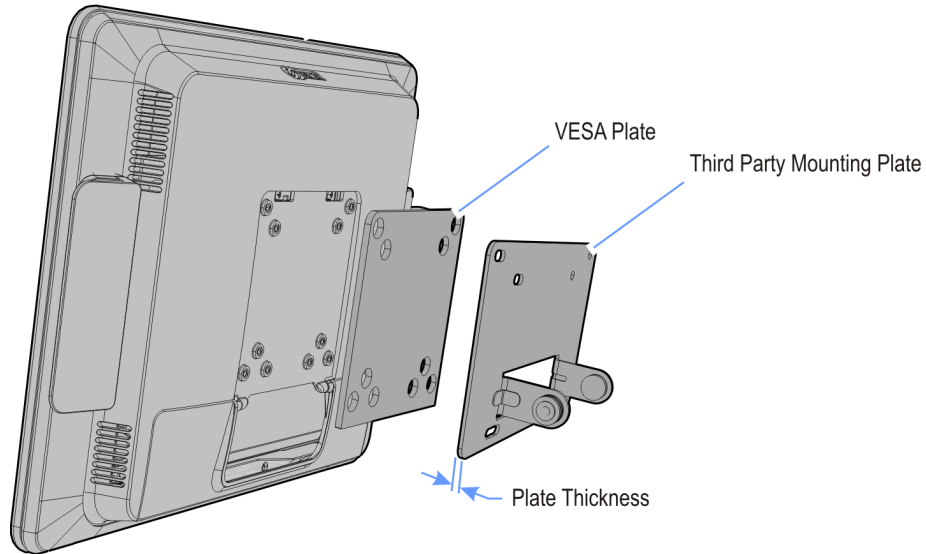
## Kit Contents



# Installation Procedure

## RealPOS XR5/XR7/XR7 Plus POS

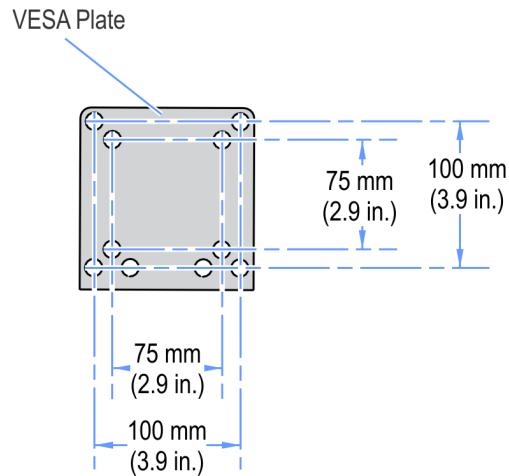
Mount the VESA Plate and the Third Party Mounting Plate on the back of the display. The required screw length depends on the thickness of the Third Party Mounting Plate.



33375



**Note:** For RealPOS XR5/XR7/XR7 Plus POS, use the 75 mm or 100 mm pattern on the VESA Plate.



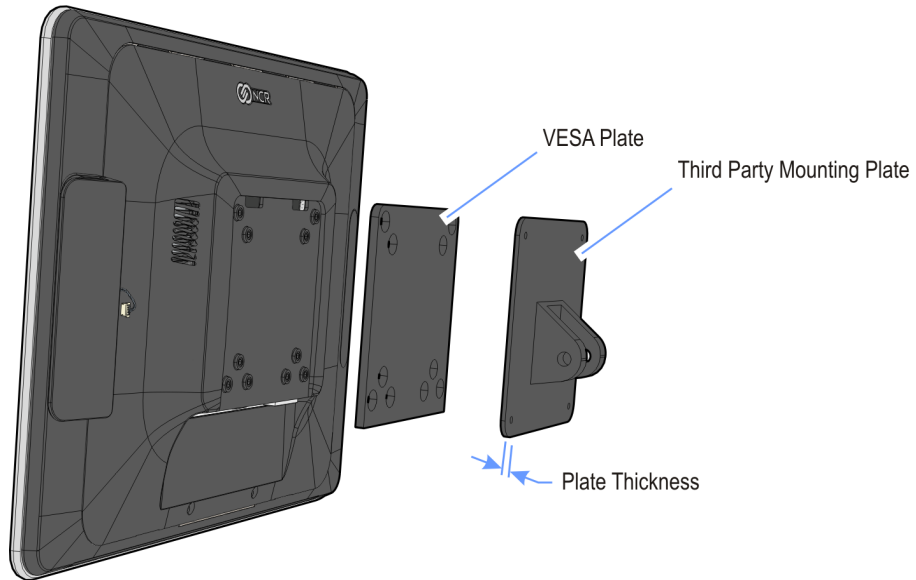
CCP-70785

Use the below table to determine the proper screw to use.

Mounting Plate Thickness	Screw Size	Screw Description
0.5mm – 2mm	M4 x 10	Steel Pan Head with SEMS Washer
2mm – 4mm	M4 x 12	Steel Pan Head with SEMS Washer
4mm – 6mm	M4 x 14	Steel Pan Head with SEMS Washer
6mm – 8mm	M4 x 16	Steel Pan Head with SEMS Washer
8mm – 10mm	M4 x 18	Steel Pan Head with SEMS Washer
10mm – 12mm	M4 x 20	Steel Pan Head with SEMS Washer

# 5968/5985 RealPOS X-Series Display

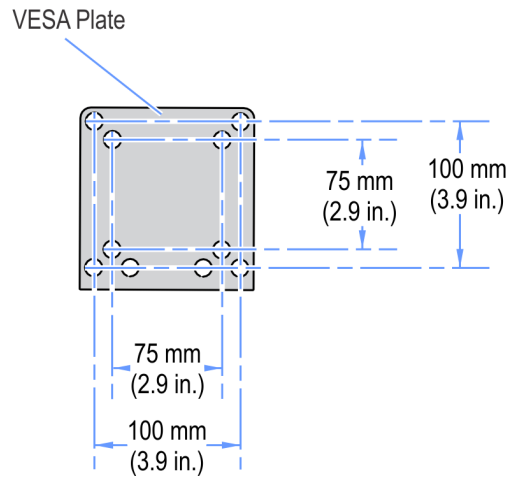
Mount the VESA Plate and the Third Party Mounting Plate on the back of the display. The required screw length depends on the thickness of the Third Party Mounting Plate.



33810



**Note:** For 15" 5968/5985 RealPOS X-Series Displays, use the 75 mm or 100 mm pattern on the VESA Plate. For 10.4" 5968/5985 RealPOS X-Series Displays, use the 75 mm pattern.



CCP-70785

Use the below table to determine the proper screw to use.

Mounting Plate Thickness	Screw Size	Screw Description
0.5mm – 2mm	M4 x 14	Steel Pan Head with SEMS Washer
2mm – 4mm	M4 x 16	Steel Pan Head with SEMS Washer
4mm – 6mm	M4 x 18	Steel Pan Head with SEMS Washer
6mm – 8mm	M4 x 20	Steel Pan Head with SEMS Washer
8mm – 10mm	M4 x 22	Steel Pan Head with SEMS Washer
10mm – 12mm	M4 x 24	Steel Pan Head with SEMS Washer

