

# KIT INSTRUCTIONS

## I/O Panel Security Bracket

7702-K327  
Issue A



---

The product described in this book is a licensed product of NCR Corporation.

NCR is a registered trademark of NCR Corporation. NCR RealPOS is a trademark of NCR Corporation in the United States and/or other countries. Other product names mentioned in this publication may be trademarks or registered trademarks of their respective companies and are hereby acknowledged.

The terms HDMI and HDMI High-Definition Multimedia Interface, and the HDMI Logo are trademarks or registered trademarks of HDMI Licensing LLC in the United States and other countries.

Where creation of derivative works, modifications or copies of this NCR copyrighted documentation is permitted under the terms and conditions of an agreement you have with NCR, NCR's copyright notice must be included.

It is the policy of NCR Corporation (NCR) to improve products as new technology, components, software, and firmware become available. NCR, therefore, reserves the right to change specifications without prior notice.

All features, functions, and operations described herein may not be marketed by NCR in all parts of the world. In some instances, photographs are of equipment prototypes. Therefore, before using this document, consult with your NCR representative or NCR office for information that is applicable and current.

To maintain the quality of our publications, we need your comments on the accuracy, clarity, organization, and value of this book.

Address correspondence to:

Manager, Information Solutions Group  
NCR Corporation  
Discovery Centre, 3 Fulton Road  
Dundee, DD2 4SW  
Scotland

Internet Address:

<http://www.info.ncr.com/Feedback>

Copyright © 2015  
By NCR Corporation  
Duluth, GA U.S.A.  
All Rights Reserved

## Revision Record

Issue	Date	Remarks
A	Aug 2015	First Issue

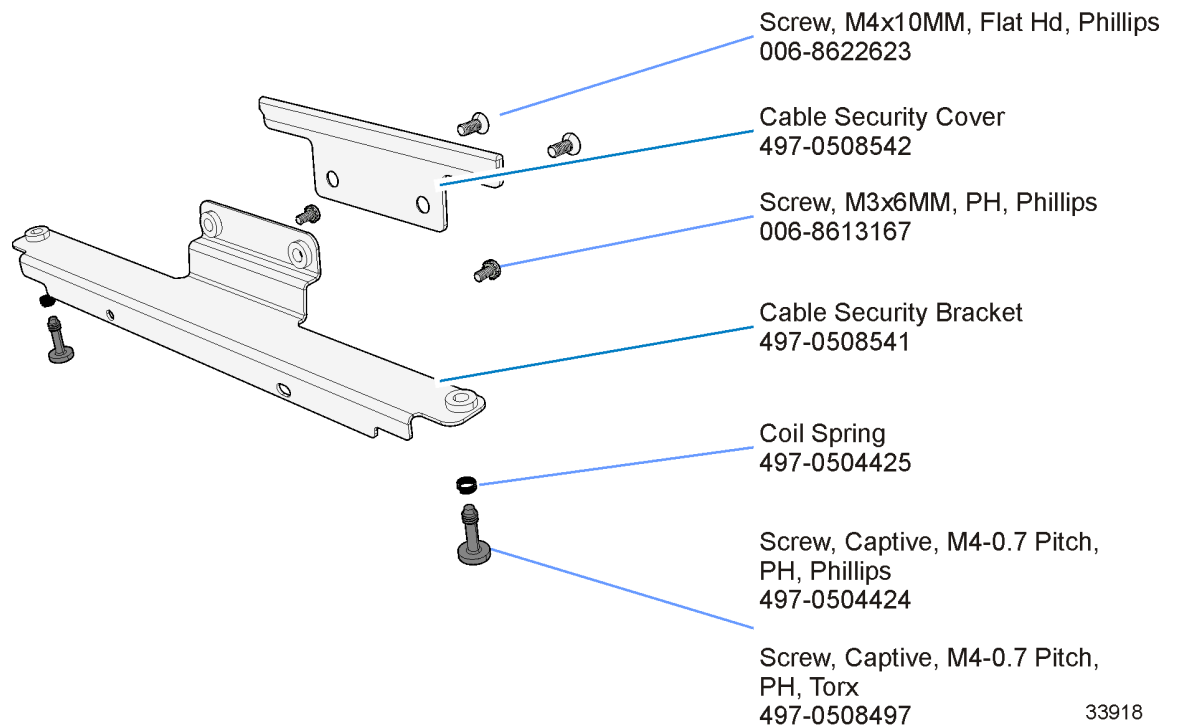
---

# I/O Panel Security Bracket

---

This kit contains the components to make access to the RealPOS XR7 POS I/O Panel more secure.

## Components



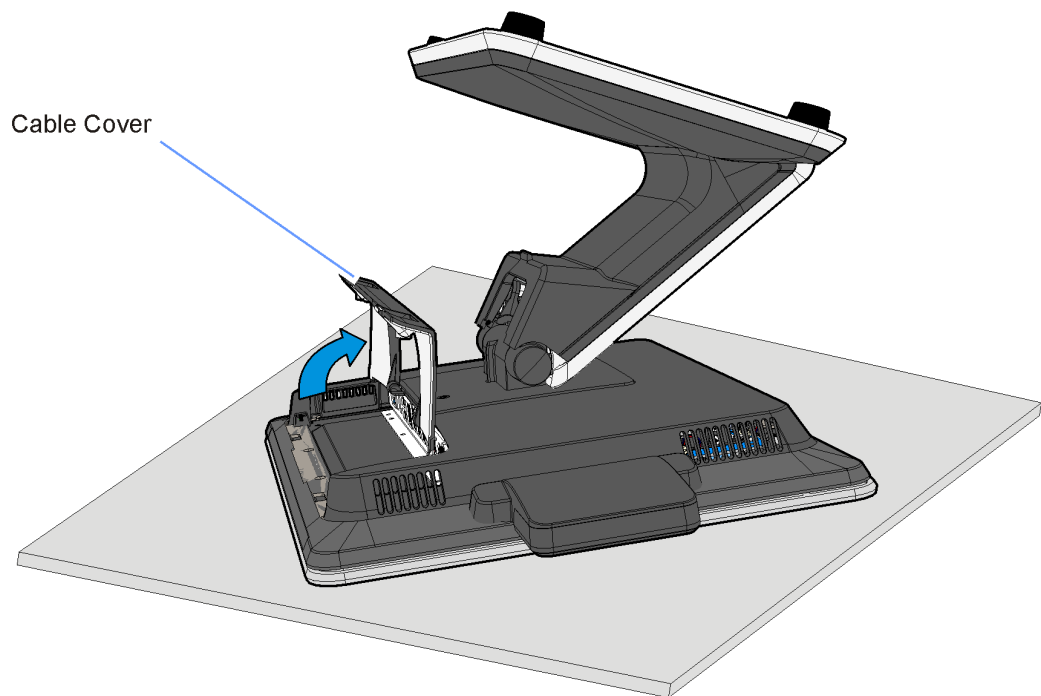
## Installation Procedures

1. Lay the terminal face down on a flat surface.



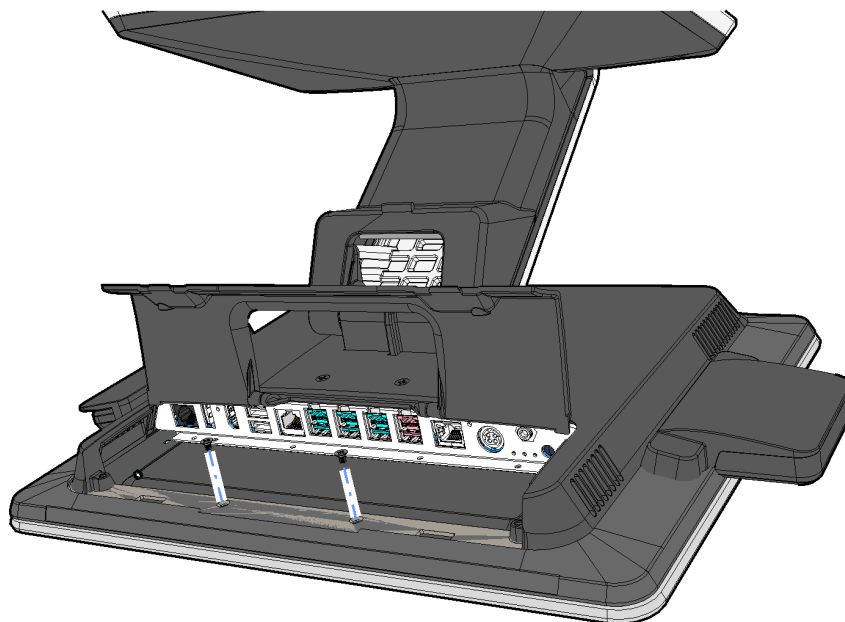
**Caution:** Always use a soft material (cloth, foam) to protect the display screen when placing the terminal face down.

2. Open the Cable Cover.



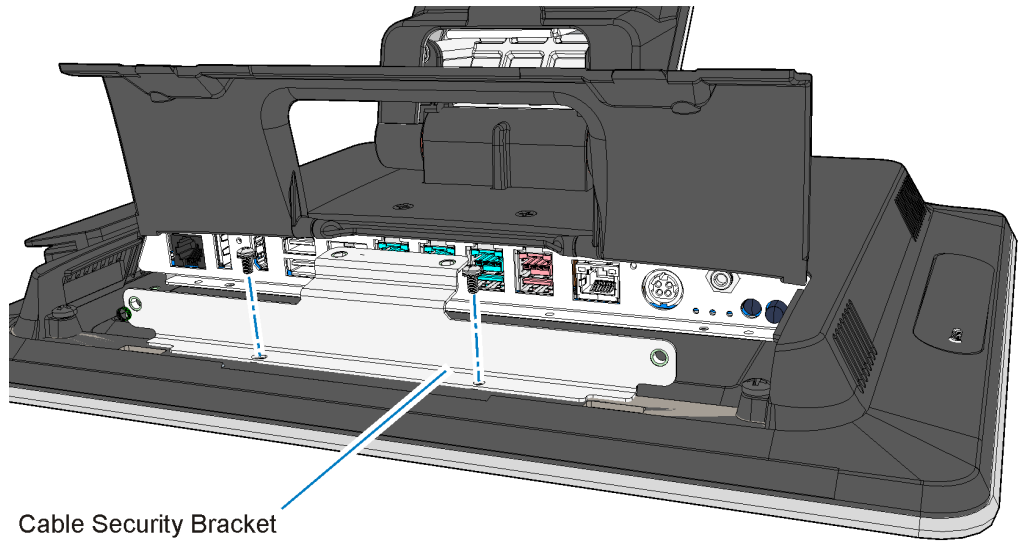
33660

3. Remove two of the flat-head screws from the Display Cabinet as shown.



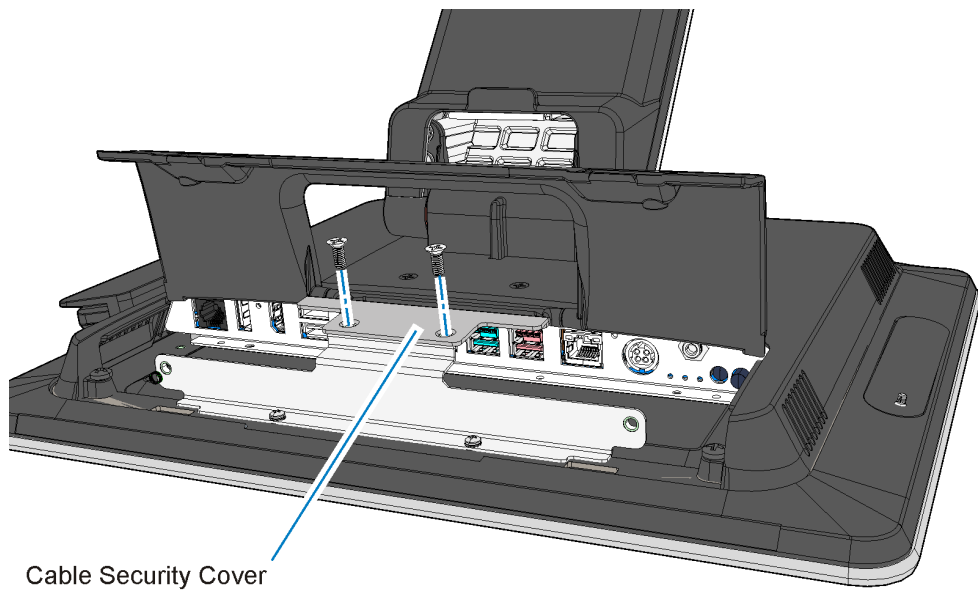
33661

4. Install the Cable Security Bracket on the Display Cabinet using the M3x6 pan head screws (2) supplied in the kit.



33916

5. Install the Cable Security Cover onto the Cable Security Bracket (2 flat-head screws).

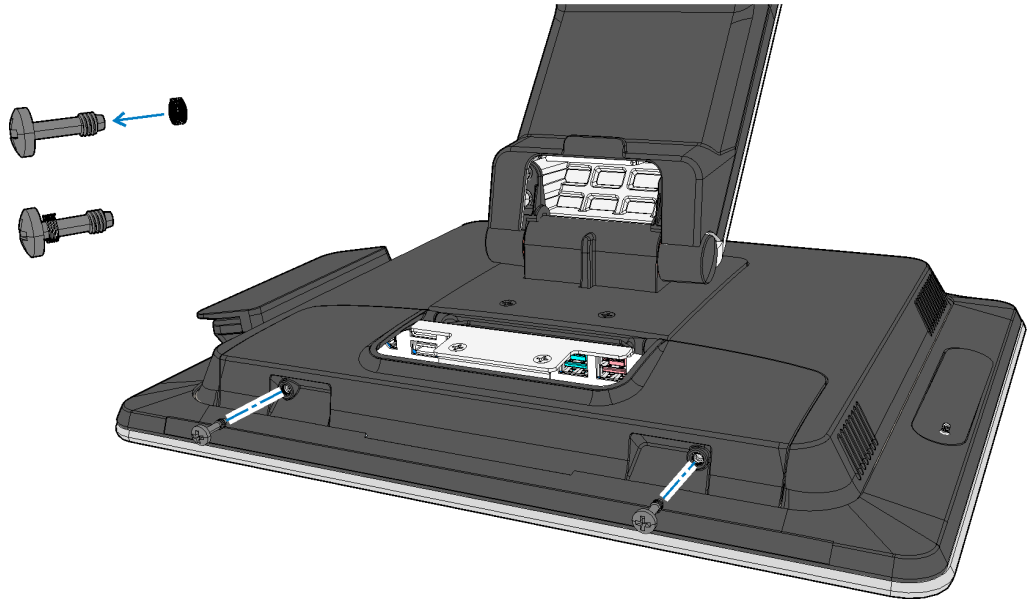


33915

- Slide the Coil Springs (2) onto the shafts of the Captive Screws (2) and then screw the Captive Screws into the Cable Cover.

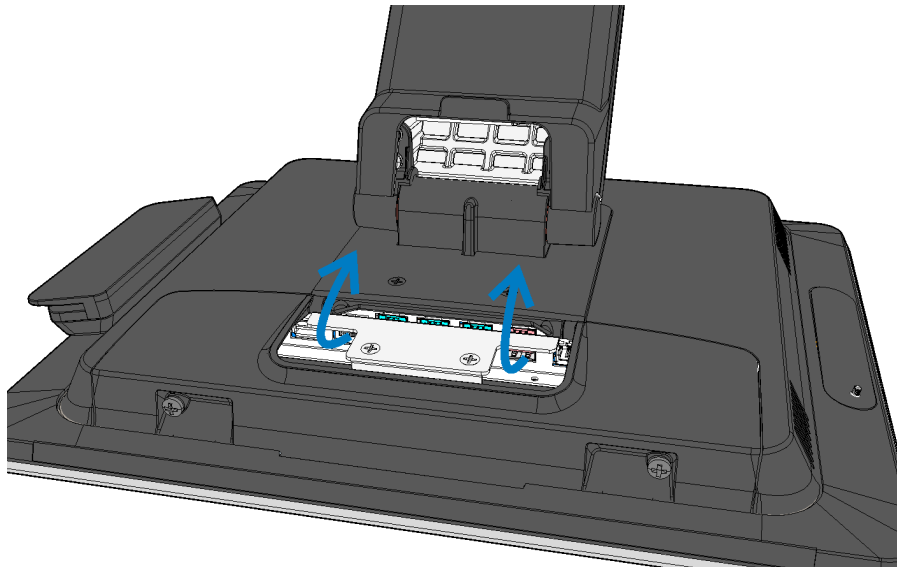


**Note:** There are two sets of Captive Screws to choose from; one pair with regular Phillips heads or a pair with Torx heads, which provide additional security.



33914

Cables are routed around the Cable Security Cover and out the Cable Cover opening.



33917