

# KIT INSTRUCTIONS

## 2x20 Customer Display on an Extension Stand



7702-K451  
Issue A



---

The product described in this book is a licensed product of NCR Corporation.

NCR is a registered trademark of NCR Corporation. NCR RealPOS is a trademark of NCR Corporation in the United States and/or other countries. Other product names mentioned in this publication may be trademarks or registered trademarks of their respective companies and are hereby acknowledged.

The terms HDMI and HDMI High-Definition Multimedia Interface, and the HDMI Logo are trademarks or registered trademarks of HDMI Licensing LLC in the United States and other countries.

Where creation of derivative works, modifications or copies of this NCR copyrighted documentation is permitted under the terms and conditions of an agreement you have with NCR, NCR's copyright notice must be included.

It is the policy of NCR Corporation (NCR) to improve products as new technology, components, software, and firmware become available. NCR, therefore, reserves the right to change specifications without prior notice.

All features, functions, and operations described herein may not be marketed by NCR in all parts of the world. In some instances, photographs are of equipment prototypes. Therefore, before using this document, consult with your NCR representative or NCR office for information that is applicable and current.

To maintain the quality of our publications, we need your comments on the accuracy, clarity, organization, and value of this book.

Address correspondence to:

Manager, Information Solutions Group  
NCR Corporation  
Discovery Centre, 3 Fulton Road  
Dundee, DD2 4SW  
Scotland

Internet Address:

<http://www.info.ncr.com/Feedback>

Copyright © 2014

By NCR Corporation

Duluth, GA U.S.A.

All Rights Reserved

## Revision Record

Issue	Date	Remarks
A	Jun 2014	First Issue

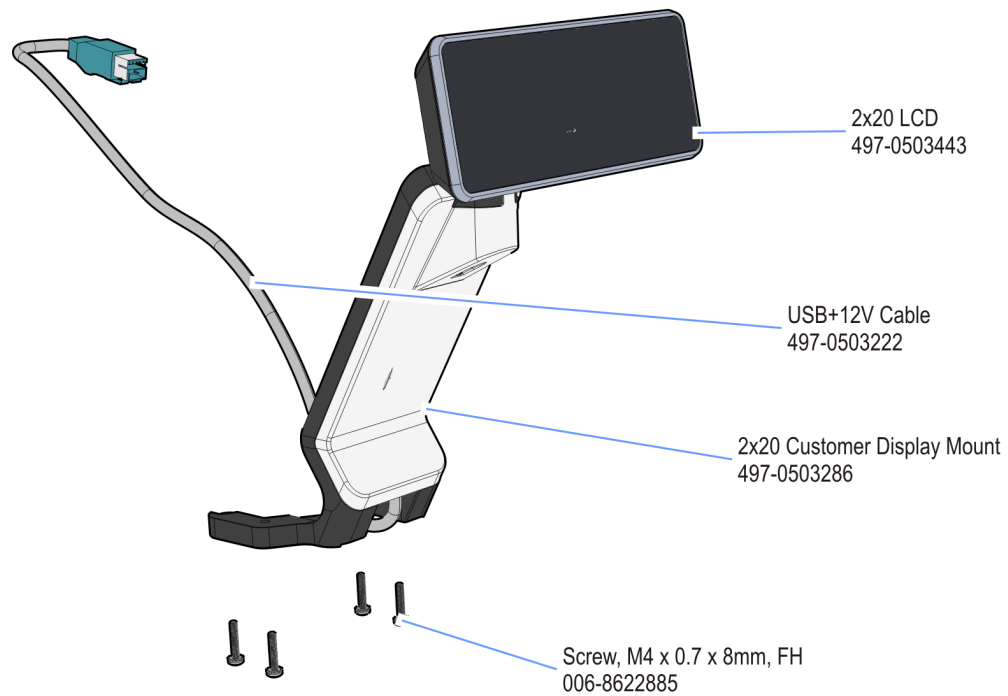
---

# 2x20 Customer Display on an Extension Stand

---

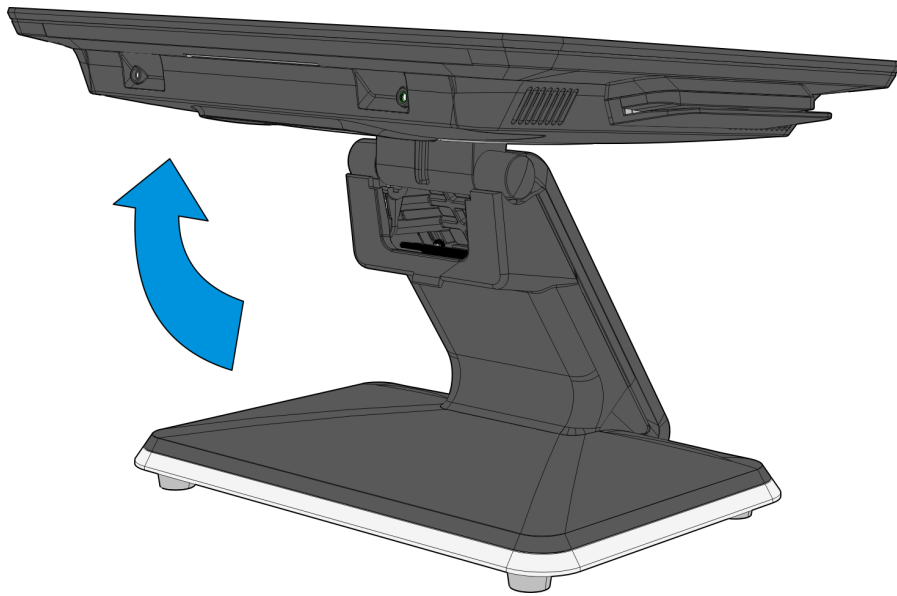
This kit contains the components to add an integrated 2x20 customer display on the RealPOS XR7 POS. The display is mounted on an Extension Stand connected to the back of the POS Stand.

## Components



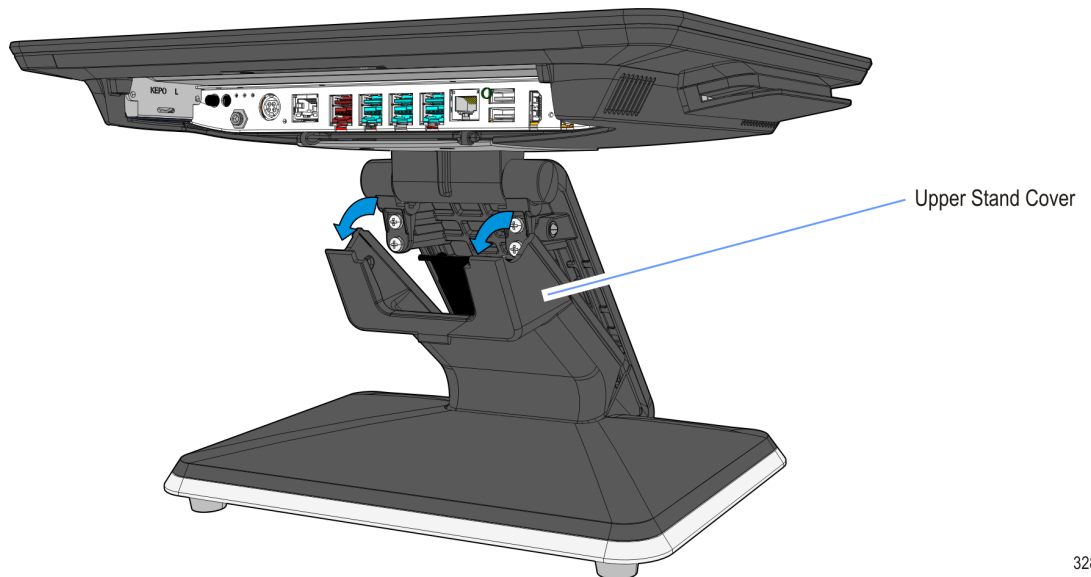
## Installation Procedures

1. Pivot the display back.



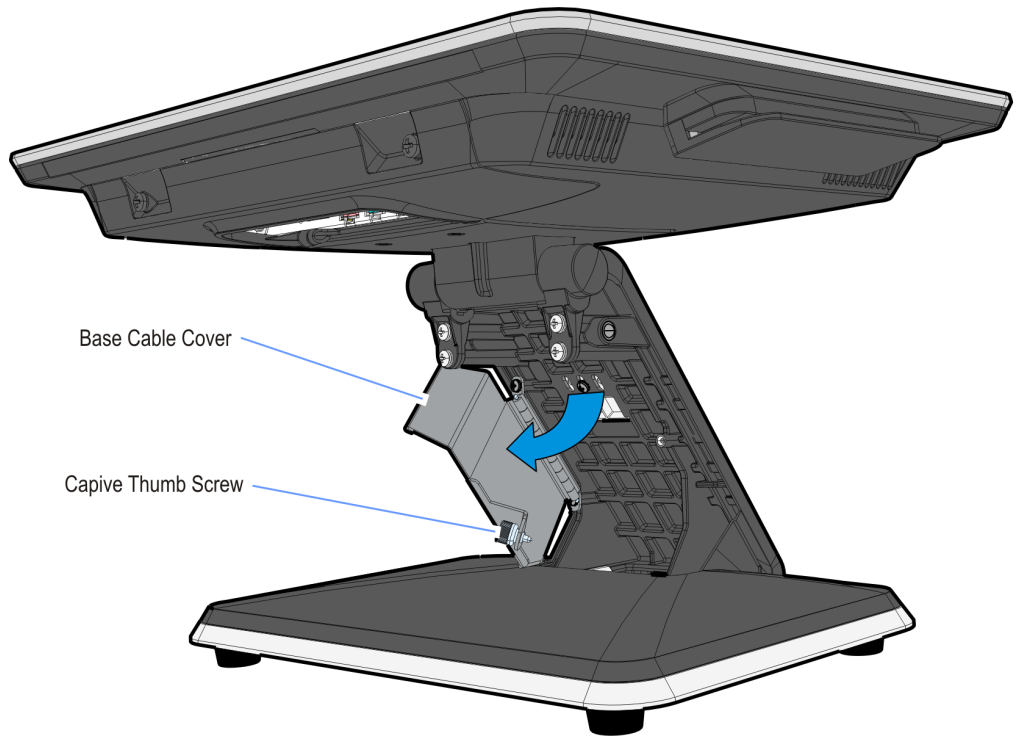
32810

2. Remove the Upper Stand Cover by pivoting it away from the stand. The cover has a simple snap fit connection at the top.



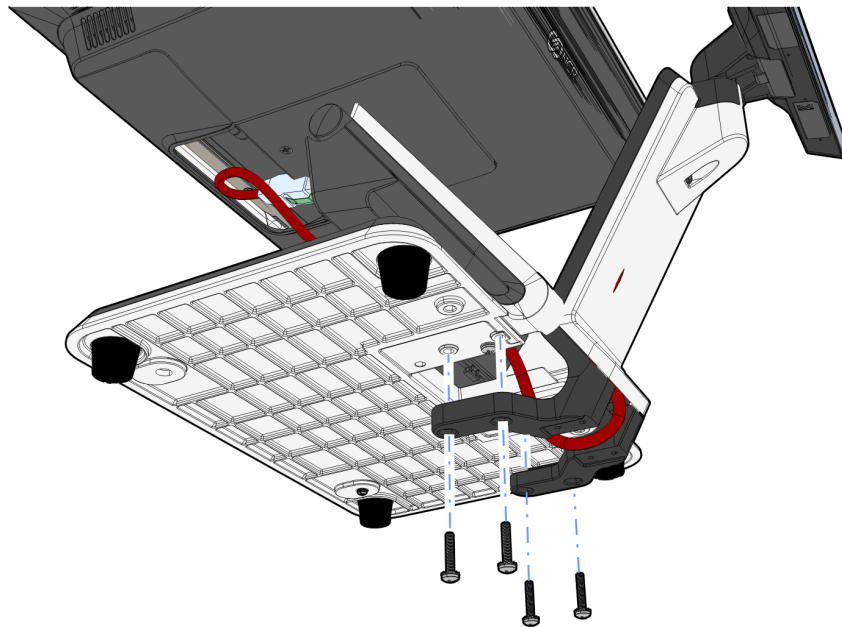
32812

3. Open the Base Cable Cover (captive thumb screw).



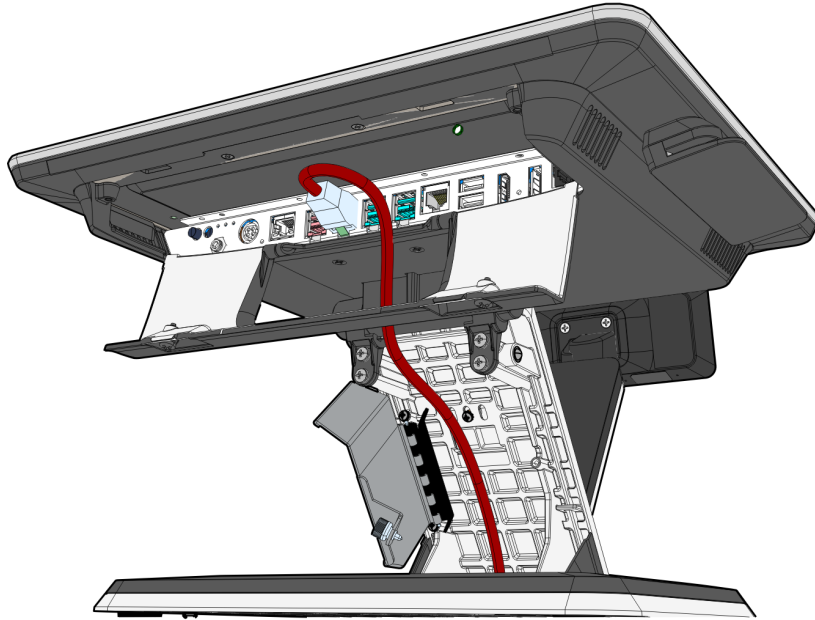
33333

4. Route the USB Cable UP through the stand and install the 2x20 Assembly onto the bottom of the stand (4 screws).



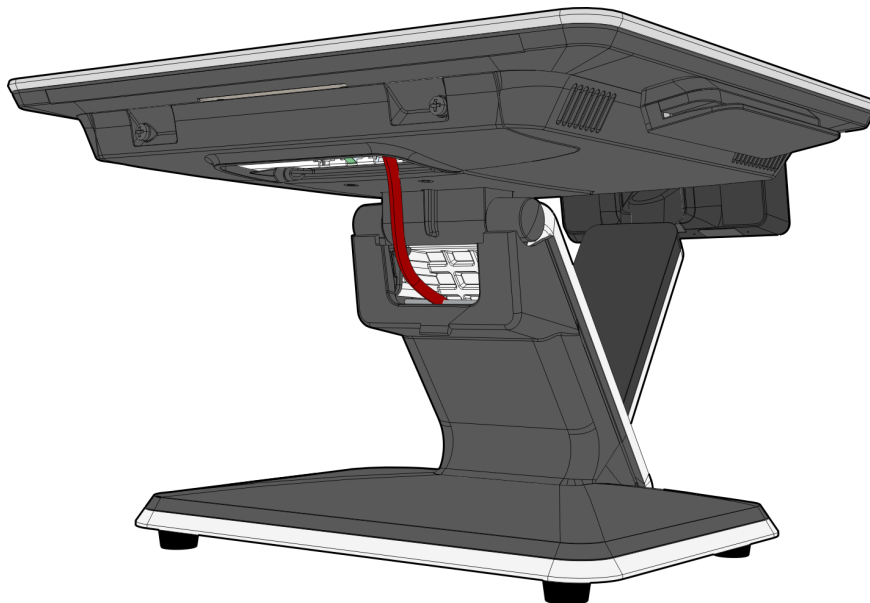
33558

5. Route the cable up through the POS Stand and connect it to one of the USB+12V connectors. Close and secure the Base Cable Cover.



33559

6. Re-install the Upper Stand Cover.
7. Close and secure the Cable Cover.



33560