

KIT INSTRUCTIONS

10-Inch LCD Customer Display Integrated on Stand



7702-K452
Issue A



The product described in this book is a licensed product of NCR Corporation.

NCR is a registered trademark of NCR Corporation. NCR RealPOS is a trademark of NCR Corporation in the United States and/or other countries. Other product names mentioned in this publication may be trademarks or registered trademarks of their respective companies and are hereby acknowledged.

The terms HDMI and HDMI High-Definition Multimedia Interface, and the HDMI Logo are trademarks or registered trademarks of HDMI Licensing LLC in the United States and other countries.

Where creation of derivative works, modifications or copies of this NCR copyrighted documentation is permitted under the terms and conditions of an agreement you have with NCR, NCR's copyright notice must be included.

It is the policy of NCR Corporation (NCR) to improve products as new technology, components, software, and firmware become available. NCR, therefore, reserves the right to change specifications without prior notice.

All features, functions, and operations described herein may not be marketed by NCR in all parts of the world. In some instances, photographs are of equipment prototypes. Therefore, before using this document, consult with your NCR representative or NCR office for information that is applicable and current.

To maintain the quality of our publications, we need your comments on the accuracy, clarity, organization, and value of this book.

Address correspondence to:

Manager, Information Solutions Group
NCR Corporation
Discovery Centre, 3 Fulton Road
Dundee, DD2 4SW
Scotland

Internet Address:

<http://www.info.ncr.com/Feedback>

Copyright © 2014

By NCR Corporation

Duluth, GA U.S.A.

All Rights Reserved

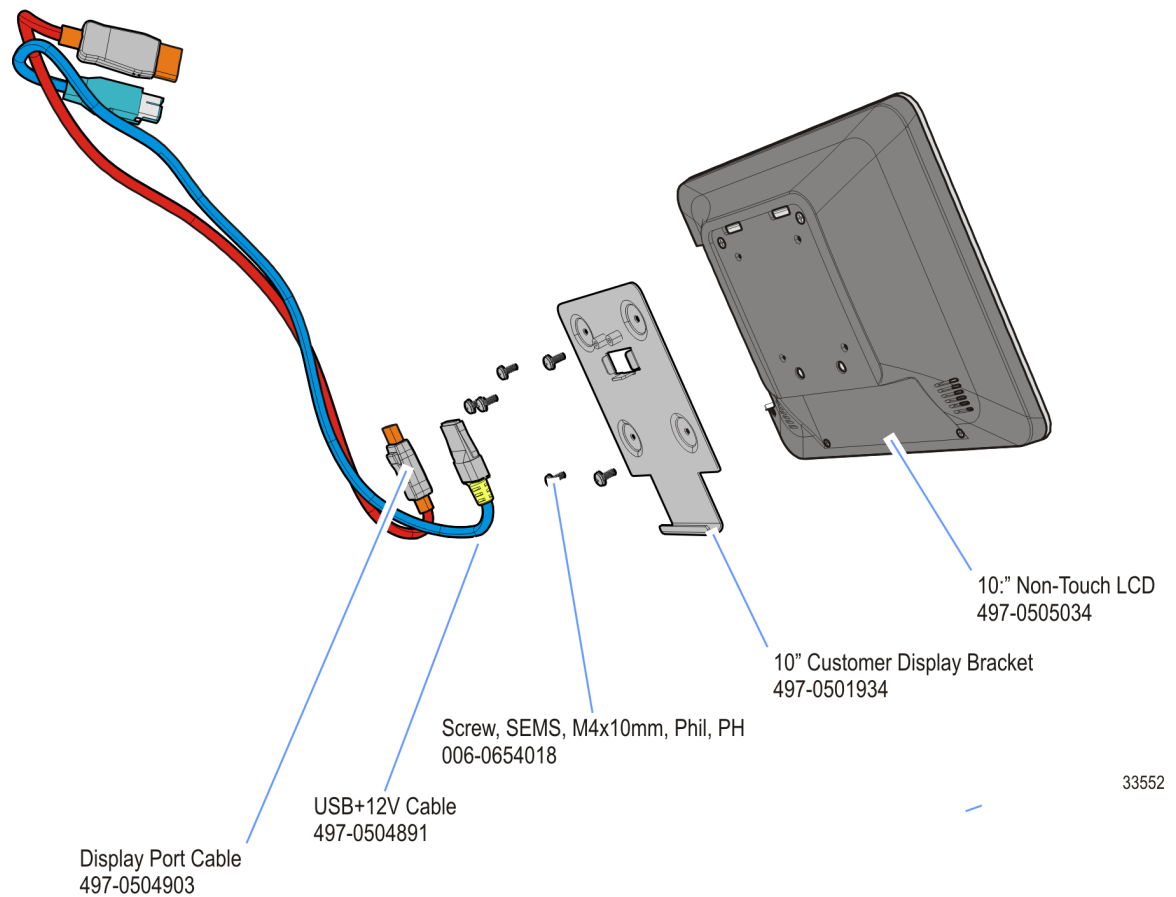
Revision Record

Issue	Date	Remarks
A	Sep 2014	First Issue

10-Inch LCD Customer Display Integrated on Stand

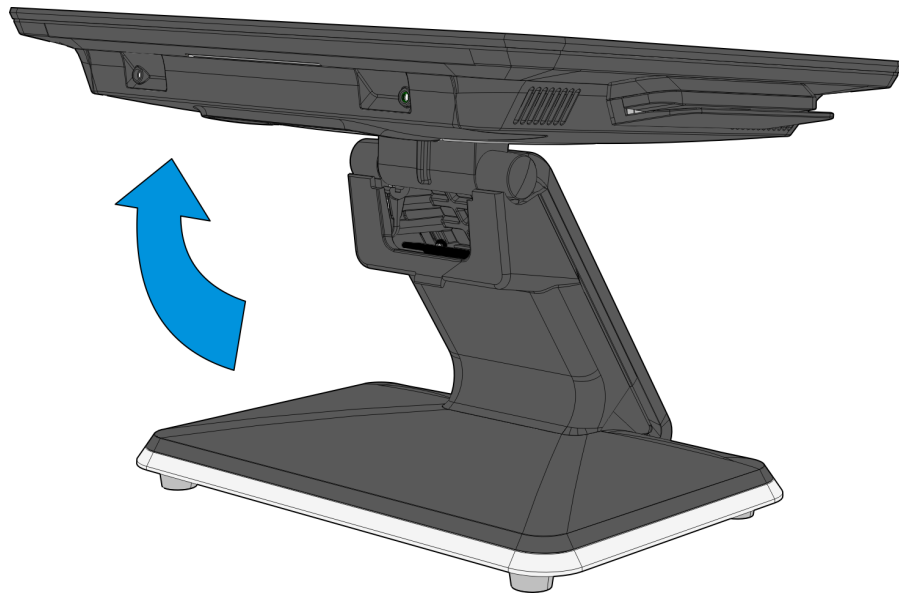
This kit contains components to add an integrated 10-inch LCD customer display on the RealPOS XR7 POS. The display is mounted on the back of the POS Stand.

Components



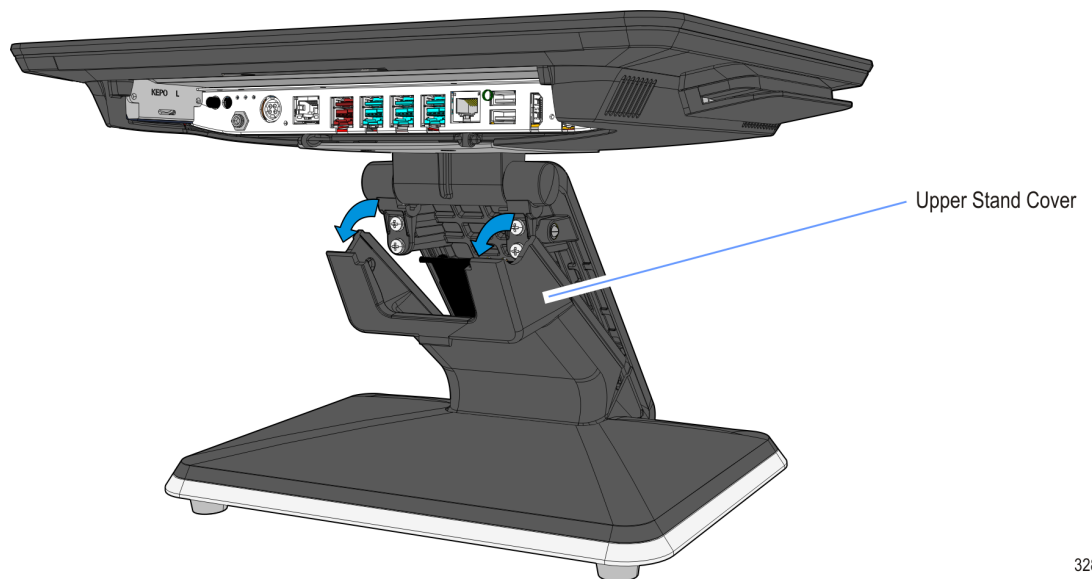
Installation Procedures

1. Pivot the terminal back.



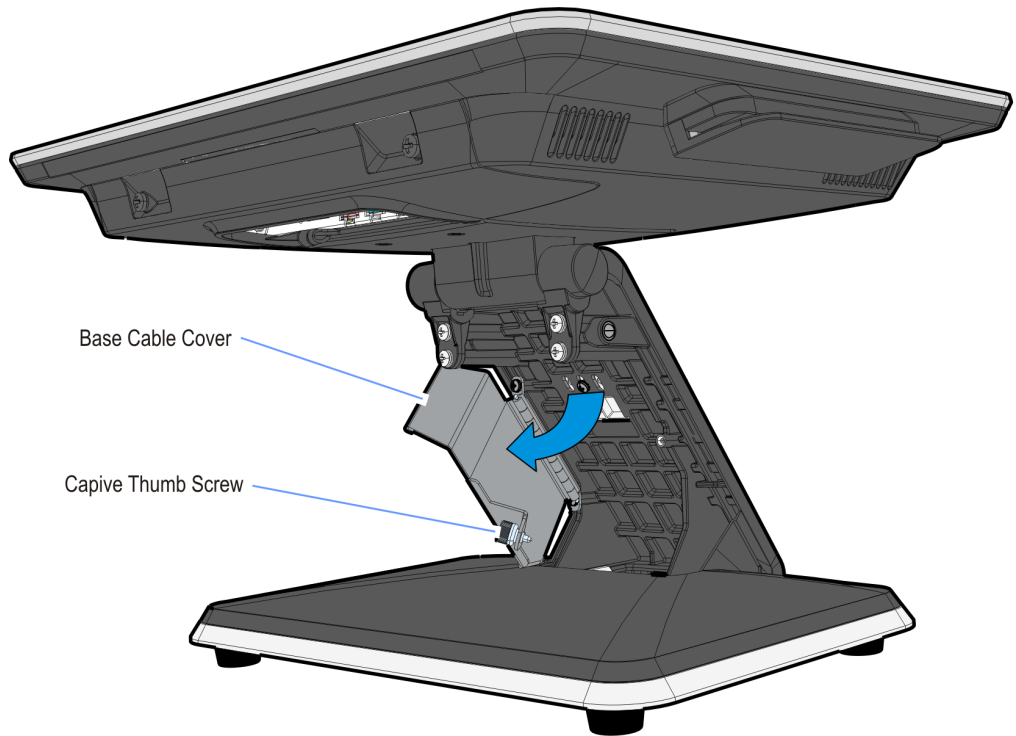
32810

2. Remove the Upper Stand Cover by pivoting it away from the stand. The cover has a simple snap fit connection at the top.



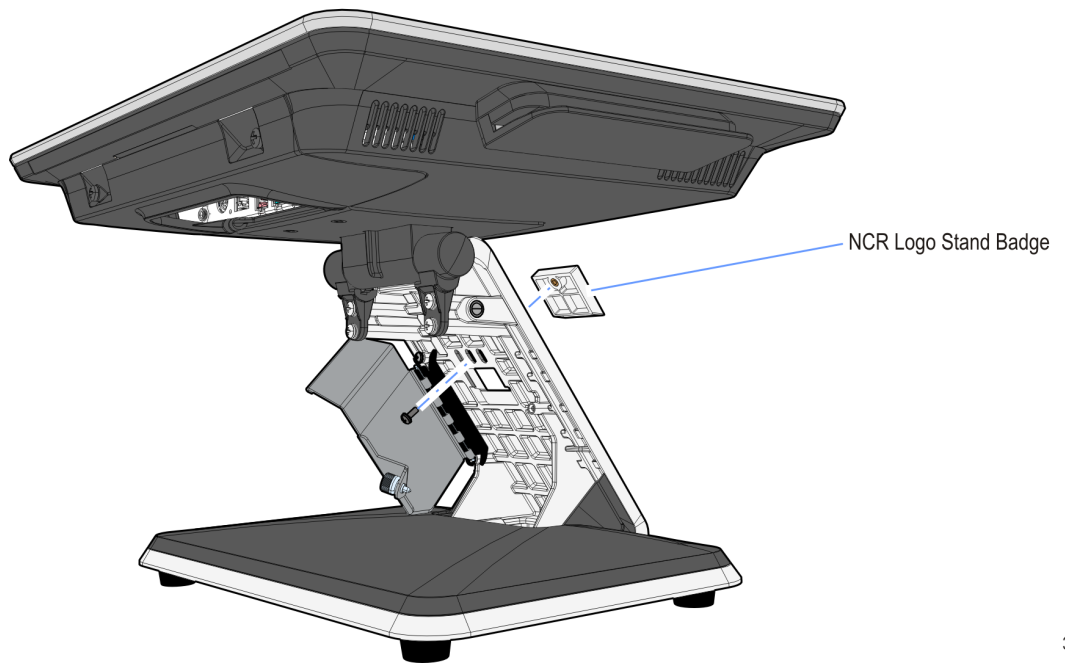
32812

3. Open the Base Cable Cover (captive thumb screw).



33333

4. Remove the NCR Logo Stand Badge(screw).

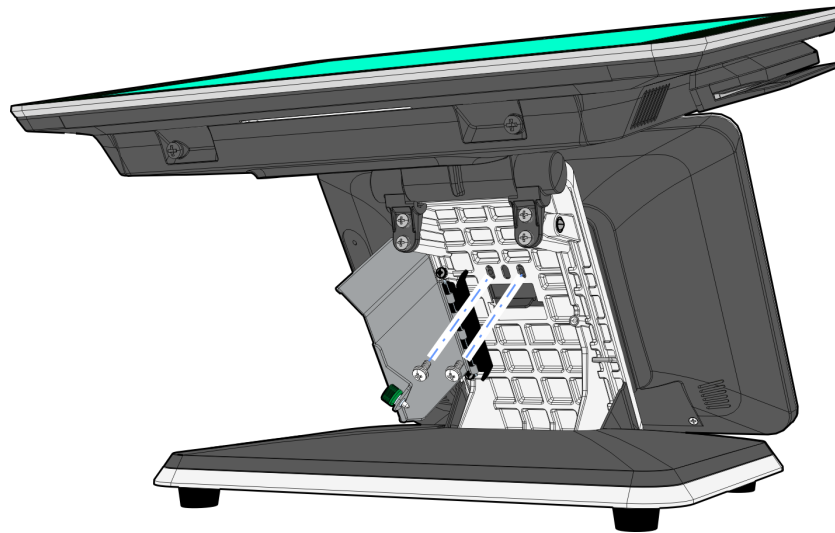


33334

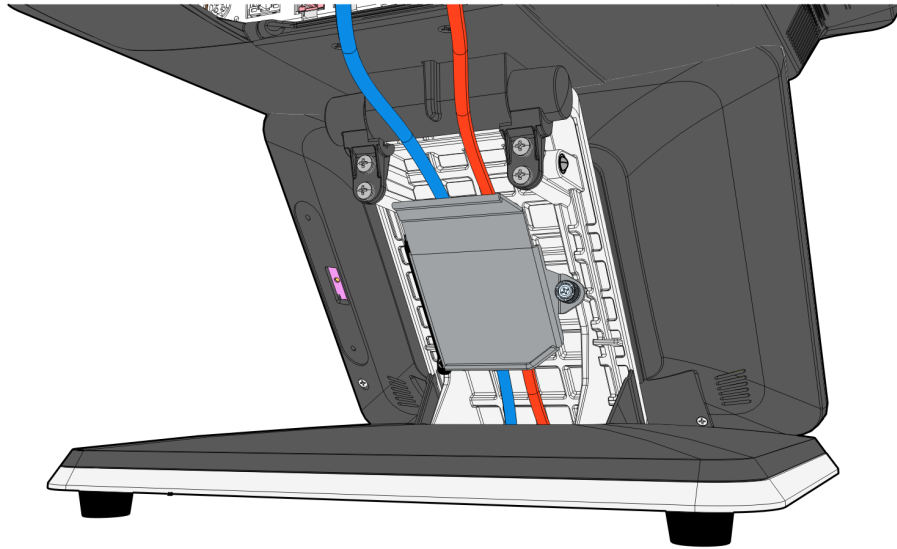
5. Install the LCD and Bracket Assembly onto the back of the POS Stand.
 - a. Hook the bottom of the LCD Bracket under the POS Stand.



- b. Pivot the assembly into position on the POS Stand and secure it from inside the stand with screws (2).

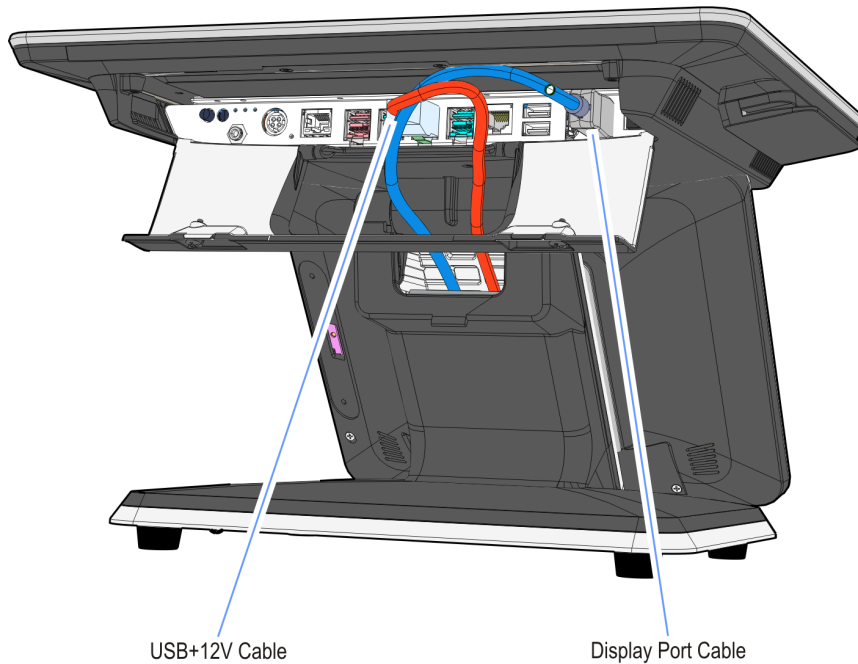


6. Connect the USB+12V Cable and Display Port Cable to the display.
7. Route the cables up through the POS Stand. Close and secure the Cable Cover with the thumbscrew.



33556

8. Connect the USB Cable to a +12V USB connector on the terminal.
9. Connect the Display Port Cable to the Display Port Connector.



USB+12V Cable

Display Port Cable

33553

10. Close and secure the Cable Cover.
11. Re-install the Upper Stand Cover.

