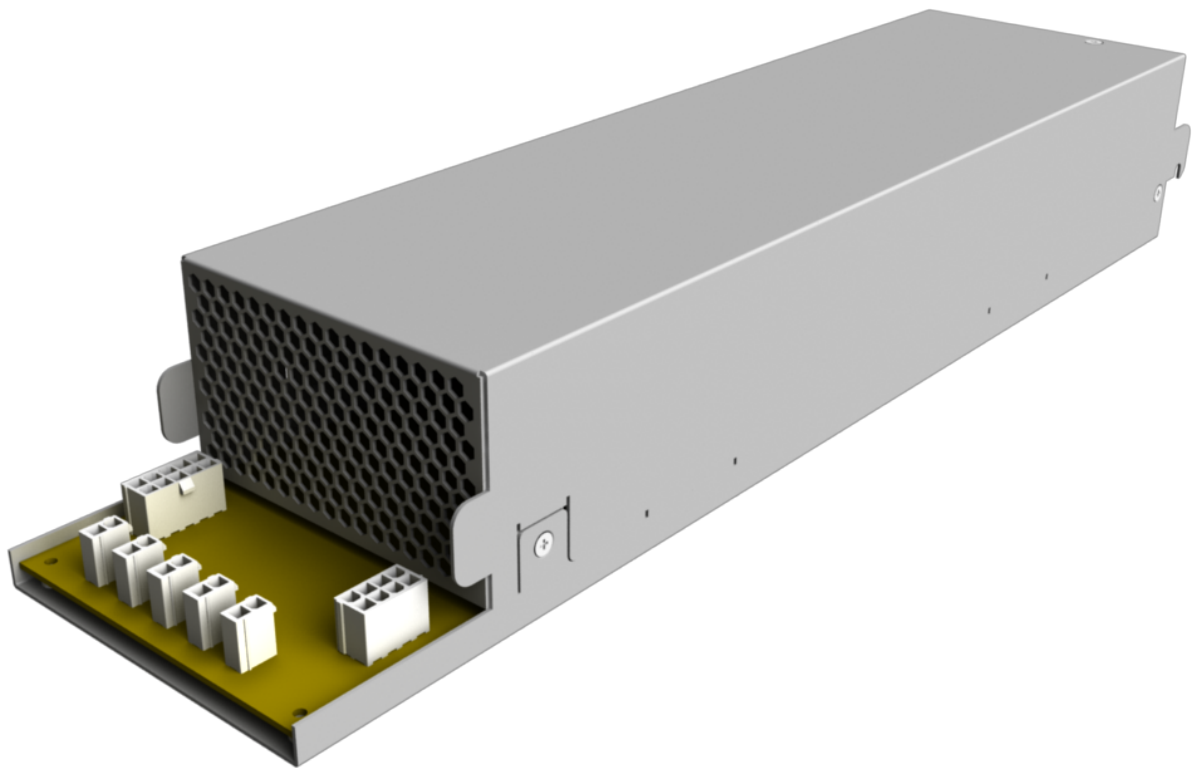


# Kit Instructions

24V 600W Power Supply Upgrade



7705-K041  
Issue A



---

The product described in this book is a licensed product of NCR Corporation.

NCR is a registered trademark of NCR Corporation. NCR SelfServ™ is a trademark of NCR Corporation in the United States and/or other countries. Other product names mentioned in this publication may be trademarks or registered trademarks of their respective companies and are hereby acknowledged.

The terms HDMI and HDMI High-Definition Multimedia Interface, and the HDMI Logo are trademarks or registered trademarks of HDMI Licensing LLC in the United States and other countries.

Where creation of derivative works, modifications or copies of this NCR copyrighted documentation is permitted under the terms and conditions of an agreement you have with NCR, NCR's copyright notice must be included.

It is the policy of NCR Corporation (NCR) to improve products as new technology, components, software, and firmware become available. NCR, therefore, reserves the right to change specifications without prior notice.

All features, functions, and operations described herein may not be marketed by NCR in all parts of the world. In some instances, photographs are of equipment prototypes. Therefore, before using this document, consult with your NCR representative or NCR office for information that is applicable and current.

To maintain the quality of our publications, we need your comments on the accuracy, clarity, organization, and value of this book. Please use the link below to send your comments.

*Email:* [FD230036@ncr.com](mailto:FD230036@ncr.com)

Copyright © 2018  
By NCR Corporation  
Atlanta, GA U.S.A.  
All Rights Reserved

## Revision Record

Issue	Date	Remarks
A	Sept 2018	First Issue

---

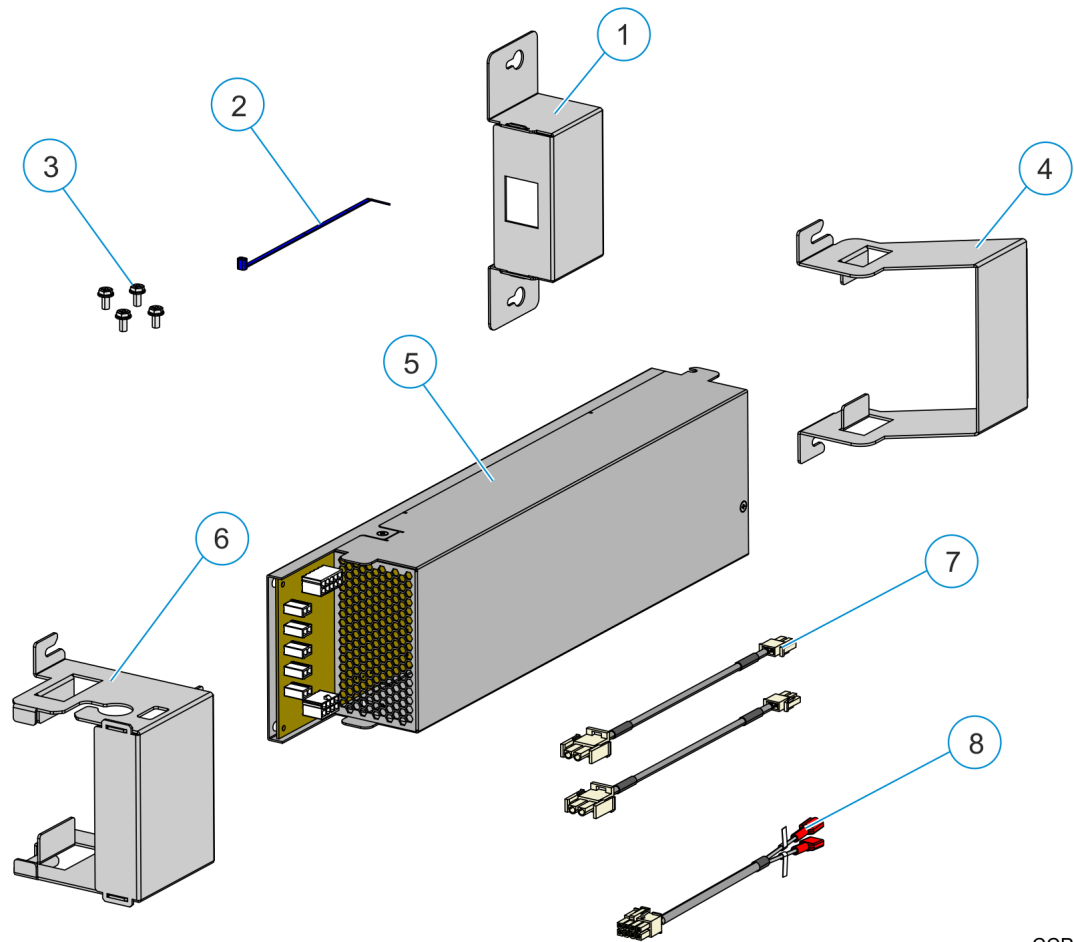
# 24V, 600W Power Supply Upgrade Kit

---

## Introduction

This kit provides the components to add a 24V 600W Power Supply Unit (PSU) to the NCR SelfServ 75 (7705) Kiosk.

## Kit Contents



CCP-75328

Power Supply Upgrade, 24V 600W (7705-K041)		
	Part Number	Description
1	497-0521717	7705 24V, 600W PSU Switch Bracket
2	006-8615143	142mmx3.6mm Cable Tie
3	009-0006583	M4 ROHS Screws (Thread Forming Screw) (4)
4	497-0520848	7705 24V, 600W Power Supply Support Bracket
5	009-0028273	+24V 600W Switch Mode Power Supply
6	497-0520109	7705 24V, 600W Power Supply Bracket
7	497-0520823	Cable - DC Distribution, Power Supply to DC Hub, 2000mm (2)
8	497-0521809	Cable - Power Supply Switch, 2000mm

# Installation Procedure



**Warning:** Disconnect the AC power cord before disassembling the Terminal.



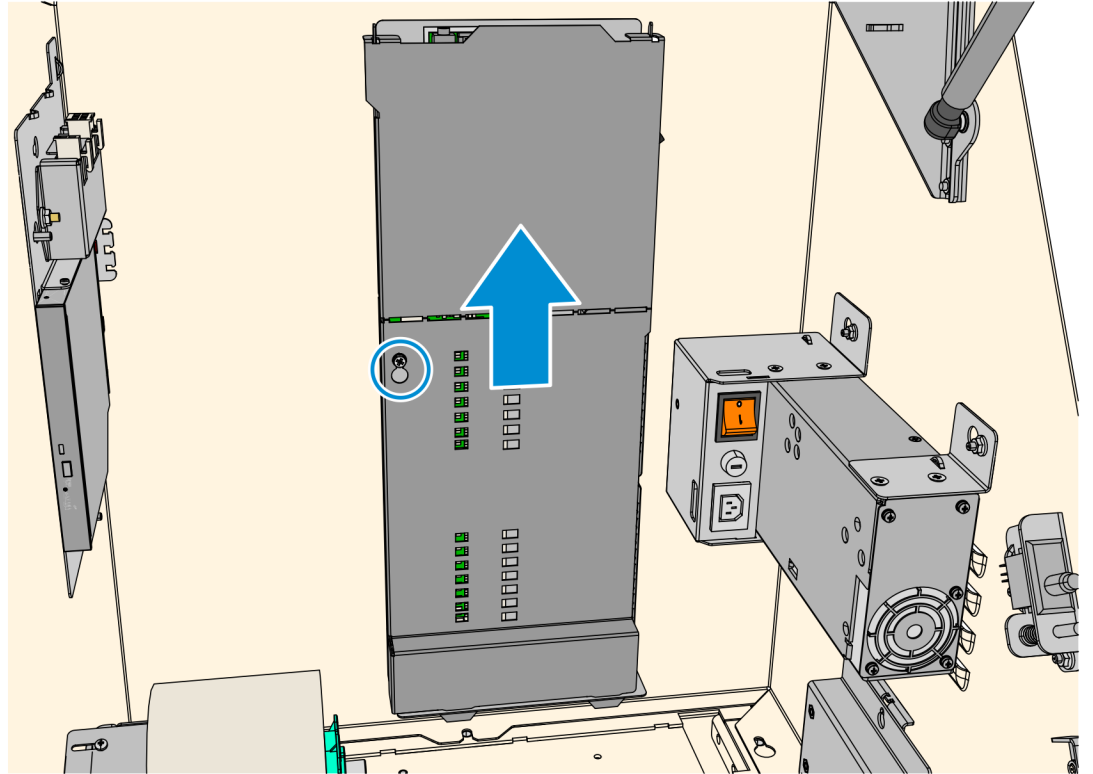
**Caution:** Static Electricity Discharge may permanently damage your system. Discharge any static electricity build up in your body by touching your computer's case for a few seconds. Avoid any contact with internal parts and handle cards only by their external edges.

To install the power supply to the kiosk, perform the following steps:

1. Unplug the terminal's power cord.
2. Remove the I/O Panel Cover, see [Removing the I/O Panel Cover](#) on the next page.
3. Remove the old 24V 300W power supply in the Kiosk Cabinet, see [Removing the 300W PSU](#) on page 5.
4. Remove the DPST switch from the old PSU, see [Removing the PSU DPST Switch](#) on page 8.
5. Install the Power Supply Switch assembly, see [Installing the PSU Switch Assembly](#) on page 11.
6. Route the PSU Cables, see [Routing PSU Cables](#) on page 13.
7. Install the new 600W Power Supply, see [Installing the 600W PSU](#) on page 16.
8. Install the I/O Panel Cover, see [Installing the I/O Panel Cover](#) on page 21

## Removing the I/O Panel Cover

1. In the Top Box, loosen the screw that secures the I/O Panel Cover.
2. Slide the cover upward to unlatch its tabs and hooks from the I/O Panel.

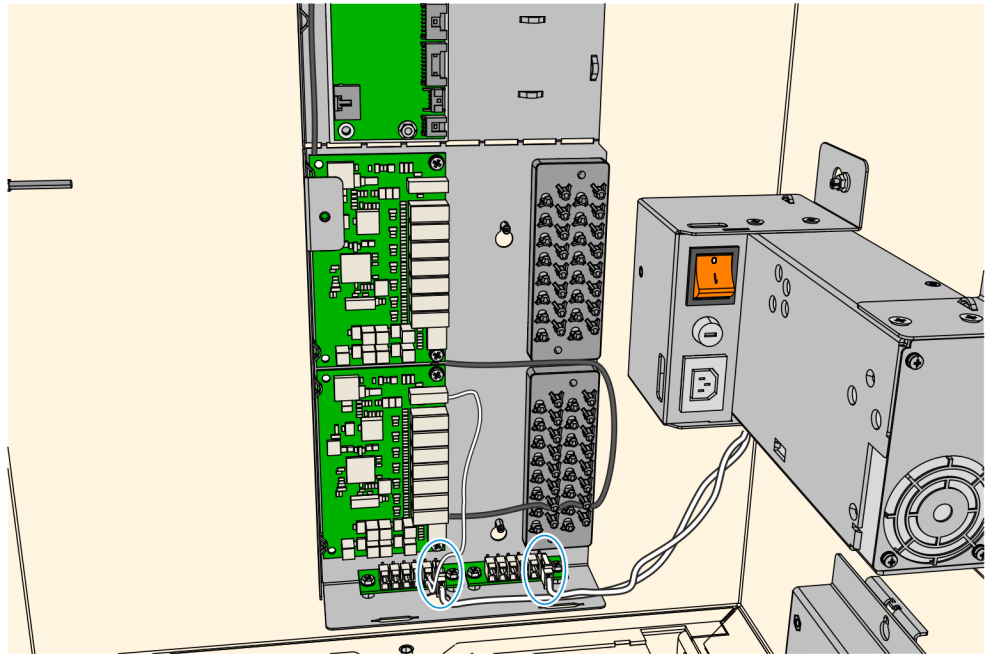


CCP-75329

## Removing the 300W PSU

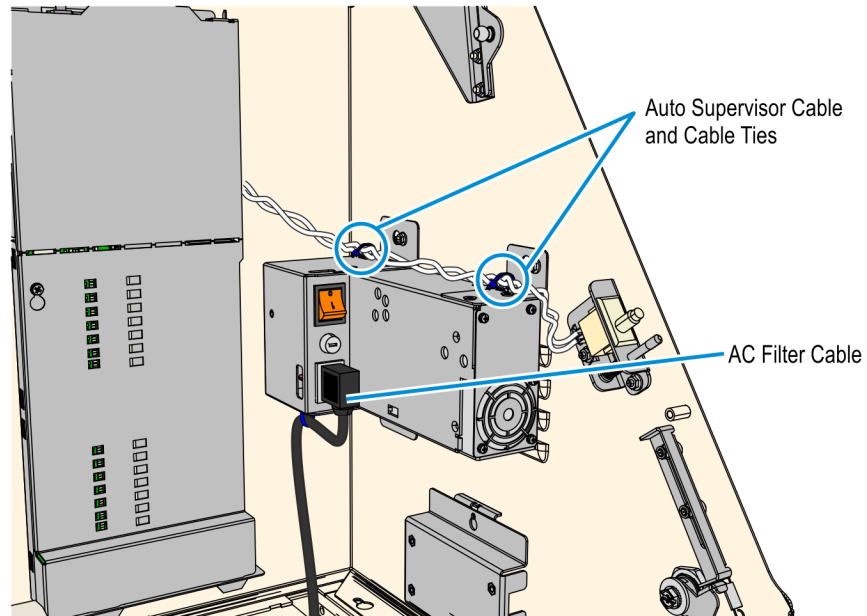
To remove the PSU, perform the following steps:

1. Disconnect the DC Distribution cables with **DC HUB** labels from the I/O Panel Mini DC Hubs.



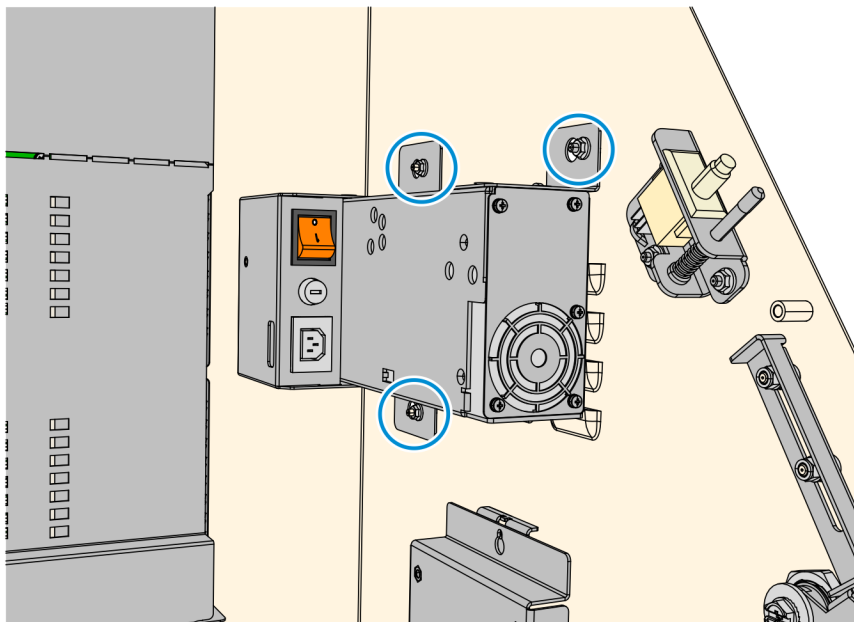
CCP-71753

2. Remove the following cables from the PSU assembly:
  - **AC Filter cable** – disconnect and cut off the cable tie at the bottom, securing it to the PSU assembly.
  - **Auto-Supervisor cable** – cut off the cable ties shown below and secure the cable away from PSU assembly.



CCP-75331

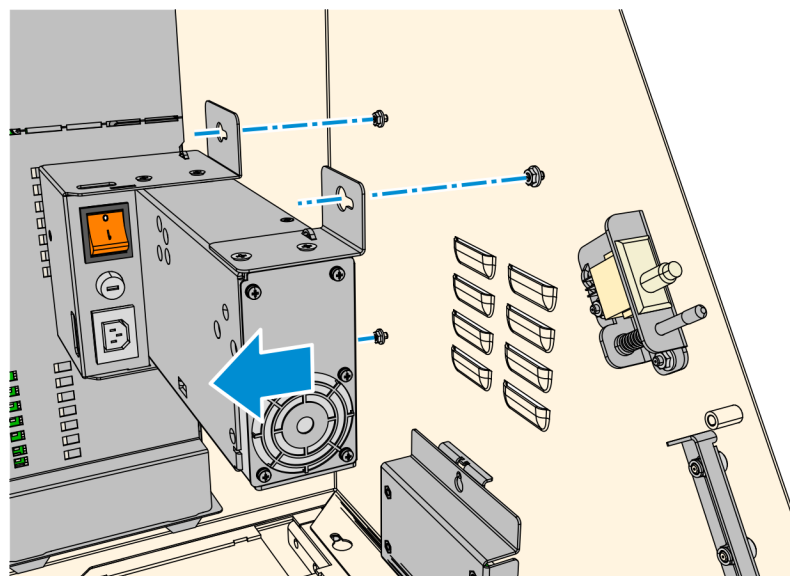
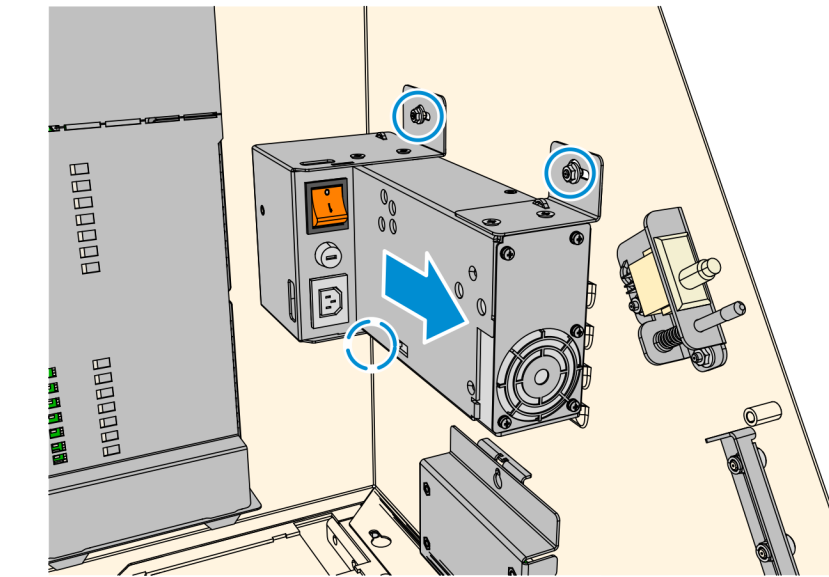
3. Loosen the three nuts securing the AC Power Switch and PSU assembly from the top box.



CCP-75332

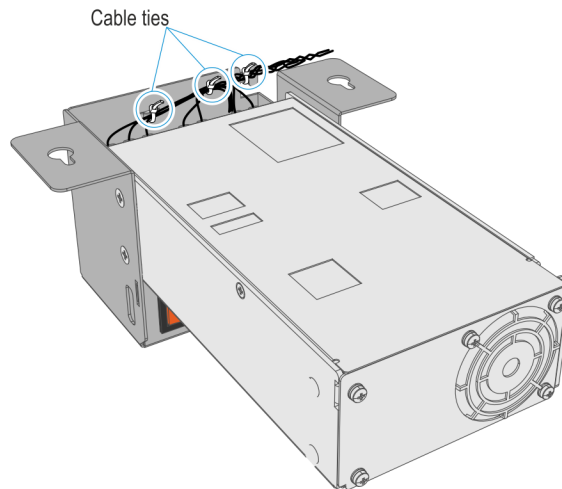


- Slide the assembly forward and remove it from the top box.



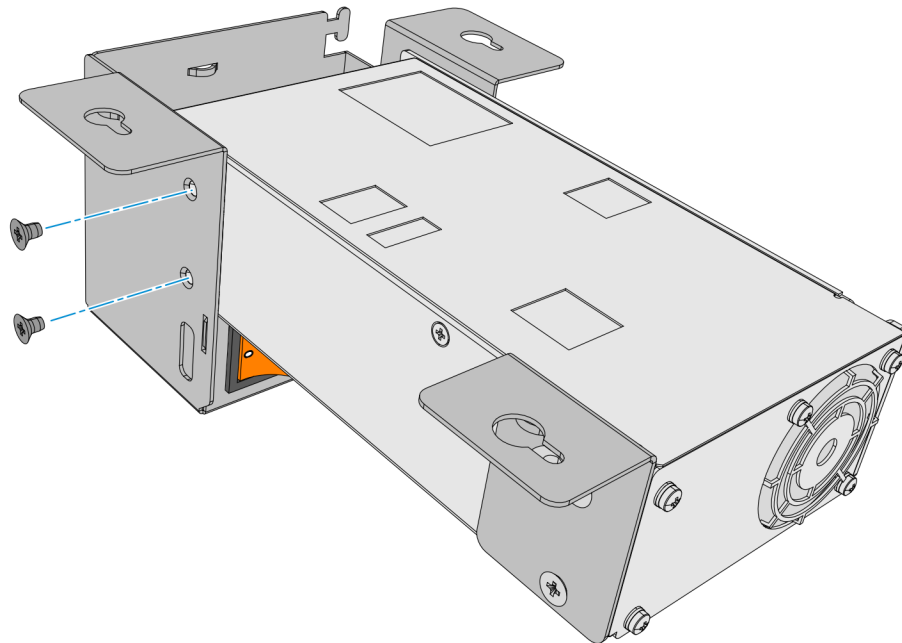
## Removing the PSU DPST Switch

1. On the power supply assembly, cut off the cable ties securing the PSU cables to the brackets.



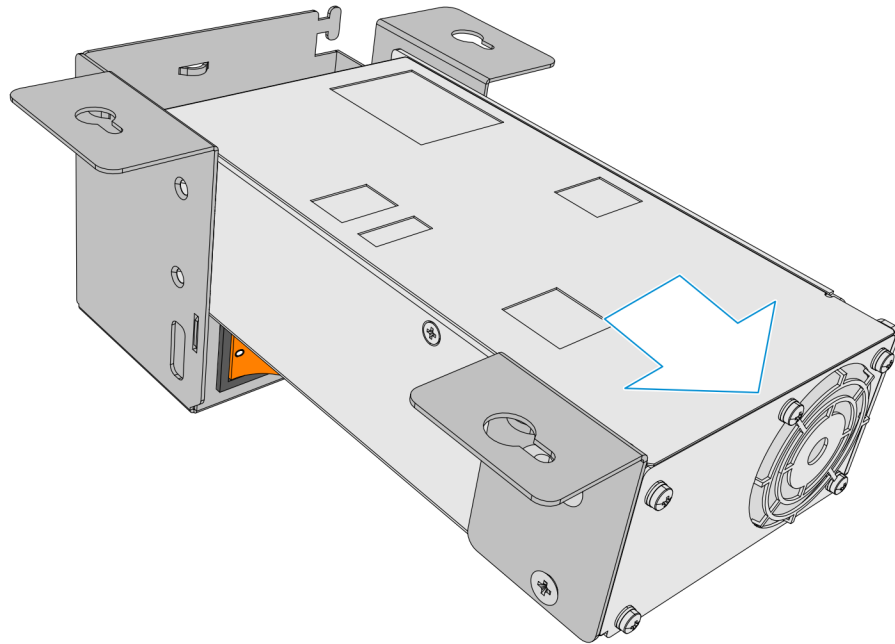
CCP-68024

2. Remove the two screws securing the PSU from the bracket.



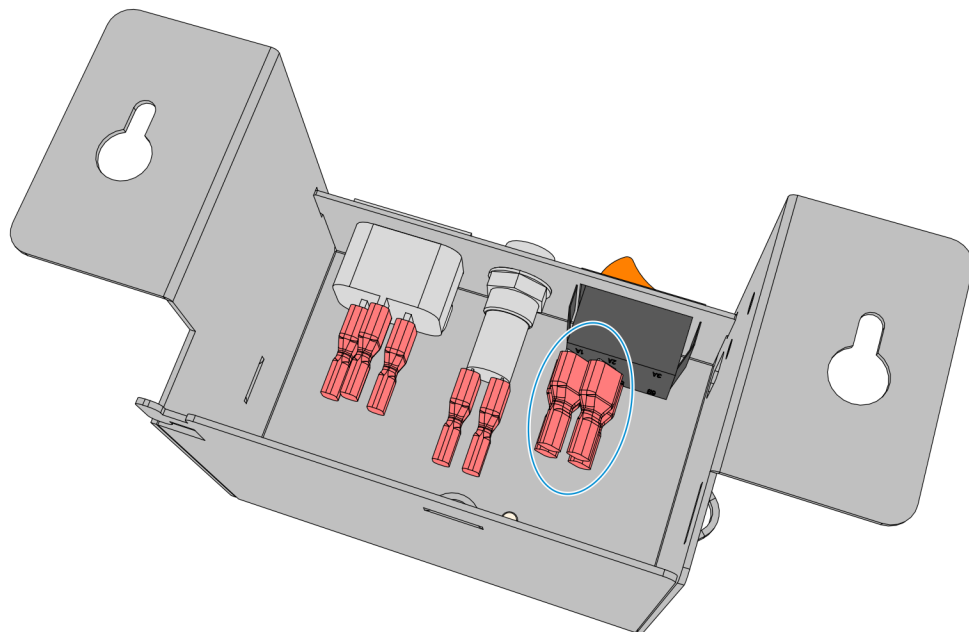
CCP-71672

3. Slowly slide out the PSU from the assembly, note that there are still cables connected to the PSU.



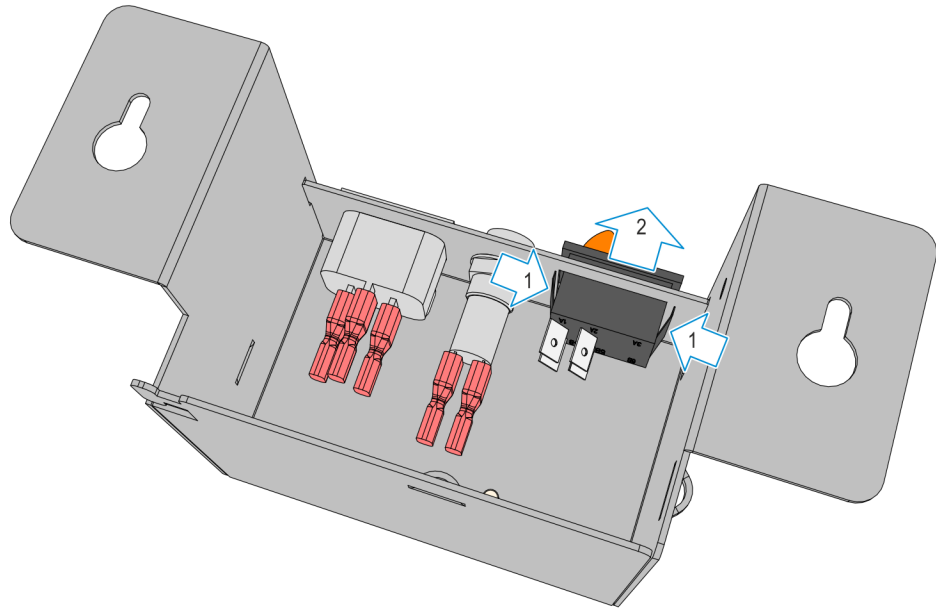
CCP-71673

4. In the bracket assembly, disconnect all the cables connected to the DPST Switch.



CCP-71674

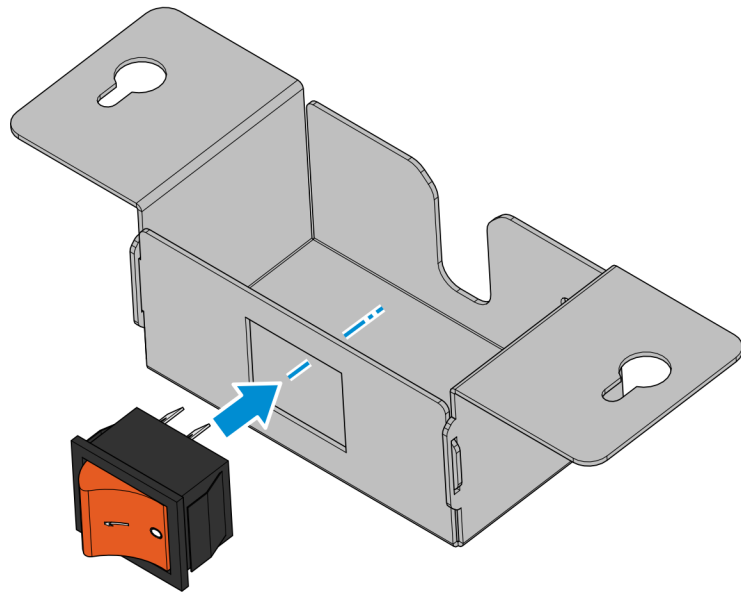
5. Press the sides of the Switch and push it out of the bracket.



CCP-71677

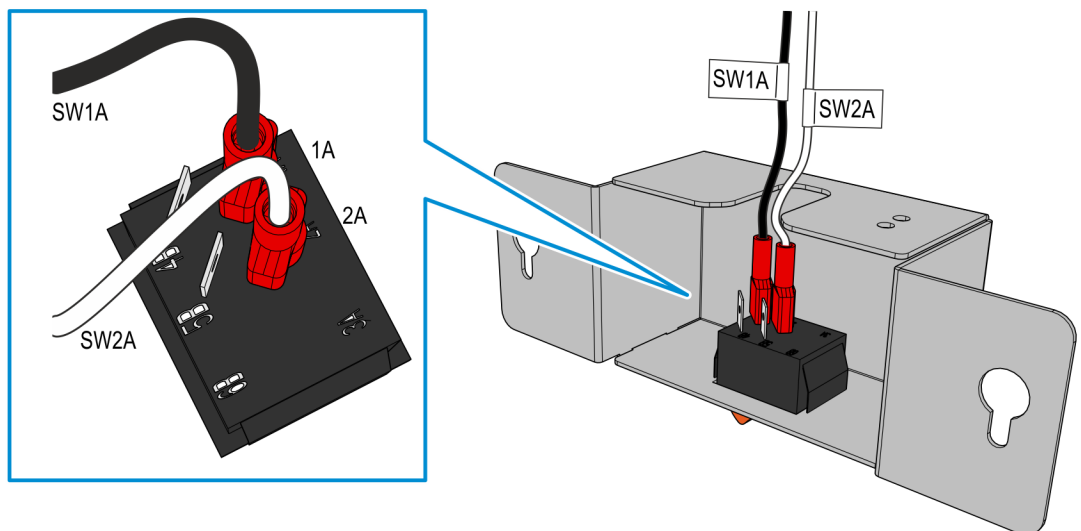
## Installing the PSU Switch Assembly

1. Insert the DPST Switch into the Switch Bracket included in this kit.



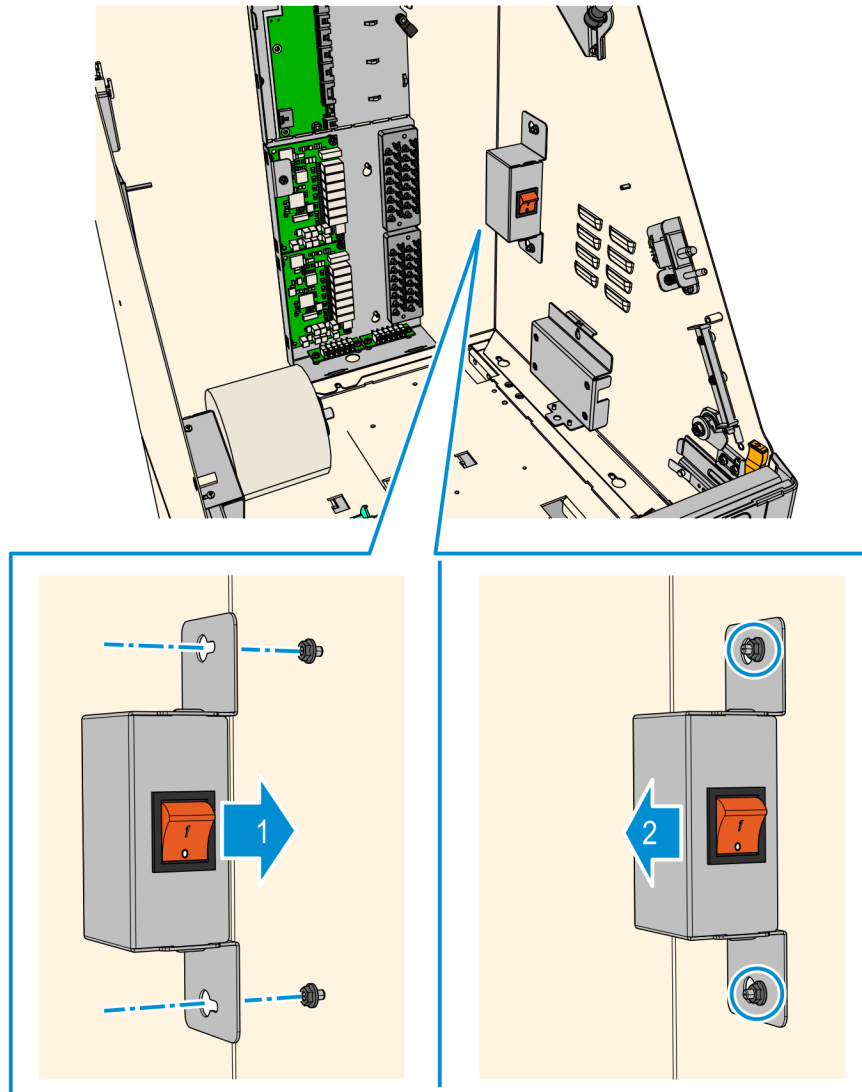
CCP-75311

2. Connect the wire connectors of the Power Supply Switch cable to the DPST Switch.
  - Connect wire **SW1A** to the **1A** pin of the switch
  - Connect wire **SW2A** to the **2A** pin of the switch



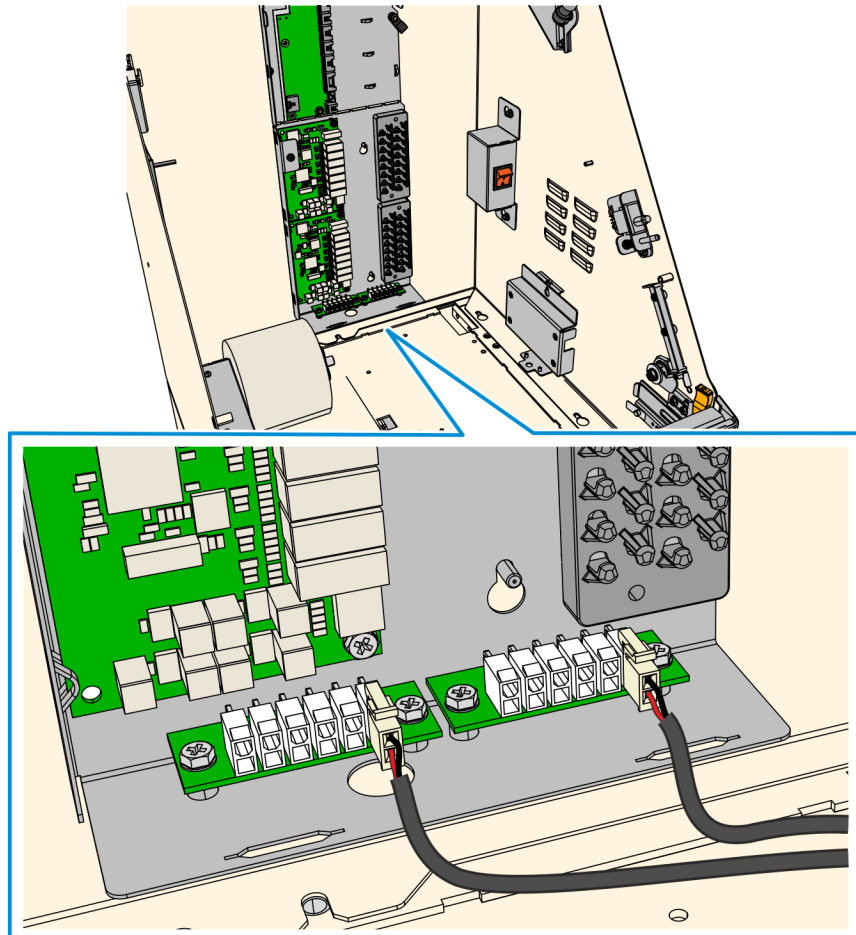
CCP-75312

3. Mount and secure the Switch Assembly to the kiosk in the same position as the old PSU.
  - a. Insert the keyhole slots of the bracket through the nuts and then slide the assembly backward.
  - b. Tighten the two nuts to secure the assembly.



## Routing PSU Cables

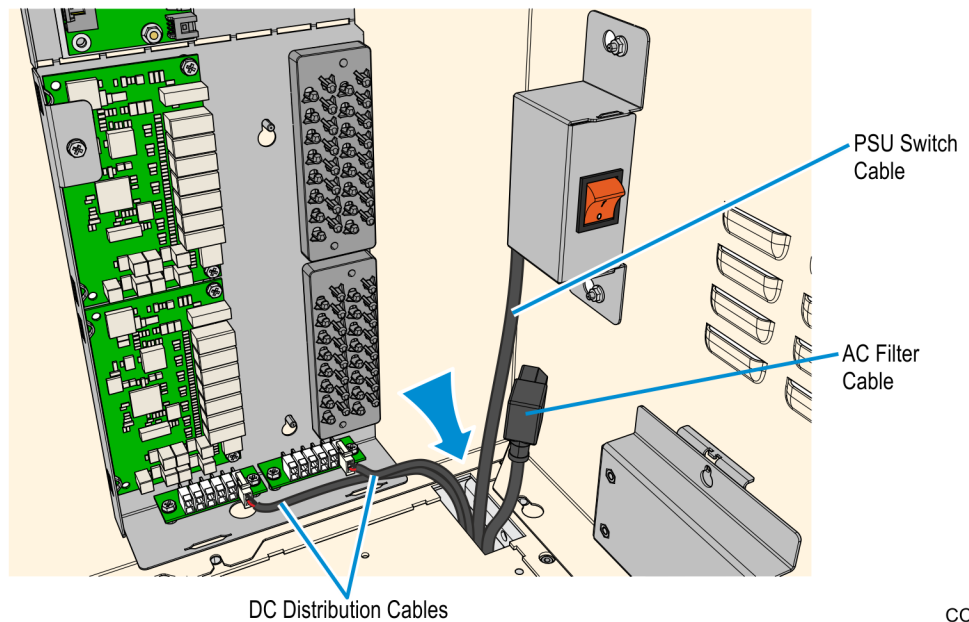
1. Using the small 2-pin connector, connect a DC Distribution cable to each of the DC Hub in the I/O Panel.



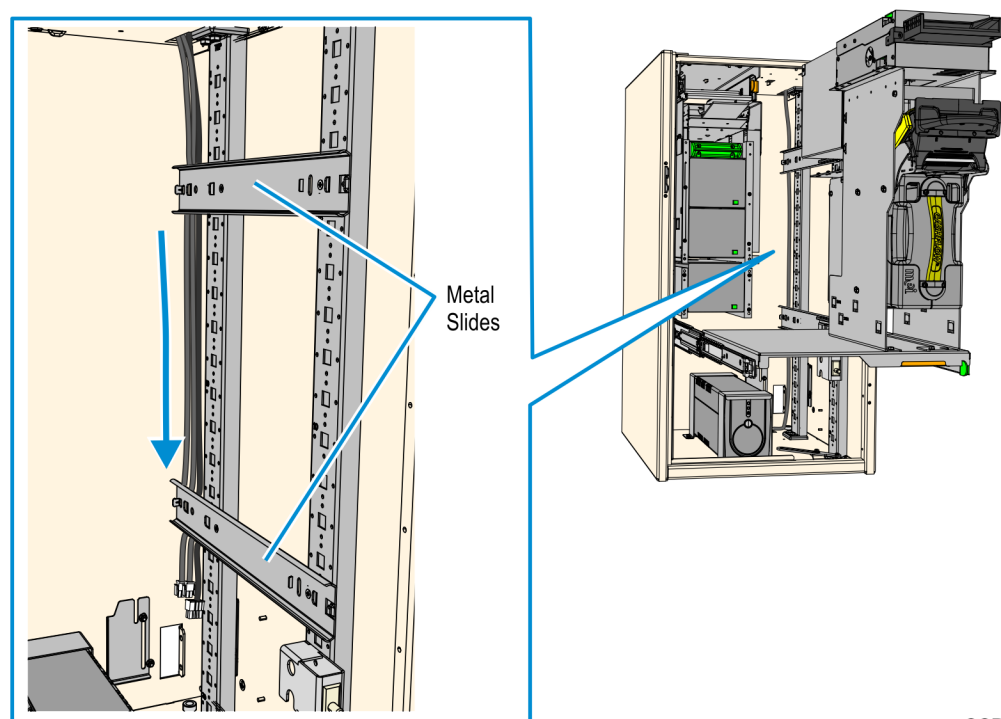
CCP-75317

2. Drop the following cables into the cable access hole towards the Kiosk Safe:

- DC Distribution cables
- PSU Switch cable
- AC Filter cable



3. In the Safe, carefully pull the cables downward towards the bottom, routing the cables behind the Metal Slides.

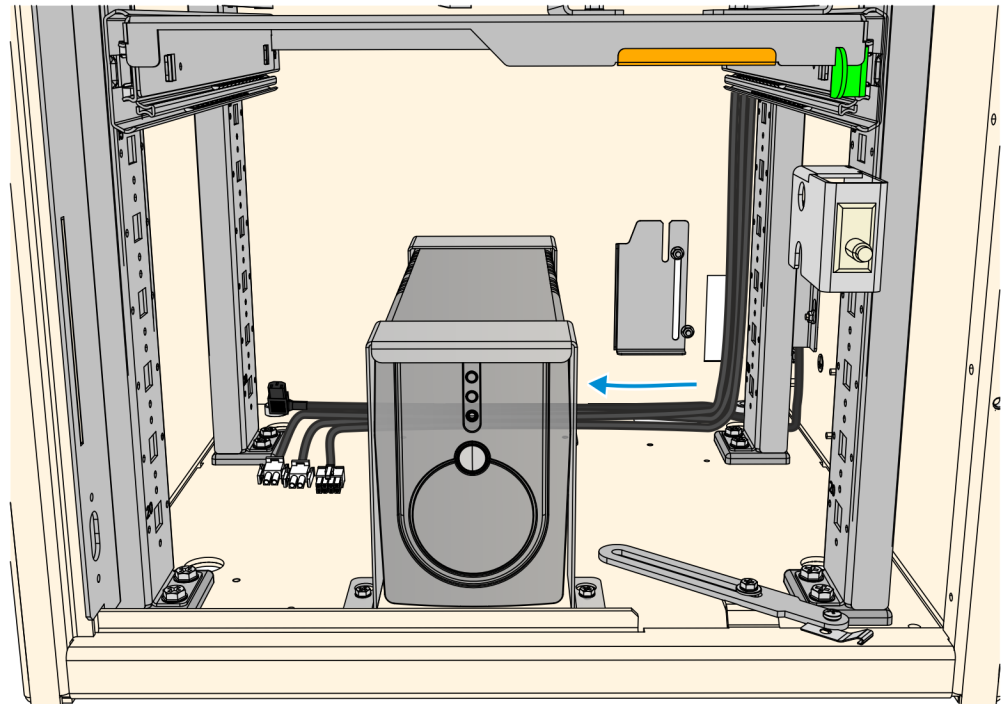




4. Route the cables towards the opposite side of the Safe along the rear panel.



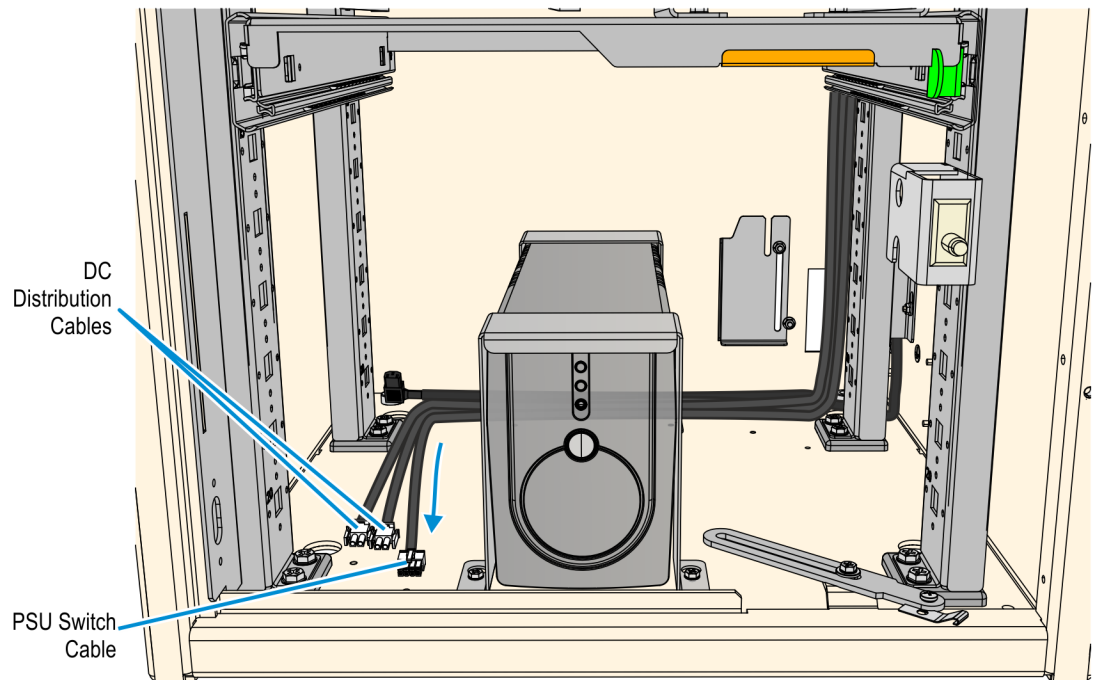
**Note:** If a UPS is present, ensure that the cables do not obstruct the UPS.



CCP-75320

5. Route the following cables towards the front side of the Safe:

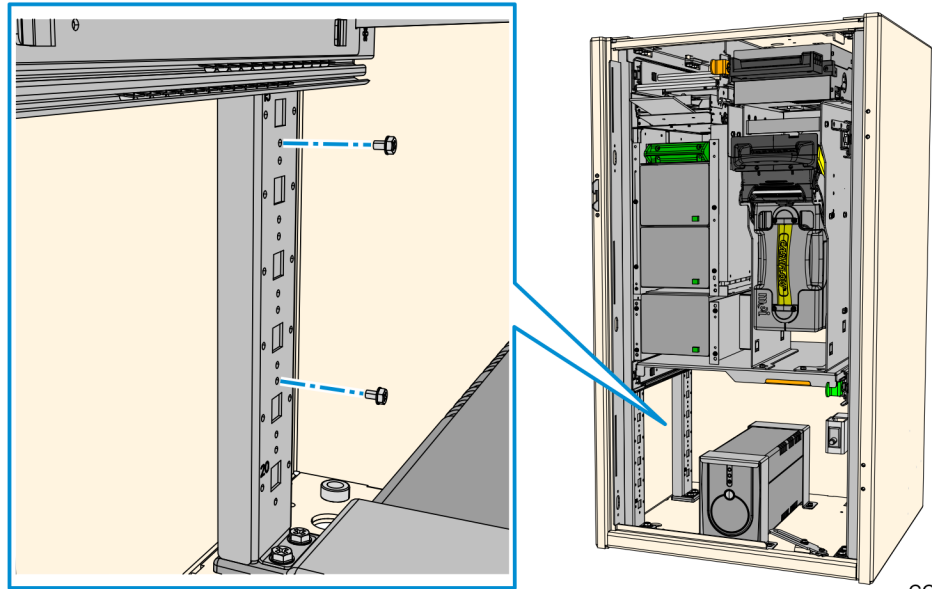
- DC Distribution cables
- PSU Switch cable



CCP-75321

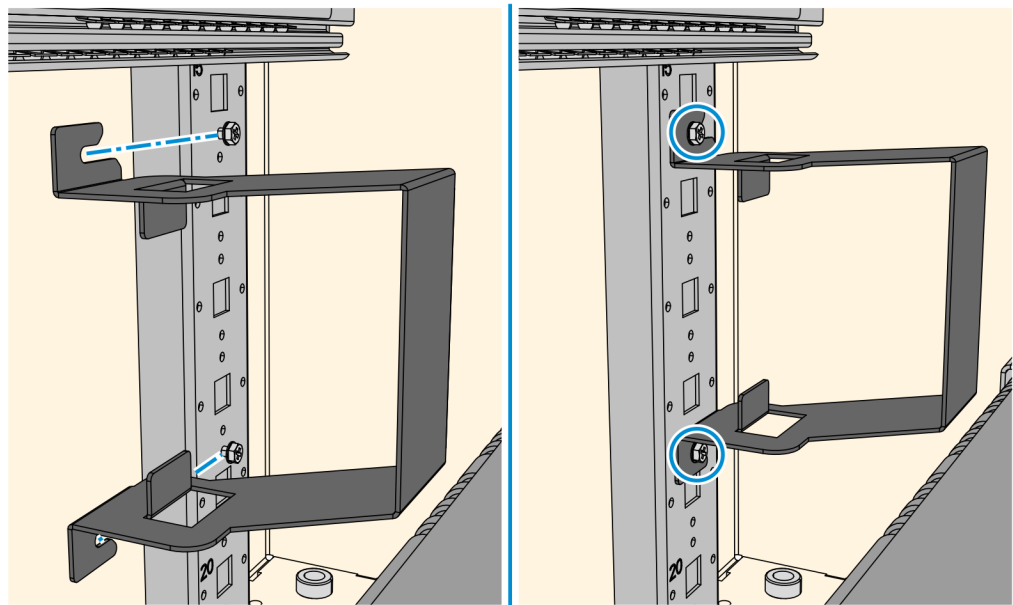
## Installing the 600W PSU

1. Mount and secure the Support Bracket to the rear left-hand Vertical Rail.
  - a. Partially tighten two M4 screws on the following mounting holes of the rail:
    - First center mounting hole from the metal slide
    - Fourth center mounting hole from the bottom of Safe



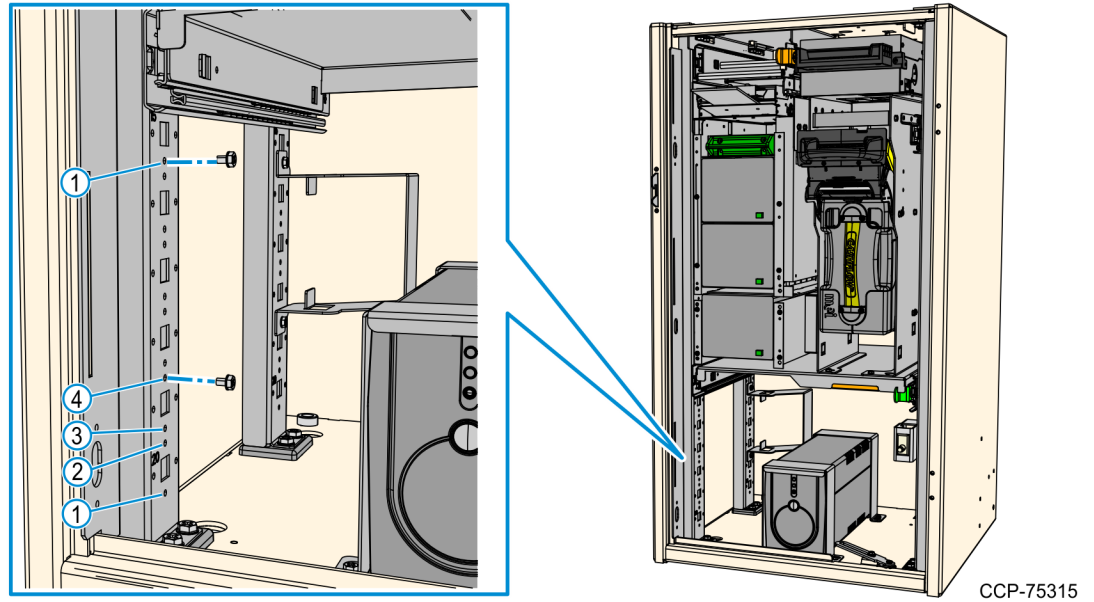
CCP-75314

- b. Slide the Support Bracket into the screws and then fully tighten the screws to secure the bracket.

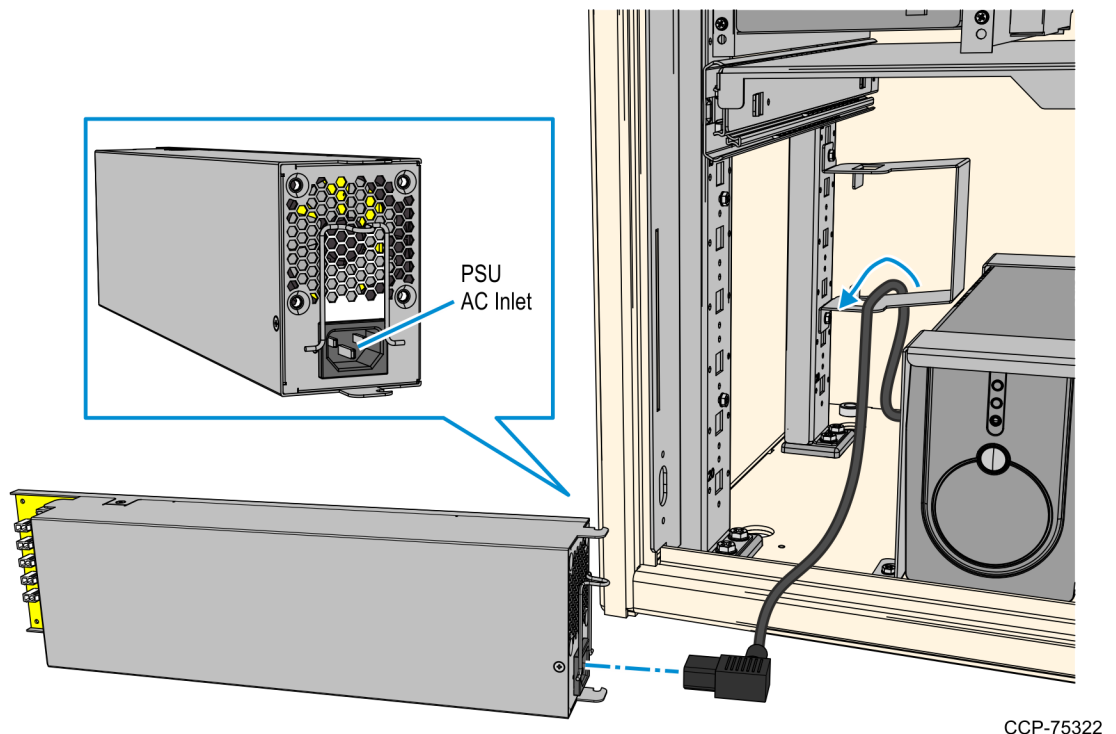


CCP-75315

- Partially tighten two M4 screws on the following mounting holes of the front Vertical Rail:
  - First center mounting hole from the slide
  - Fourth center mounting hole from the bottom



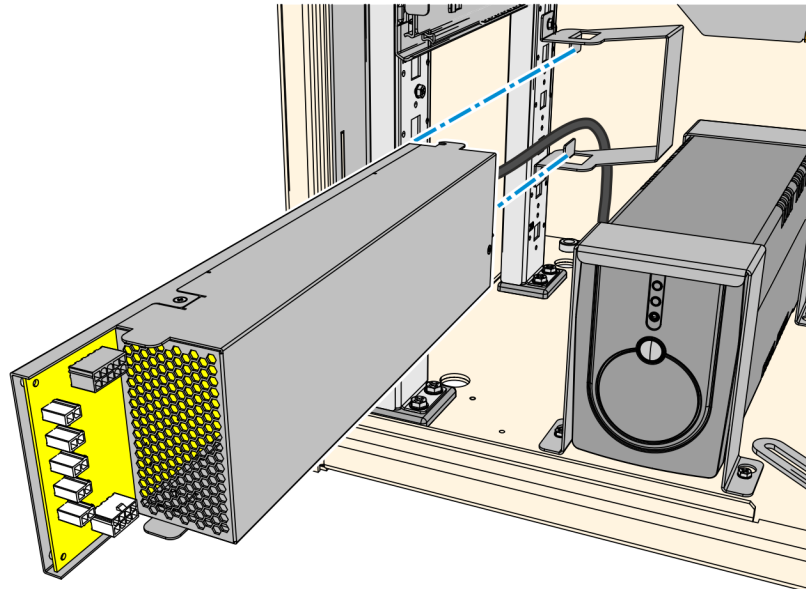
- From the rear side, insert the AC Filter cable through the PSU Support Bracket and then connect the cable to the 600W PSU AC inlet.



4. Insert and slide the 600W PSU into the Support Bracket.



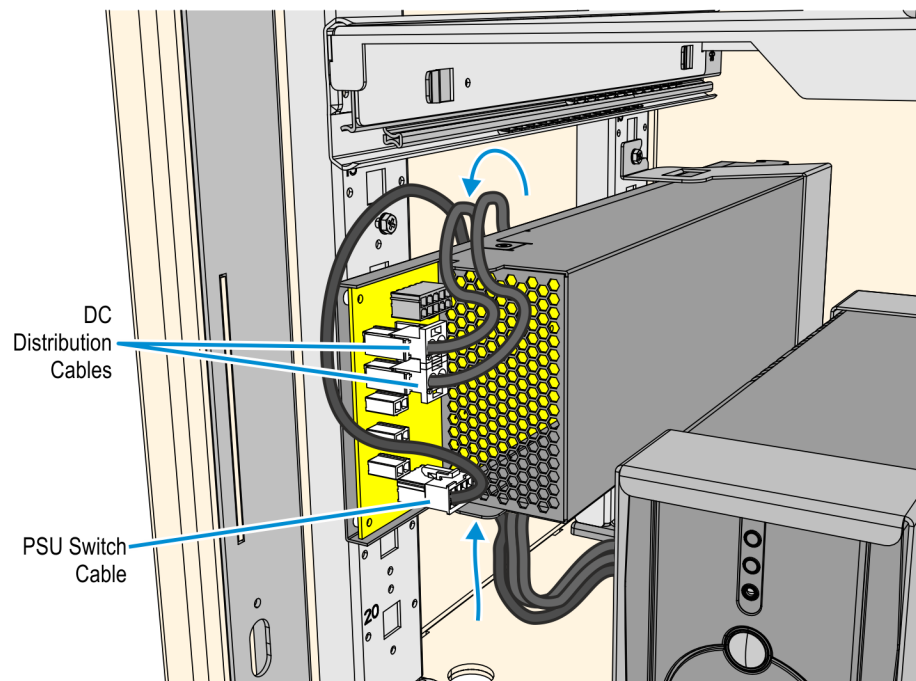
**Note:** Ensure that the AC Filter cable is not pinched between the PSU and bracket.



CCP-75323

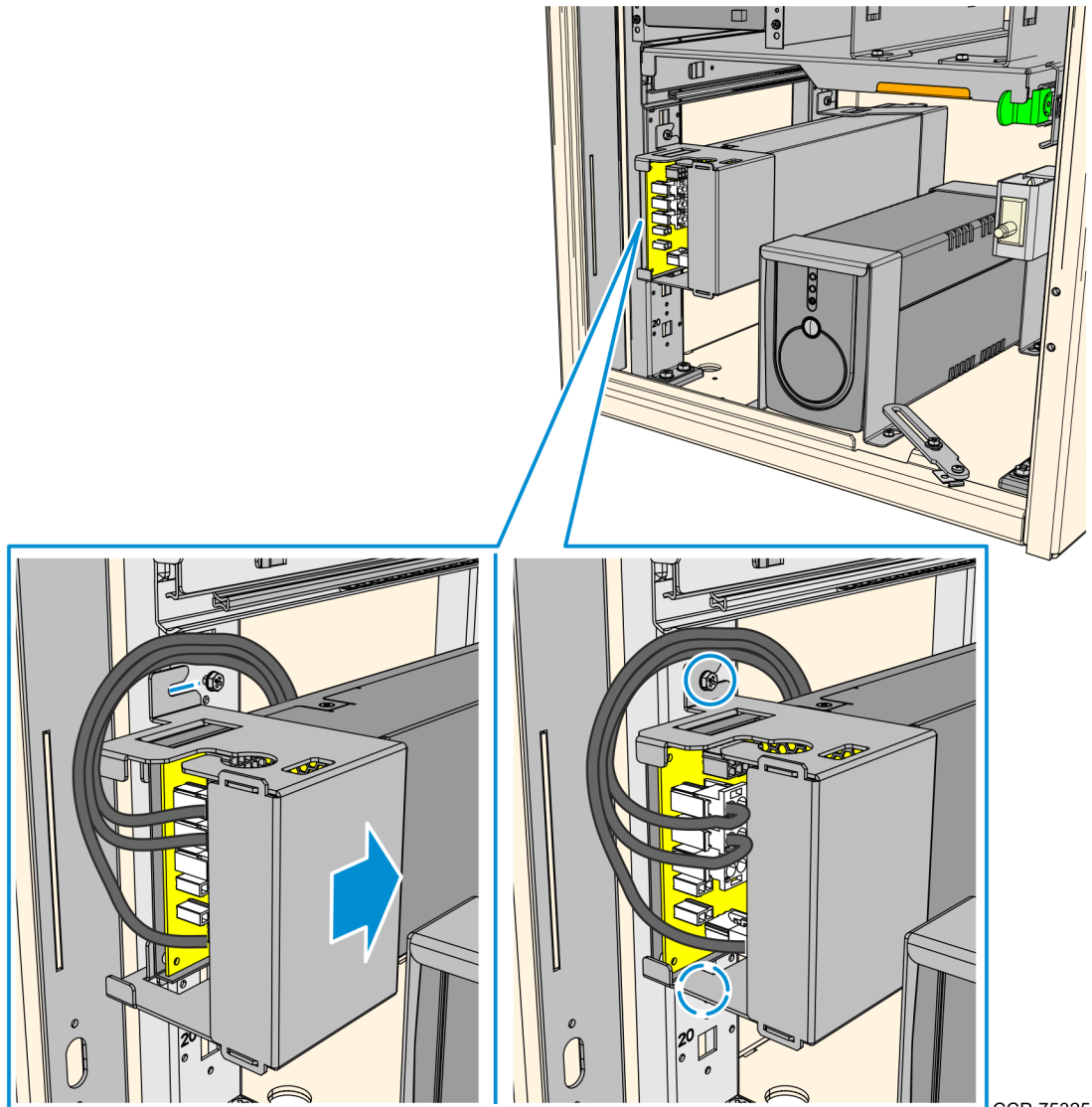
5. Connect the following cables to the PSU:
  - DC Cables from the DC Hubs to the 2-pin ports
  - Power Supply Switch cable to the 8-pin port

From the bottom of the safe, route the cables upward behind the PSU and then loop the cables toward the PSU ports.



CCP-75324

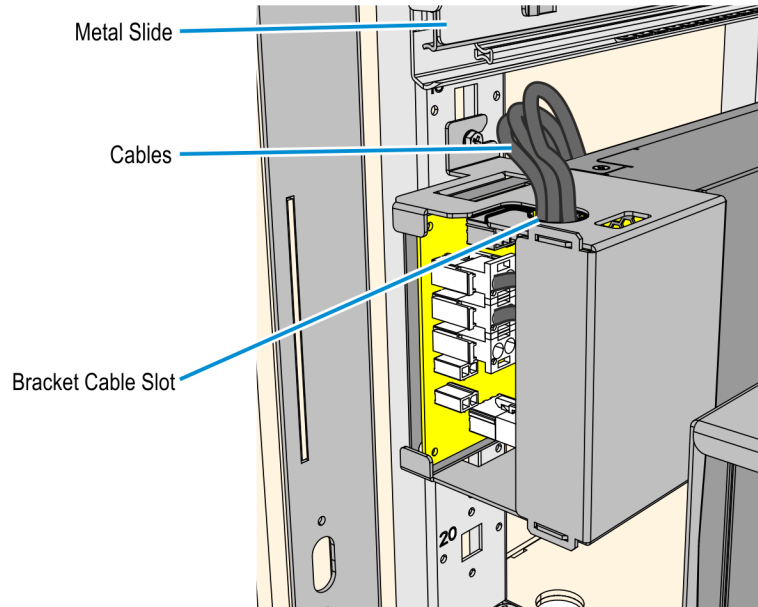
6. Align the PSU Bracket to the PSU and then insert the bracket to the partially mounted screws on the front Vertical Rail.
  - Ensure that the cables are not pinched and are not obstructing the bracket during insertion.
  - Ensure that the PSU sits within the bracket stoppers for proper mounting position.



7. To secure the cables, insert the cables into the round slot of the bracket.

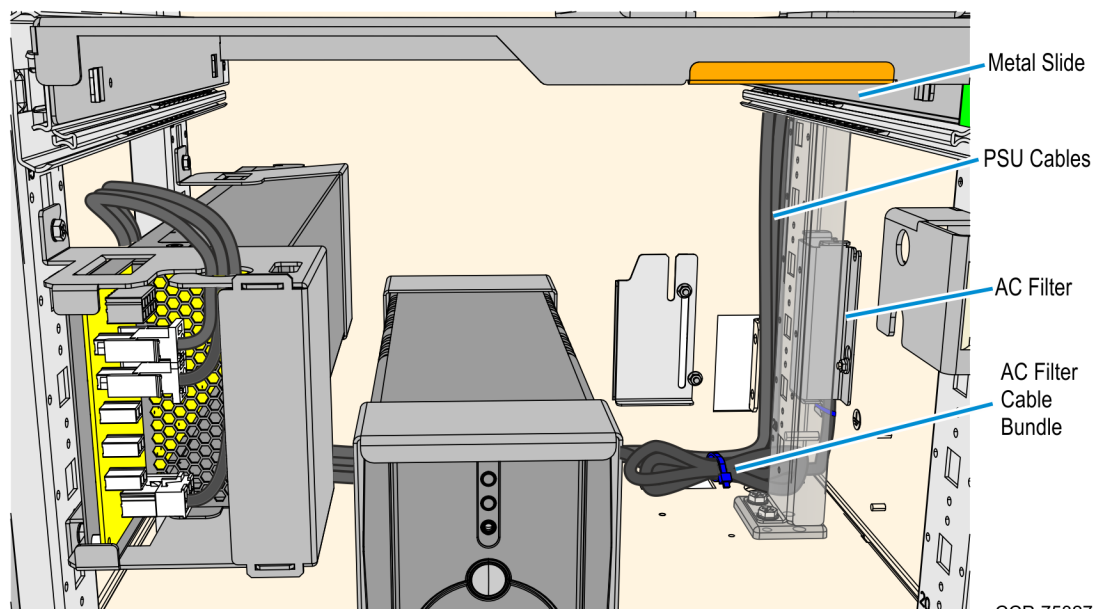


**Note:** Ensure that the cables do not obstruct the Metal Slide when pulling the Cash Acceptor tray in and out. If necessary, insert the cable loops behind the Metal Slide.



CCP-75326

8. In the rear right-hand side of the Safe, ensure that the cables are properly routed and secured:
- Bundle the excess cable length of the AC Filter cable using a cable tie.
  - Ensure that the PSU cables are routed behind the Metal slides.



CCP-75327

## Installing the I/O Panel Cover

1. At the bottom part of the I/O Panel, align the tabs on the cover to the slot of the I/O Panel.
2. At the top part, of the I/O assembly, align the slots of the cover to the tabs on the I/O Panel.
3. Carefully slide the cover downwards inserting the tabs to the slots and mounting screw through the cover keyhole slot. Make sure that the cables are not pinched or snagged by the cover.
4. Tighten the screw to secure the cover to the panel.

