

Kit Instructions

7705 Sidecar Upgrade (Minimal Configuration)



7705-K052
Issue A



The product described in this book is a licensed product of NCR Corporation.

NCR is a registered trademark of NCR Corporation. NCR SelfServ™ is a trademark of NCR Corporation in the United States and/or other countries. Other product names mentioned in this publication may be trademarks or registered trademarks of their respective companies and are hereby acknowledged.

The terms HDMI and HDMI High-Definition Multimedia Interface, and the HDMI Logo are trademarks or registered trademarks of HDMI Licensing LLC in the United States and other countries.

Where creation of derivative works, modifications or copies of this NCR copyrighted documentation is permitted under the terms and conditions of an agreement you have with NCR, NCR's copyright notice must be included.

It is the policy of NCR Corporation (NCR) to improve products as new technology, components, software, and firmware become available. NCR, therefore, reserves the right to change specifications without prior notice.

All features, functions, and operations described herein may not be marketed by NCR in all parts of the world. In some instances, photographs are of equipment prototypes. Therefore, before using this document, consult with your NCR representative or NCR office for information that is applicable and current.

To maintain the quality of our publications, we need your comments on the accuracy, clarity, organization, and value of this book. Please use the link below to send your comments.

Email: FD230036@ncr.com

Copyright © 2018
By NCR Corporation
Atlanta, GA U.S.A.
All Rights Reserved

Revision Record

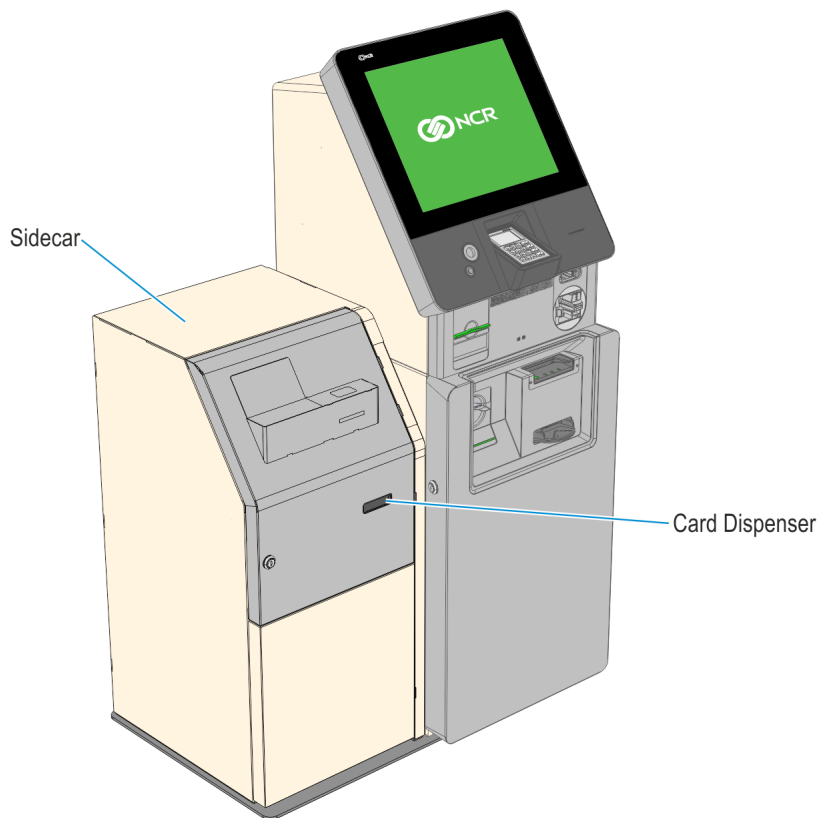
Issue	Date	Remarks
A	Oct 2018	First Issue

7705 Sidecar Upgrade (Minimal Configuration)

Introduction

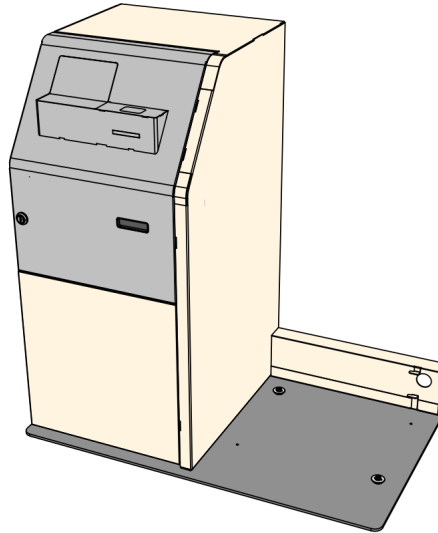
This kit provides a Sidecar with a SIM Card Dispense feature to the NCR SelfServ™ 75 (7705) Kiosk.

The SelfServ 75 Kiosk with Sidecar configuration is freestanding and does not require to be bolted to the floor.



CCP-72033

Kit Contents

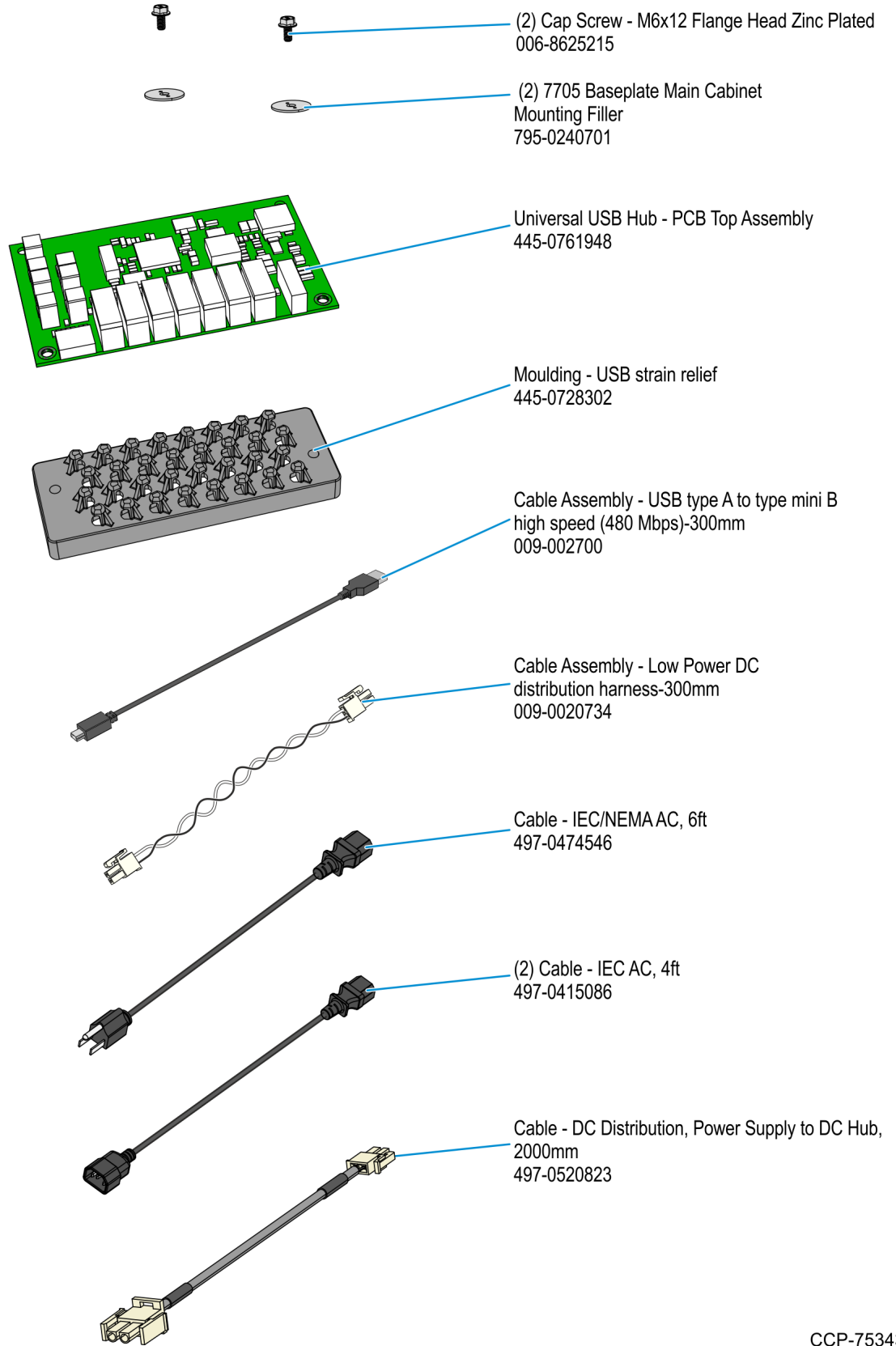


Sidecar with SIM Card Dispenser Assembly

Cable - USB to Serial, 1ft. length 006-8615029	(54) Nut - M4 Keps 006-8611847
Cable Assembly - USB type A to type mini B high speed (480 Mbps)-300mm 009-002700	(10) Screw - metric flat head Phillips machine screw Zinc-Plated stl, M4 size, 8mm length, .7mm pitch 006-8613226
Cable Assembly - USB type A to type mini B high speed (480 Mbps)-2500mm 009-002710	(9) Screw - M4x8, Phillip pan head, SEMS 006-8617796
Cable Assembly - Low Power DC distribution harness-300mm 009-0020734	(2) Nut - M5 self locking, nylon-insert 006-8624482
Cable - IEC AC Power, 2ft 497-0413916	(2) Washer - flat, ID 5.3mm, OD 15mm 006-8624483
(2) Cable - IEC AC Power, 4ft 497-0415086	(4) Shim - round, 16mm, 10mm ID 006-8624484
Cable - Ground Wire, 12 AWG, 6in. 497-0435725	(2) Bearing - nylon, MDS-Filled 006-8624485
(2) Cable - ground Wire, 12 AWG, 36in. 497-0456662	(2) Screw - M5x16, Pan Head 006-8624486
Cable - +24V Sankyo Card Dispenser, 2000mm 497-0512404	(2) Shim - round, 10mm, 1mm thick 006-8624530
Cable - Sankyo Card Dispenser RS232, 2800mm 497-0514767	(8) Screw, M5x10, flat head, phillips, Zinc plated 006-8625121
(8) Nut - M5 Keps 006-8602911	(4) Cap Screw - M6x10, flange head, Zinc plated 006-8625214
(2) Lock Nut - M4 ZN 006-8611748	(2) Washer - FL 4.40 0.80 8.85 Steel 007-8735203
	(6) Screw - Hex, pozidrive, M4, 6.0 009-0006592

7705 Sidecar Door 795-0233701	7705 Sidecar Cabinet 795-0244201
7705 Door Locking Frame 795-0240801	(18) Cable Clamp (Open Loop) - 3/4in. ID nylon, natural 006-8616844
7705 Sidecar Hinge 497-0513538	Plug Hole Dome 1.5in. diameter, white 006-8617412
7705 Sidecar Shelf 497-0512362	7705 Sidecar Cable Cover 795-0234101
(2) Slide - length 400mm, travel 440mm, load 73kg 006-8625110	(2) Wing Nut - M4, steel, Zinc plated 006-8625120
(4) Cable Clamp (Open Loop) - 3/8in. ID, nylon natural 006-8616847	7705 Sidecar Slide Adjuster Shelf 497-0512363
(2) 7705 Hub Lock 497-0513736	(2)7705 Sidecar Lock Catch 497-0513767
Bracket - 7705 Lock Trigger 497-0513738	7705 Sidecar Cabinet Door 795-0233601
Spring Extension 445-0734913	7705 Sidecar Base Plate 795-0234201
Security Lock 009-0019711	Foam Gasket - Sankyo, Card Dispenser 497-0453060
Bracket - 7705 Lock Cam 497-0513740	Card Dispenser/Reader/Writer, Sankyo Triple Hopper, MST3Q8-3A3130 497-0512360
Cover - 7705 USB Hub, Mini DC Hub Cover 497-0512371	7705 Blanking Plate - Card Reader 795-0243601
Universal USB Hub PCB Top Assembly 445-0761948	7705 Blanking Plate - Biometric 795-0243701
Mini DC Hub (Board Assembly) 445-0728933	7705 Blanking Plate - Passport Reader 795-0245901
Power Strip - IEC 4-POS plastic case 445-0728933	

CCP-75376



Tools Required

When installing the Kiosk to the Sidecar, it is recommended that you have the following items available:

- Pincers/claw hammer to remove staples/nails from around the pallet
- Scissors
- Selection of screwdrivers (flat, Pozi and cross head)
- Hex nut driver set (including M3 and M4 sizes)
- **17 mm** (11/16 in.) ring/open-ended combination spanner or socket
- Lifting/moving device with a toe plate of suitable length and width to fit under the Kiosk when on a pallet.

Installation Procedure



Warning: Disconnect the Main AC power cord before disassembling the Terminal.



Caution: Static Electricity Discharge may permanently damage your system. Discharge any static electricity build up in your body by touching the metal cabinet of the Kiosk for a few seconds. Avoid any contact with internal parts and handle cards only by their external edges.

The 7705 with Sidecar is freestanding and does not require to be bolted to the floor.

To install the Sidecar to the Main Kiosk Cabinet, perform the procedures below.

1. *Remove the External Packaging from the Sidecar.*
2. *Remove the Sidecar from its Pallet.*
3. *Remove the Sidecar Cable Cover.*
4. *Mount the Kiosk on the Sidecar Baseplate.*
5. *Connect the DC Distribution Cable to the Sidecar DC Hub.*
6. *Connect the AC Cables to the Sidecar Power Strip.*
7. *Route the Sidecar Cables into the Main Kiosk Cabinet.*
8. *Connect the DC Distribution Cable to the Power Supply.*
9. *Connect the Sidecar AC Cables to the Main Kiosk.*
10. *Install the USB Hub and Cable Strain Relief to the Kiosk I/O Panel.*
11. Close the Kiosk.
12. Position the Kiosk in its final location.
13. *Add cards to the Card Dispenser Hoppers.*
14. *Turn ON the Kiosk.*

Removing the External Packaging

Before removing the external packaging, examine it for signs of damage which may have occurred during transit. Make a note of any external damage.

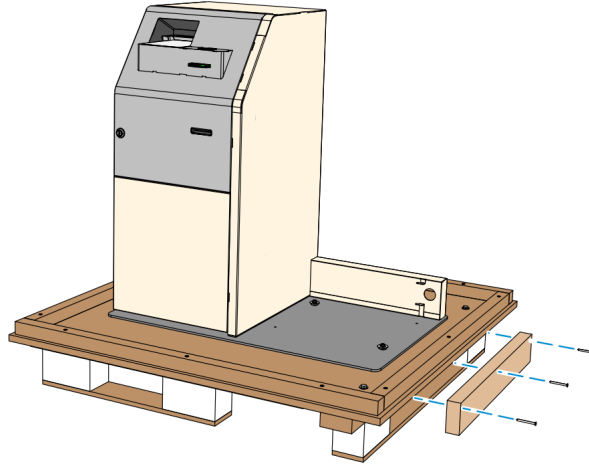


Note: Take care not to damage the Sidecar when removing the packaging.

1. Move the Sidecar near its final installation position using trolleys or a pallet jack.
2. Cut the two bands around the carton and pallet and remove the staples from the bottom of the shipping carton.
3. Lift the shipping carton off the wood shipping pallet.
4. If present, remove the plastic bag that covers the Sidecar and remove any cellophane wrapping around the unit.
5. Remove the bubble wrap or thin sheets of foam around the exterior of the Sidecar.
6. Remove the plastic bag containing the Sidecar Keys taped to the rear of the unit.

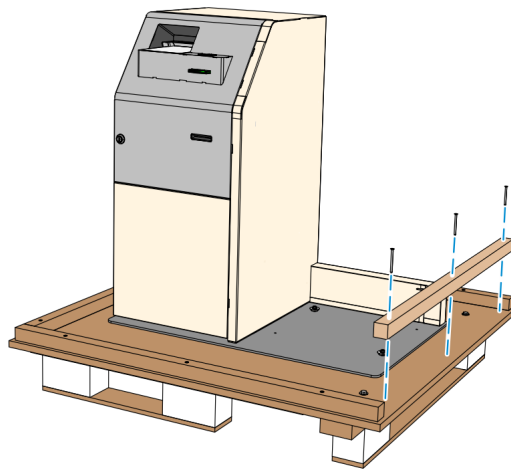
Removing the Sidecar from its Pallet

1. Underneath the right-hand side of the pallet, remove the screws (3) securing the pallet jack block and then remove the block.



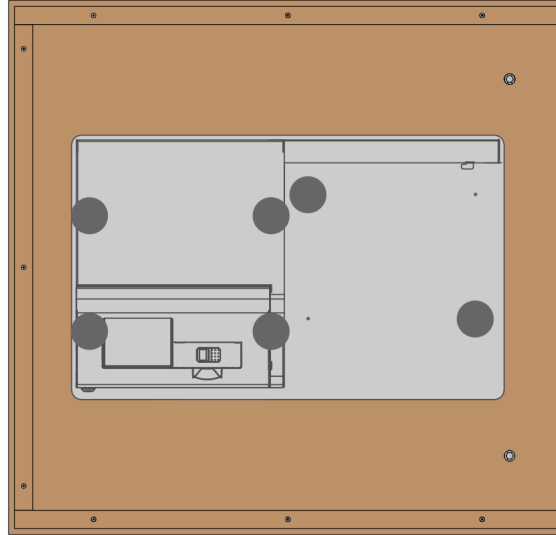
CCP-72891

2. Remove the screws (3) securing the brace board and then remove the brace board.



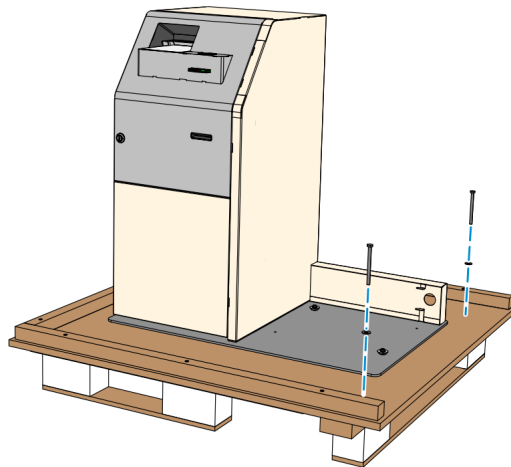
CCP-72892

- From the underside of the pallet, use a **17 mm** (11/16 in.) spanner and socket to remove the shipping bolts (6) securing the Sidecar to the pallet. The illustration below shows the Top View of the Sidecar on the Pallet with the locations of the shipping bolts.



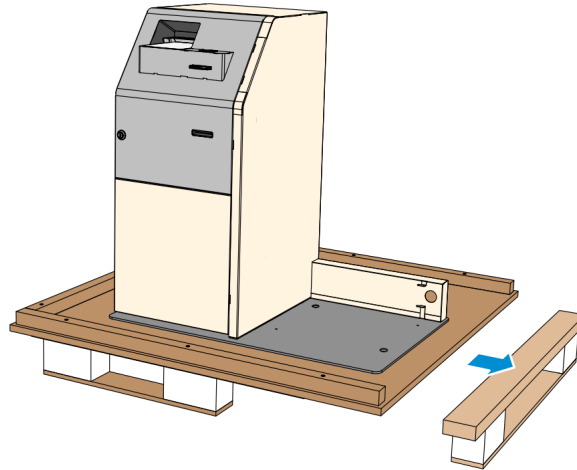
CCP-72043

- Remove the bolts (2) securing the right-hand side pallet foot r.



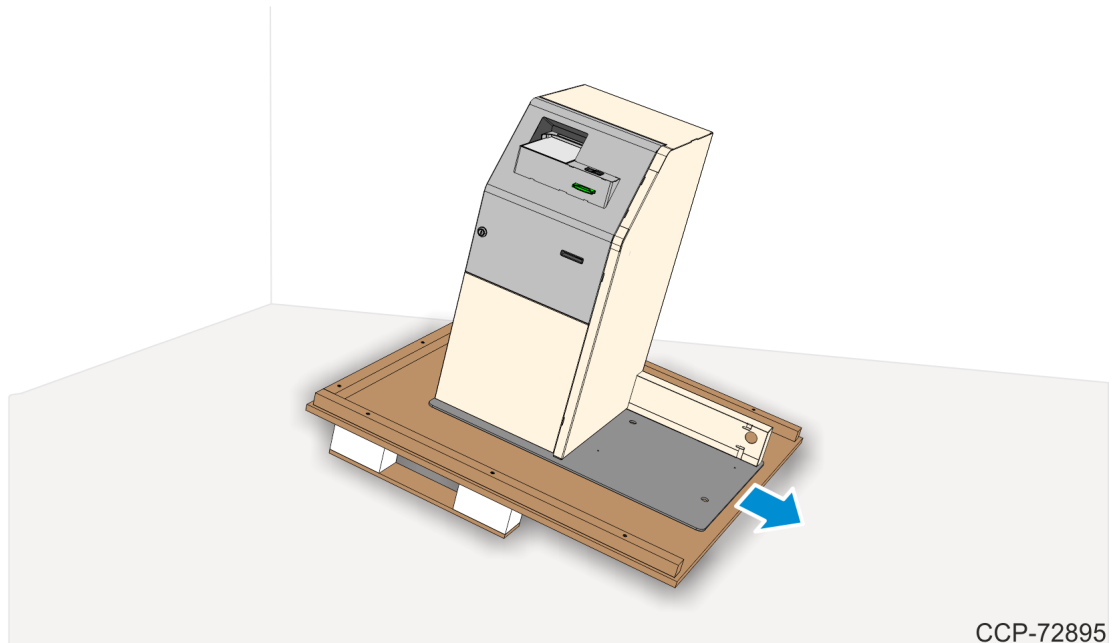
CCP-72893

5. While supporting the Kiosk on both sides, lift the pallet up using a pallet jack and remove the foot from underneath the pallet.



CCP-72894

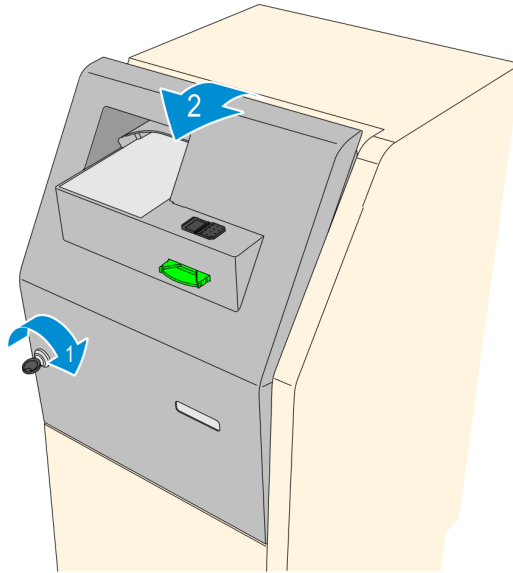
6. Support the Sidecar on both sides and lower the pallet carefully. The pallet tilts to the side where the foot was removed.
7. Slowly slide the Sidecar off the pallet.



CCP-72895

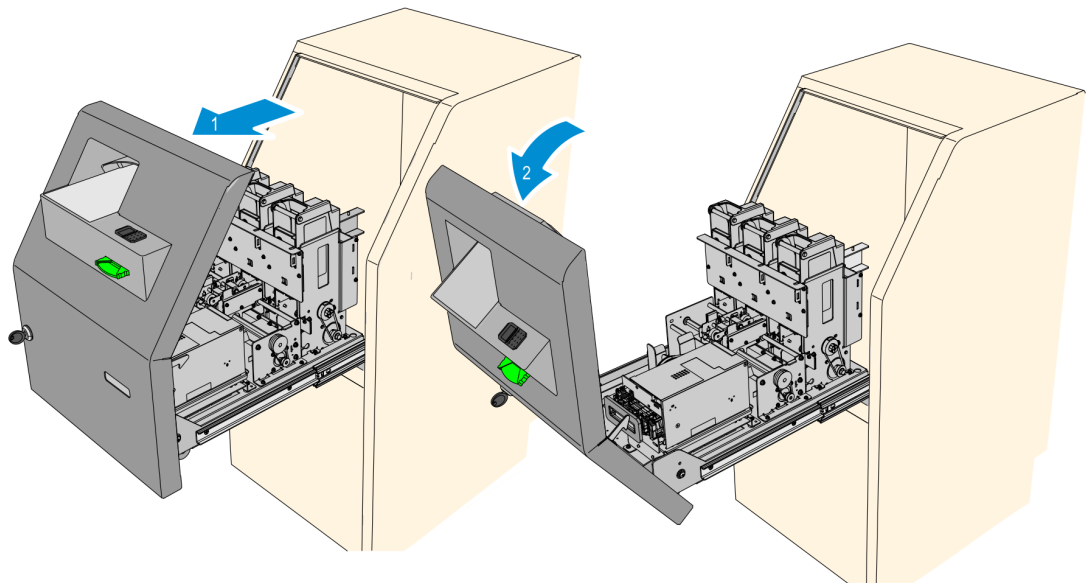
Removing the Sidecar Cable Cover

1. Insert the Sidecar Key to the lock.
2. Turn and hold the key to the clockwise position, then slightly tilt the top side of the Sidecar Door forward to unlock the door.



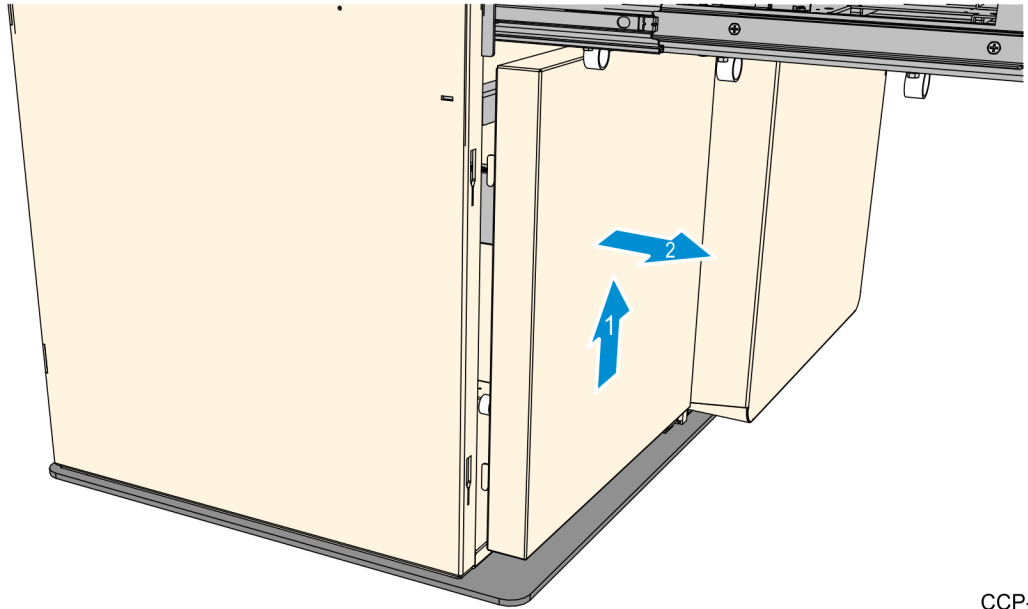
CCP-70880

3. Pull the fascia away from the Sidecar cabinet until fully extended. For best access to the devices mounted on the Sidecar Fascia, tilt the door forward until it stops.



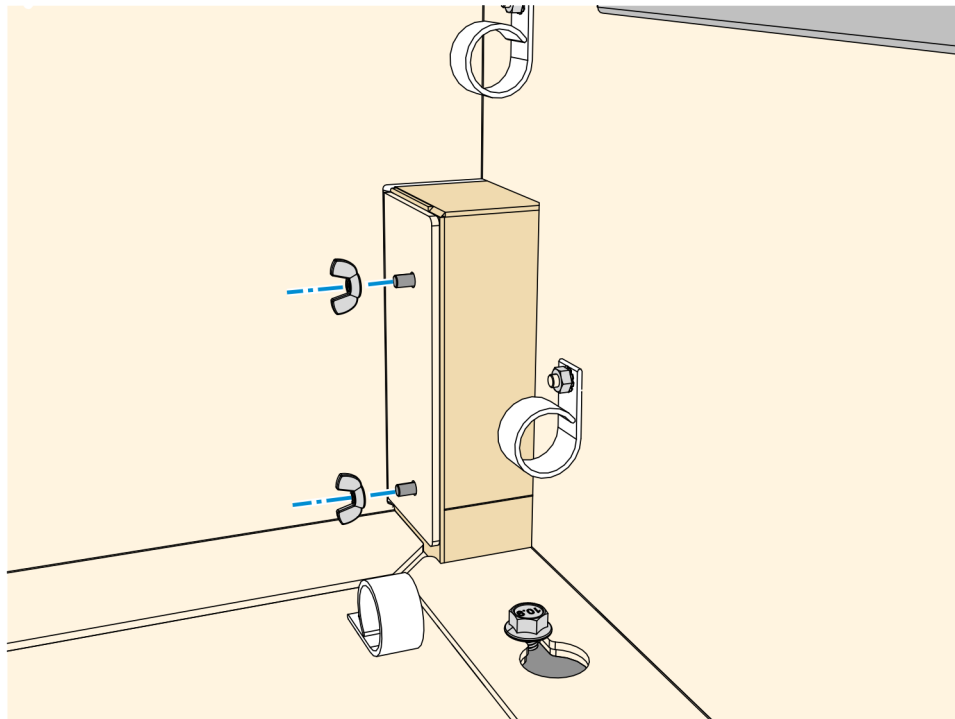
CCP-71633

- Slide the Cover Panel upward to unhook it and then pull it away from the Sidecar cabinet.



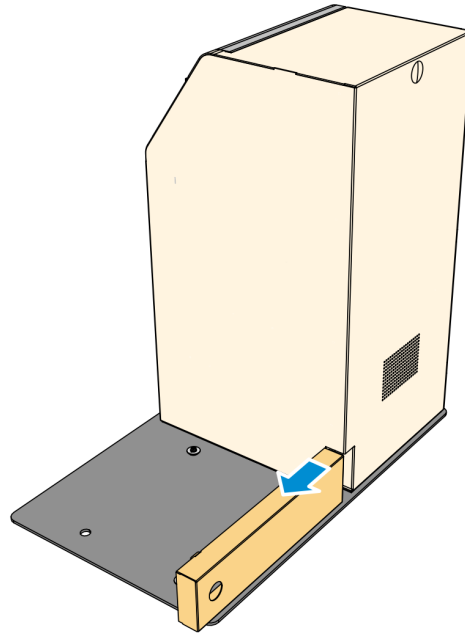
CCP-71705

- Inside the Sidecar Cabinet, remove the wing nuts (2) securing the cover to the cabinet.



CCP-72046

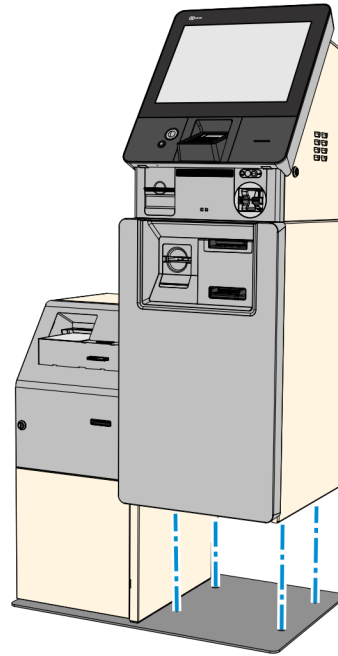
6. Slide the cable cover out of the Sidecar Cabinet.



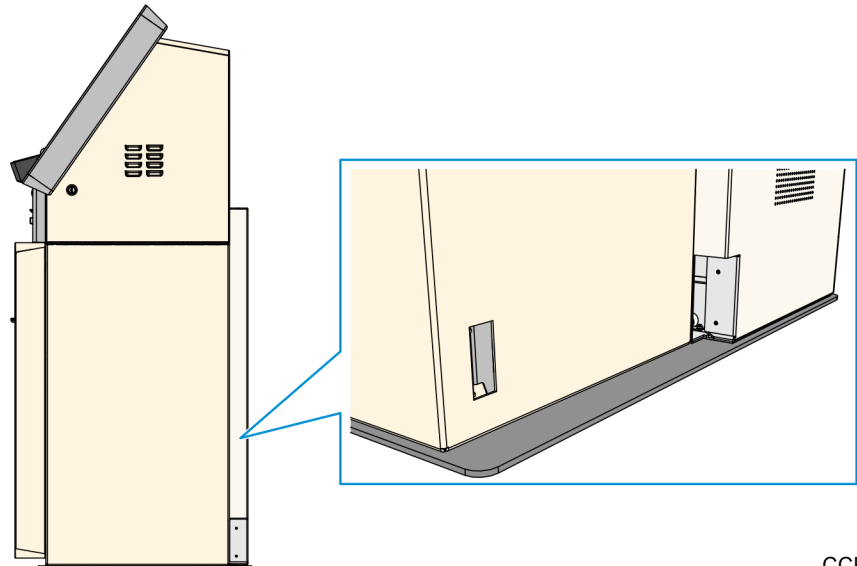
CCP-72037

Mounting the Kiosk on the Sidecar Baseplate

1. Mount the Kiosk on the Sidecar Base Plate.
 - Make sure that the Kiosk is as close as possible to the Sidecar.
 - Make sure that the back of the Kiosk aligns with the vertical edge of the Sidecar cable entry cutout.

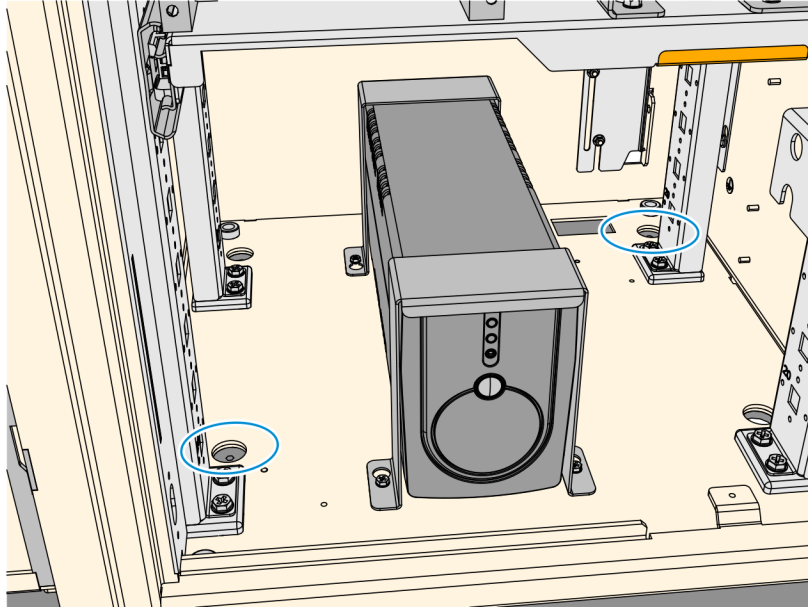


CCP-75374



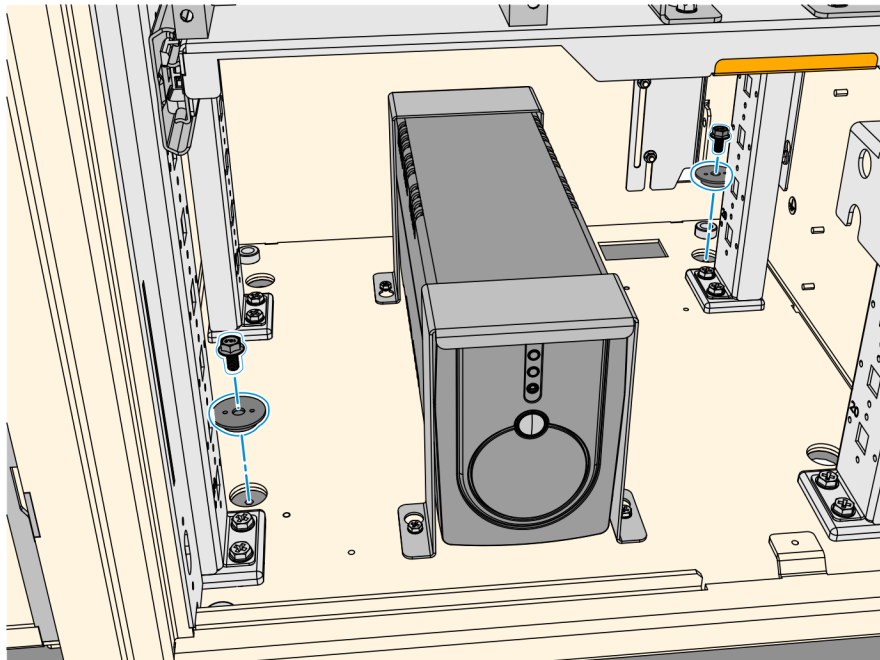
CCP-72000

2. Open the Kiosk Security Enclosure and check that the Kiosk bolt holes (2) align with the holes on the baseplate. If the holes are not aligned, adjust the Kiosk to align the holes.



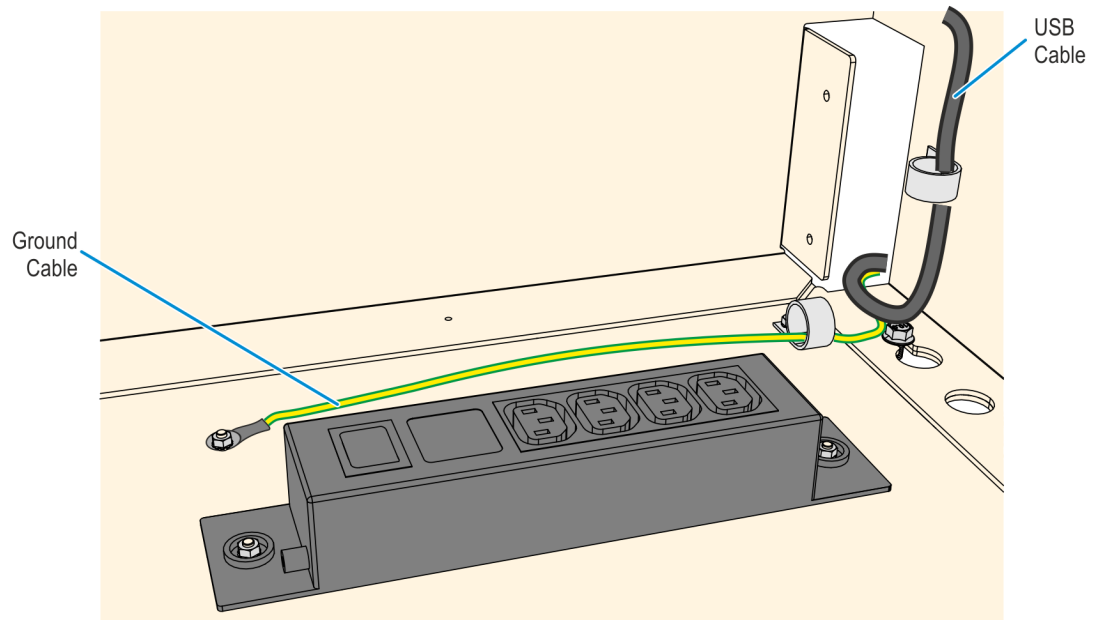
CCP-72024

3. Once the Kiosk and Baseplate holes are aligned, secure the Kiosk to the baseplate using M6x12 Cap Screws (2) and Mounting Fillers (2) through the holes on the front-left corner and rear-right corner.



CCP-72001

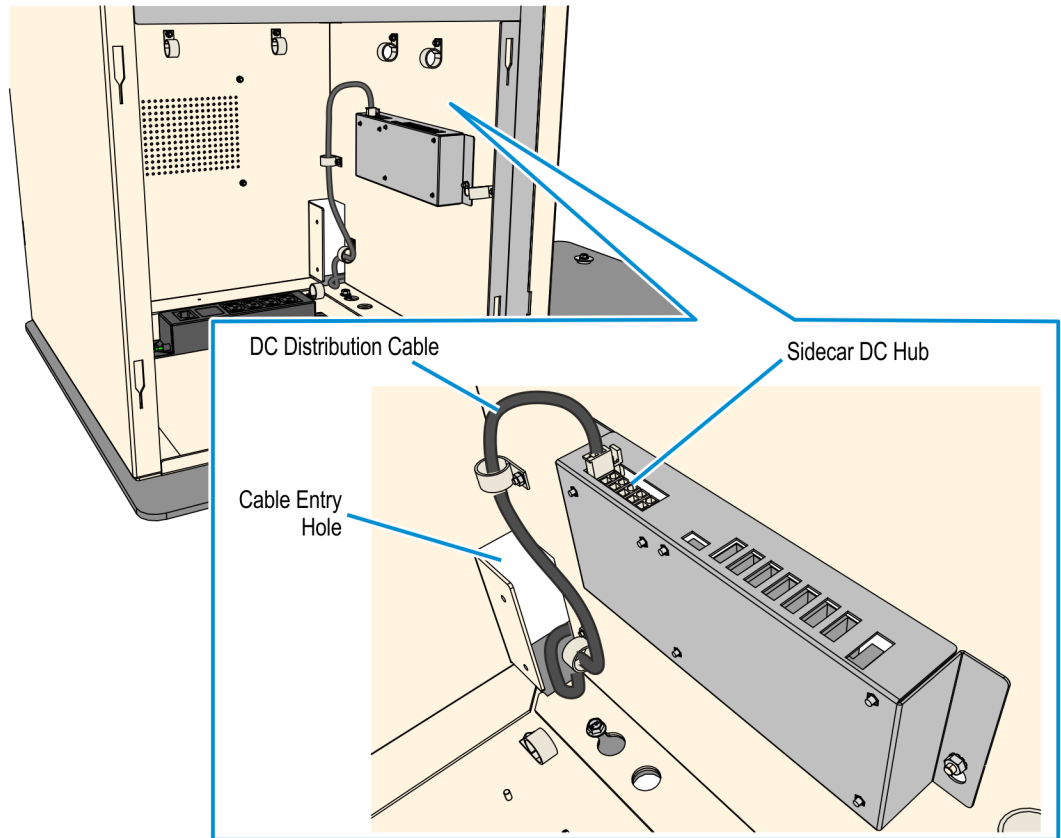
4. Inside the Sidecar, remove the tapes securing the following cables and route the cables out of the Sidecar Cabinet through the Cable Entry Hole. Secure the Cables using the P-Loop Cable Clamps along their route.
 - sidecar USB cable (009-0020710)
 - ground cable (497-0456662)



CCP-72038

Connecting the DC Distribution Cable to the Sidecar

1. Connect the 497-0520823 DC Distribution Cable to one of the Sidecar DC Hub ports.
2. Route the DC cable out of the Sidecar cabinet through the cable entry hole and secure the cable using cable clamps along its route.



Connecting AC Power Cables to the Sidecar Power Strip

There are three AC cables provided in this kit to connect the Sidecar and Main Kiosk. These are taped inside the Sidecar Cabinet. The cables that will be used depends on the presence of a UPS and the Kiosk Vac rating.

- (1 piece) 497-0474546, IEC/NEMA 6 ft Cable – used for a 110V Kiosk with UPS
- (2 pieces) 497-0415086, IEC AC 4 ft Cable – one cable is used for a 220V Kiosk with UPS. Both cables are used for a Kiosk without a UPS.

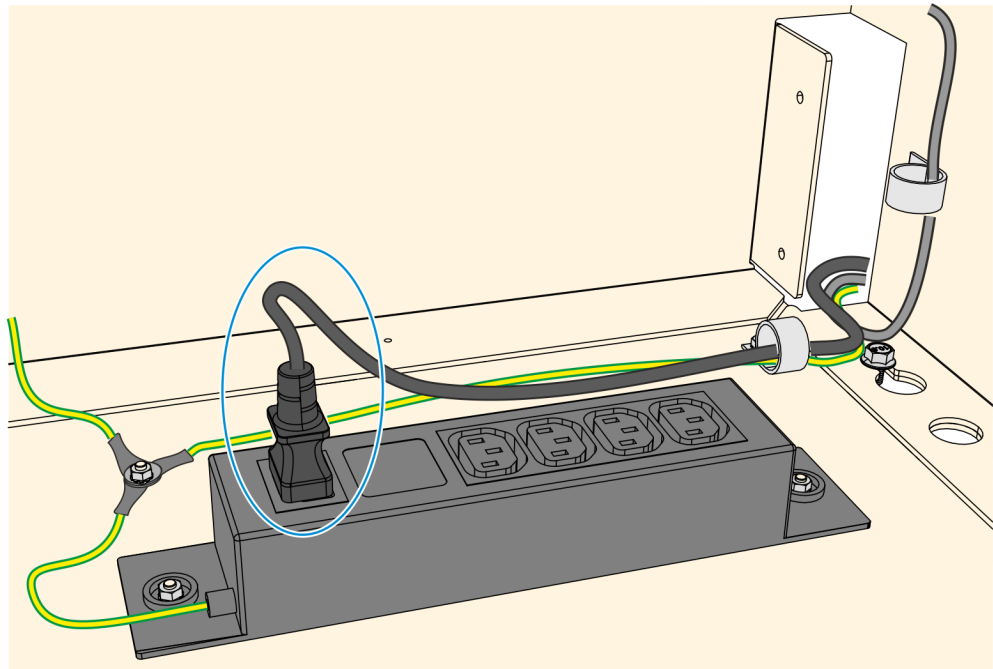
Refer to the sections below as appropriate for your Kiosk configuration.

- [110V Kiosk with UPS](#)
- [220V Kiosk with UPS](#)
- [Kiosk without UPS](#)

110V Kiosk with UPS

A 110V Kiosk with UPS uses the 497-0474546 IEC/NEMA cable included in this kit.

1. Connect the 497-0474546 IEC/NEMA cable to the Power Strip Inlet.
2. Route the cable out of the Sidecar cabinet through the cable entry hole.
3. Secure the cable using the P-Loop cable clamp along its route.

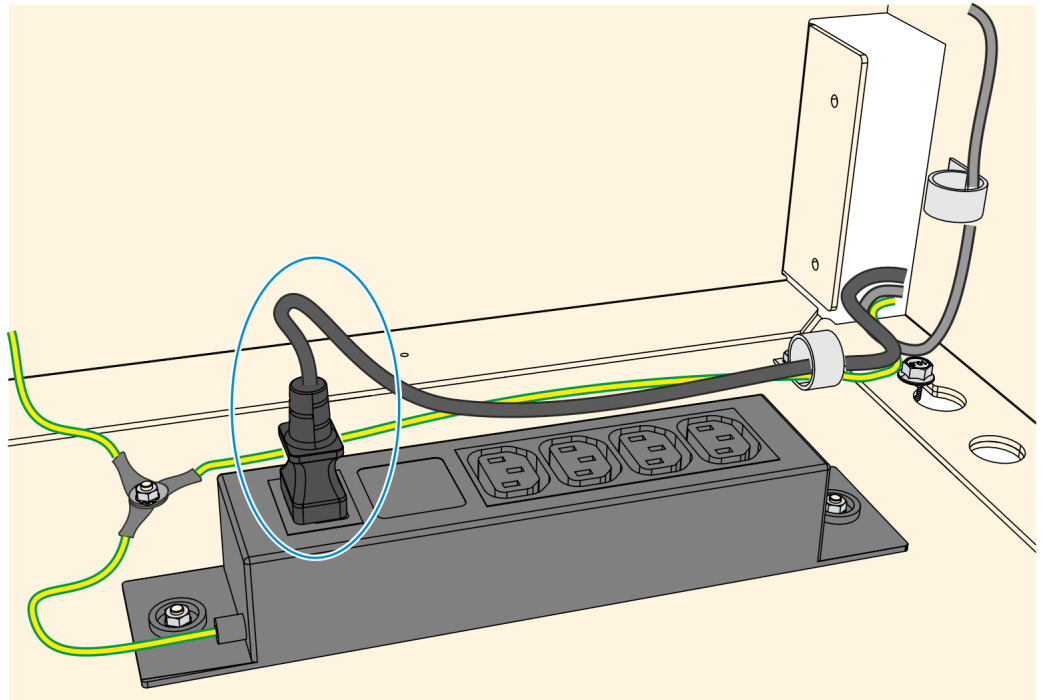


CCP-72028

220V Kiosk with UPS

A 220V Kiosk with UPS uses one of the 497-0415086 IEC cables included in this kit.

1. Connect the 497-0415086 IEC cable to the Power Strip Inlet.
2. Route the cable out of the Sidecar cabinet through the cable entry hole.
3. Secure the cable using the P-Loop cable clamp along its route.

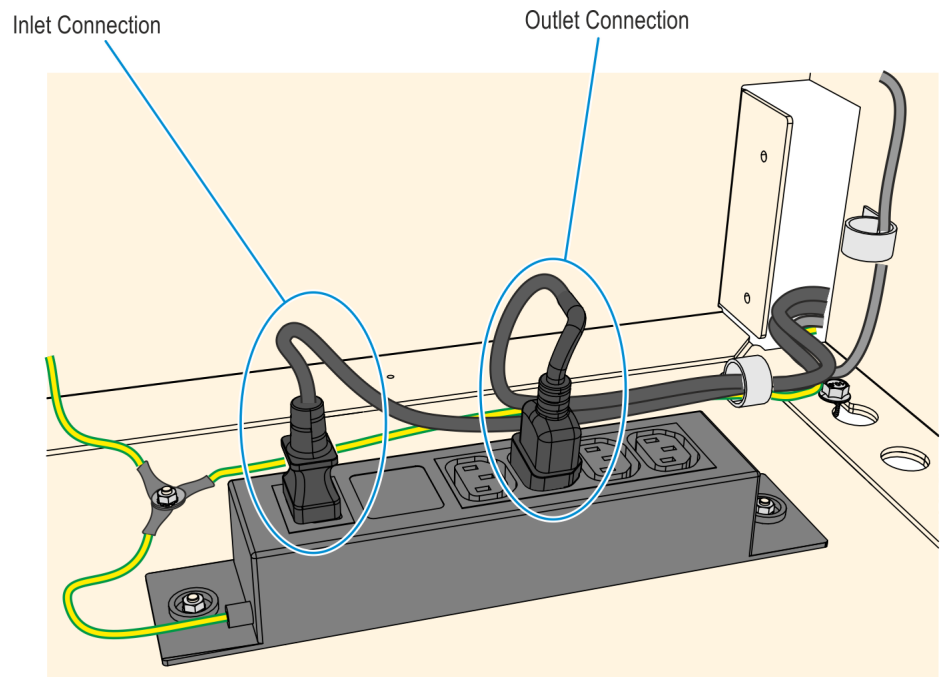


CCP-72028

Kiosk without UPS

A Kiosk without UPS configuration uses the two 497-0415086 IEC cables provided in this kit.

1. Connect one of the 497-0415086 IEC cable to the Power Strip inlet.
2. Connect the second 497-0415086 IEC cable to one of the Power Strip outlets.
3. Route the cables out of the Sidecar cabinet through the cable entry hole.
4. Secure the cables using the P-Loop cable clamp along their route.

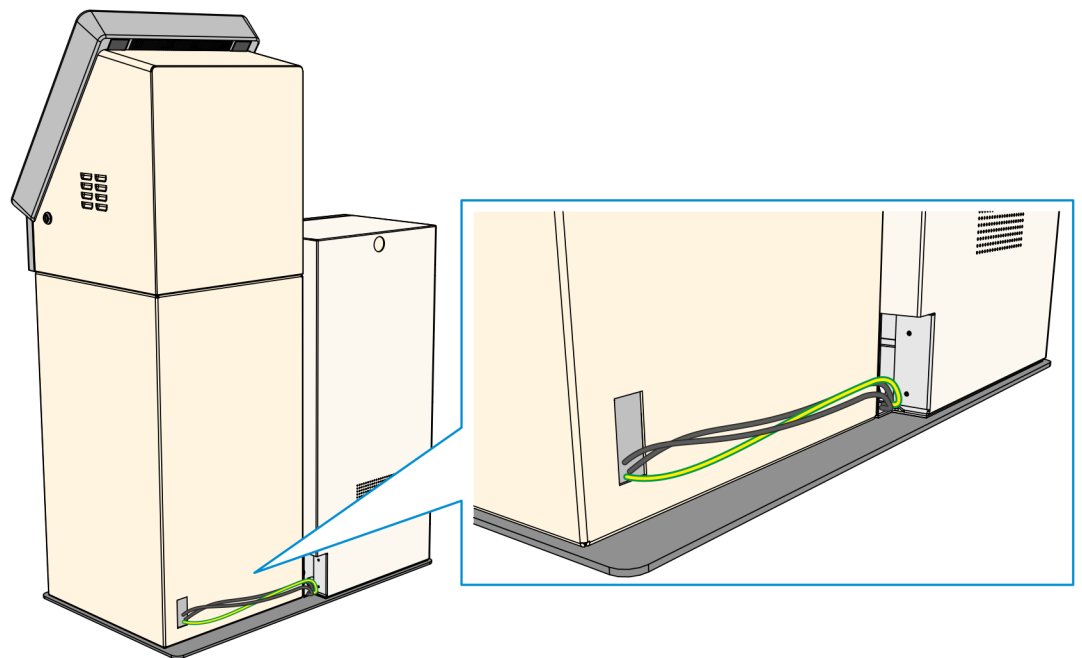


Routing the Sidecar Cables into the Main Kiosk

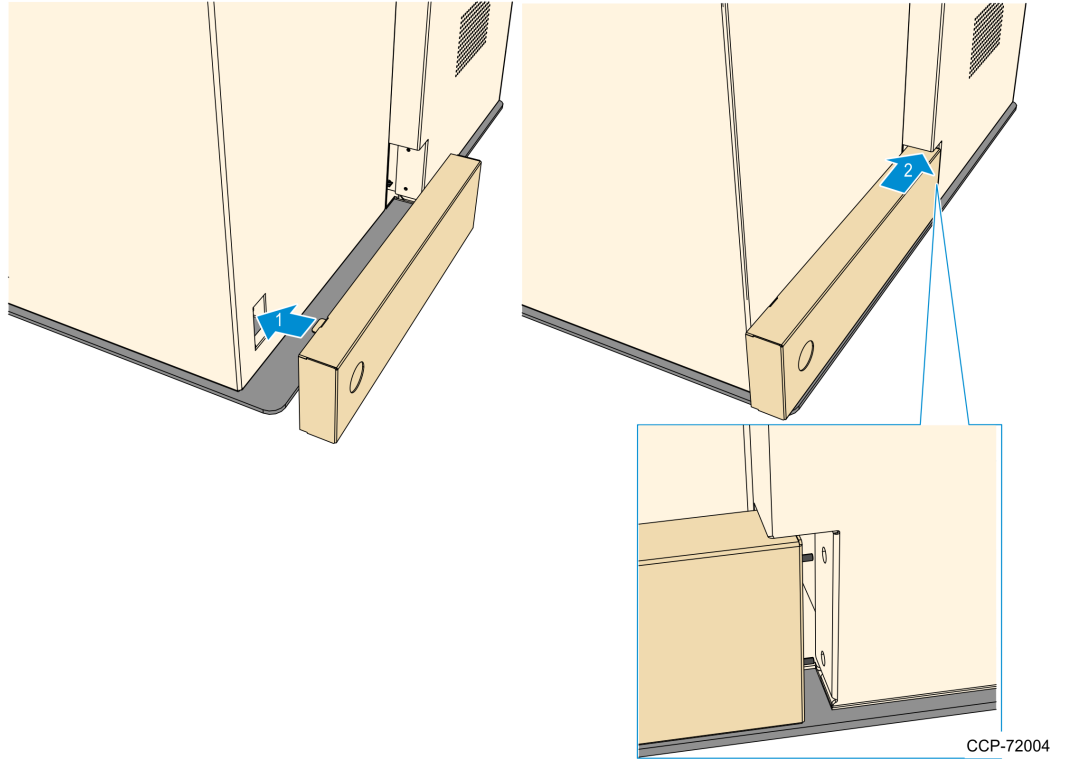
1. Route the following cables from the Sidecar into the Kiosk Cabinet through the cable entry hole:
 - sidecar USB cable (009-0020710)
 - ground cable (497-0456662)
 - AC power cable (497-0415086 or 497-0474546)



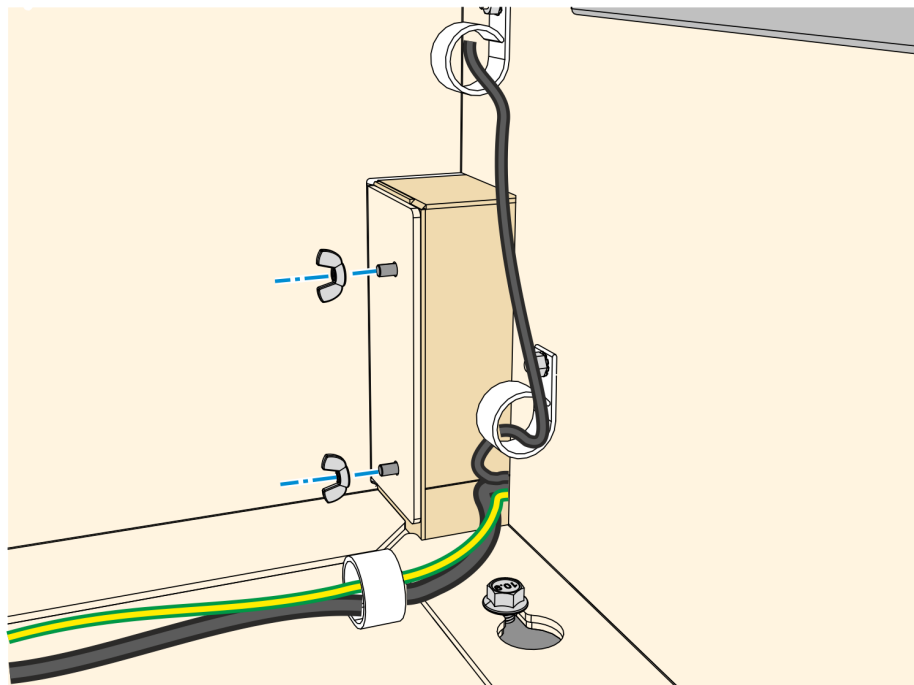
Note: If there is no UPS in the Kiosk, there are two 497-0415086 cables from the Sidecar, one connected to the Power Strip Inlet and the other connected to the Power Strip Outlet.



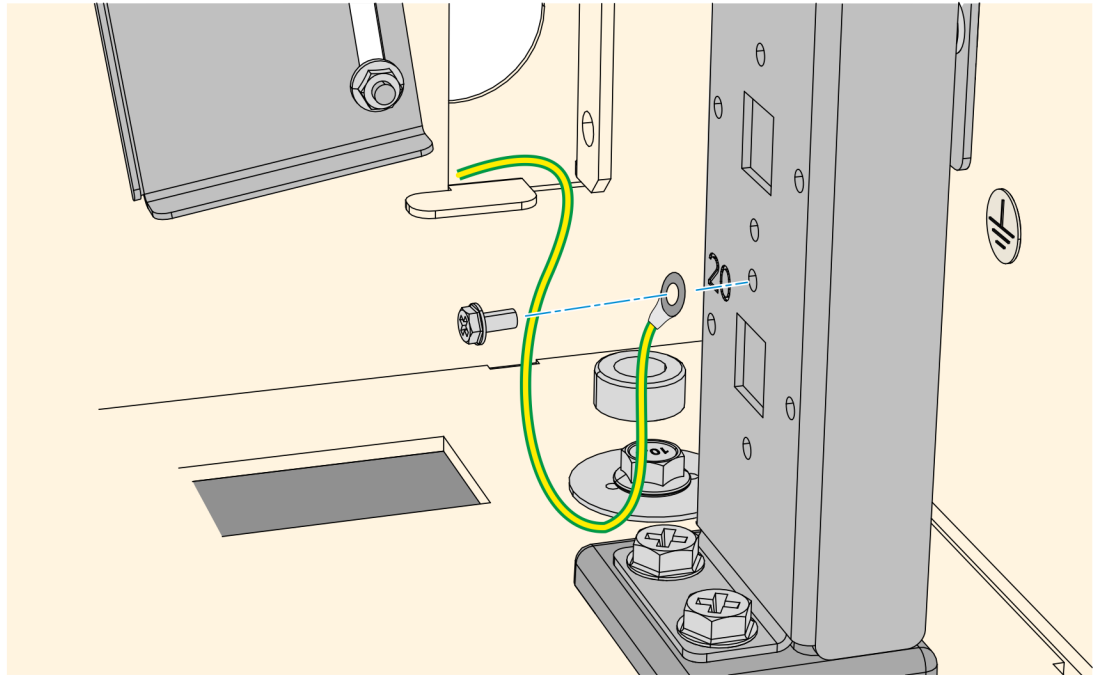
2. Mount and secure the cable cover to the Kiosk and Sidecar.
 - a. Insert the Cable Cover hooks into the Kiosk Cable Entry hole, and then slide the cover into the Sidecar.



- b. Inside the Sidecar, secure the Cable Cover with wing nuts (2).

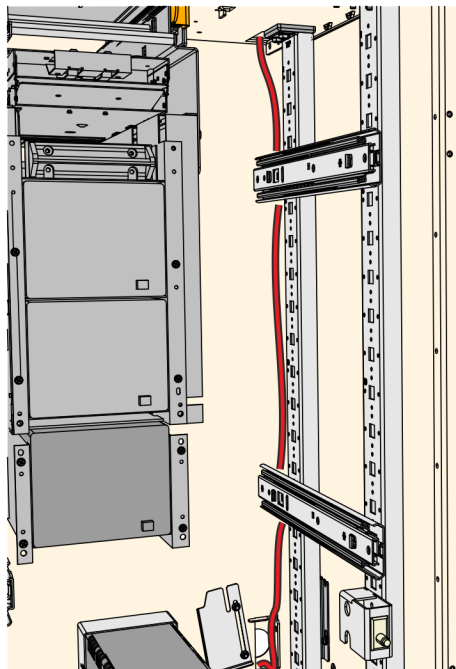


3. Inside the Kiosk Security Enclosure, secure the Sidecar Ground cable to the rear-right Vertical Metal frame using a screw (1).



CCP-72006

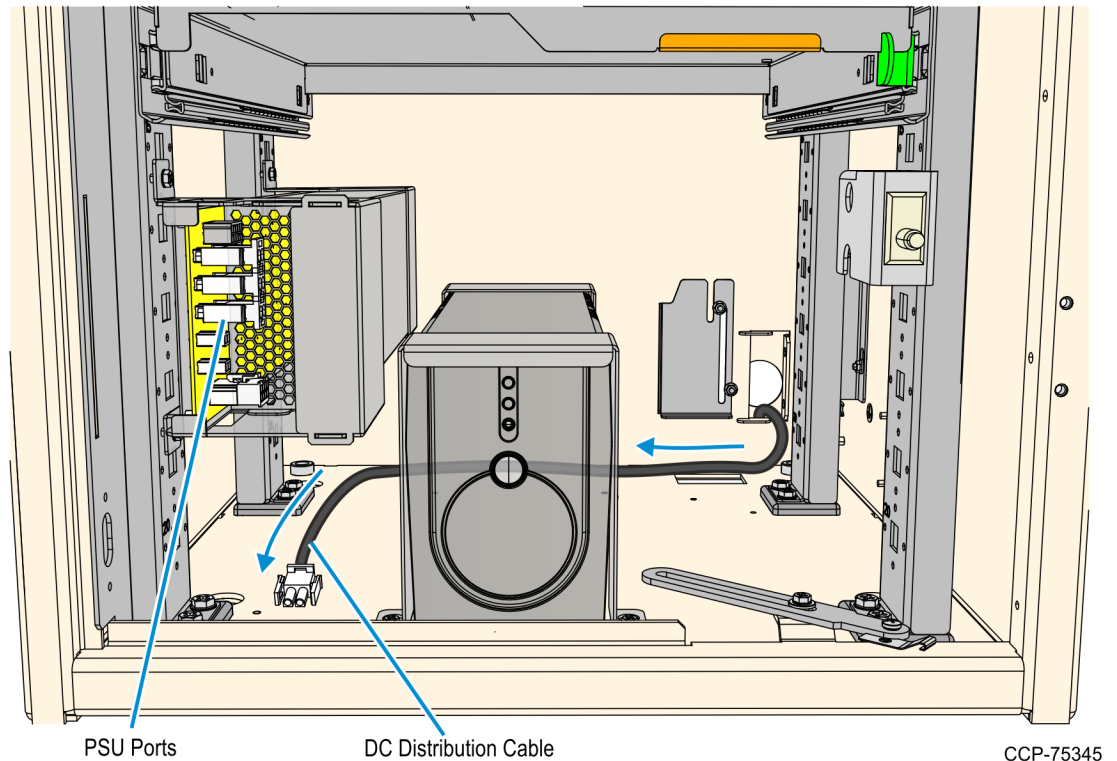
4. Route the Sidecar USB cable upward towards the Top Box I/O Panel.



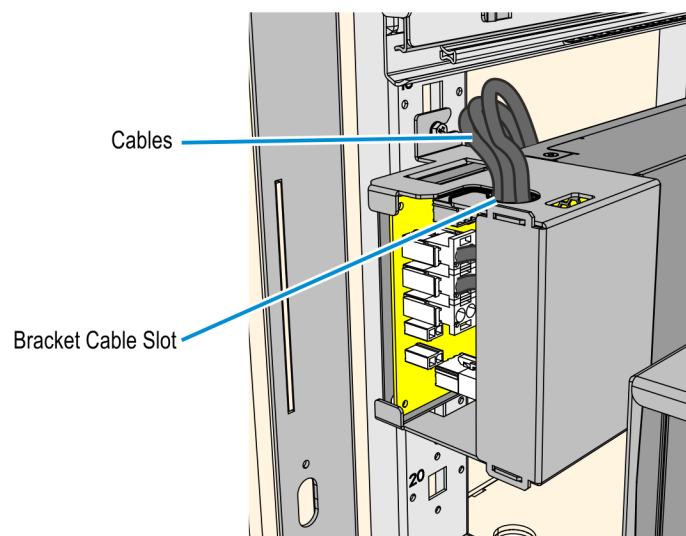
CCP-72007

Connecting the DC Distribution Cable to the Power Supply

1. From the Safe Cable Entry Hole, route the DC Distribution cable to the PSU Ports on the front left-hand side of the Safe.

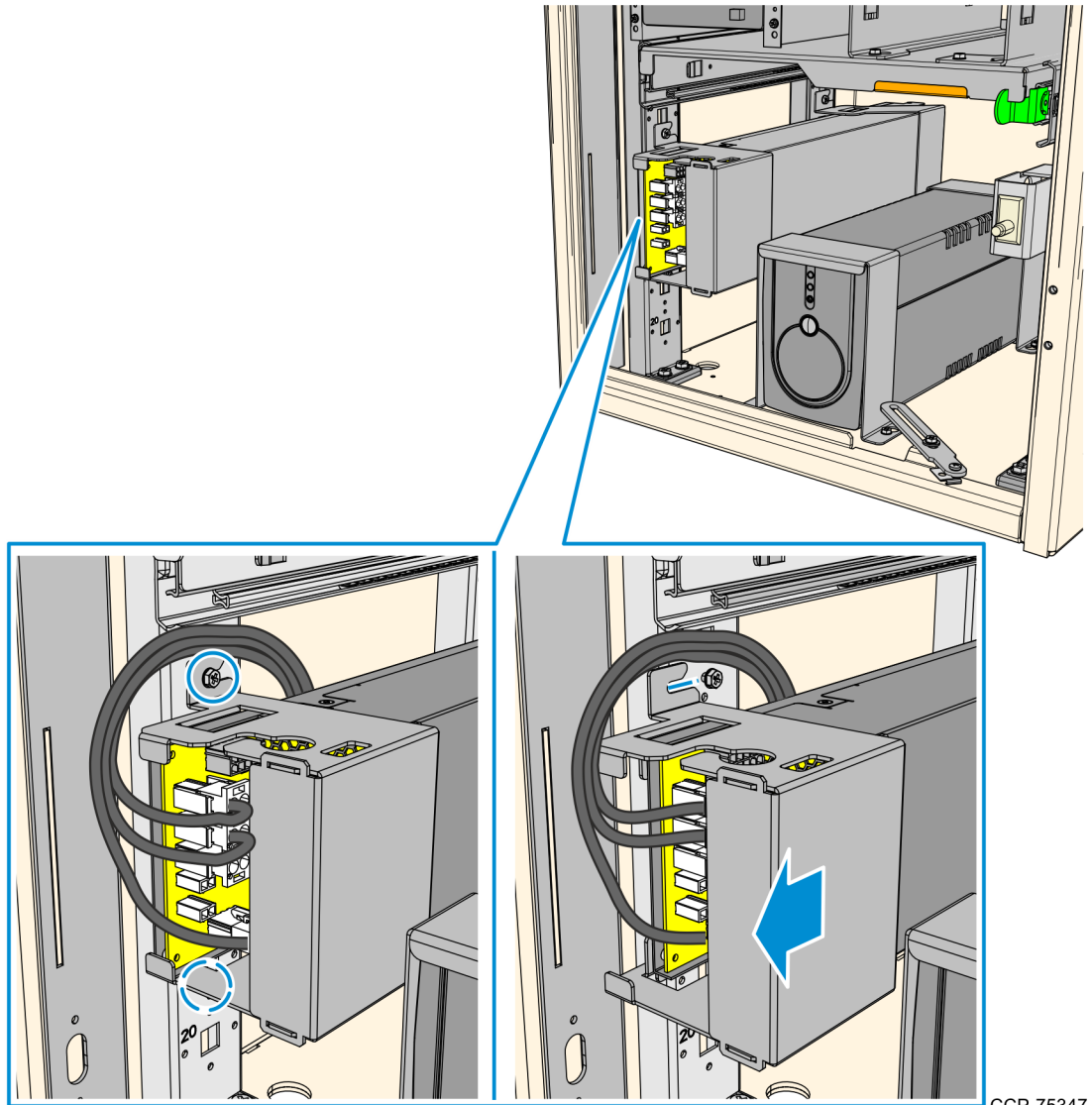


2. Remove the PSU Bracket.
 - a. Remove the DC cables from the round slot of the PSU Bracket.

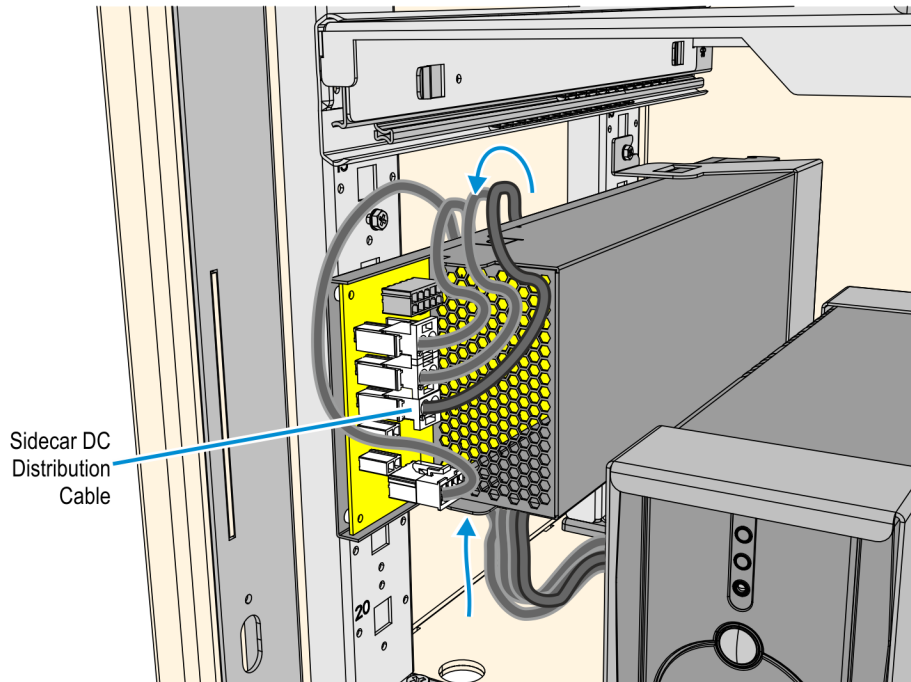


- b. Loosen the two screws securing the PSU Bracket.

- c. Carefully slide the bracket forward until clear from the screws and then remove the bracket. Ensure that the cables do not block and do not get pinched when removing the bracket.

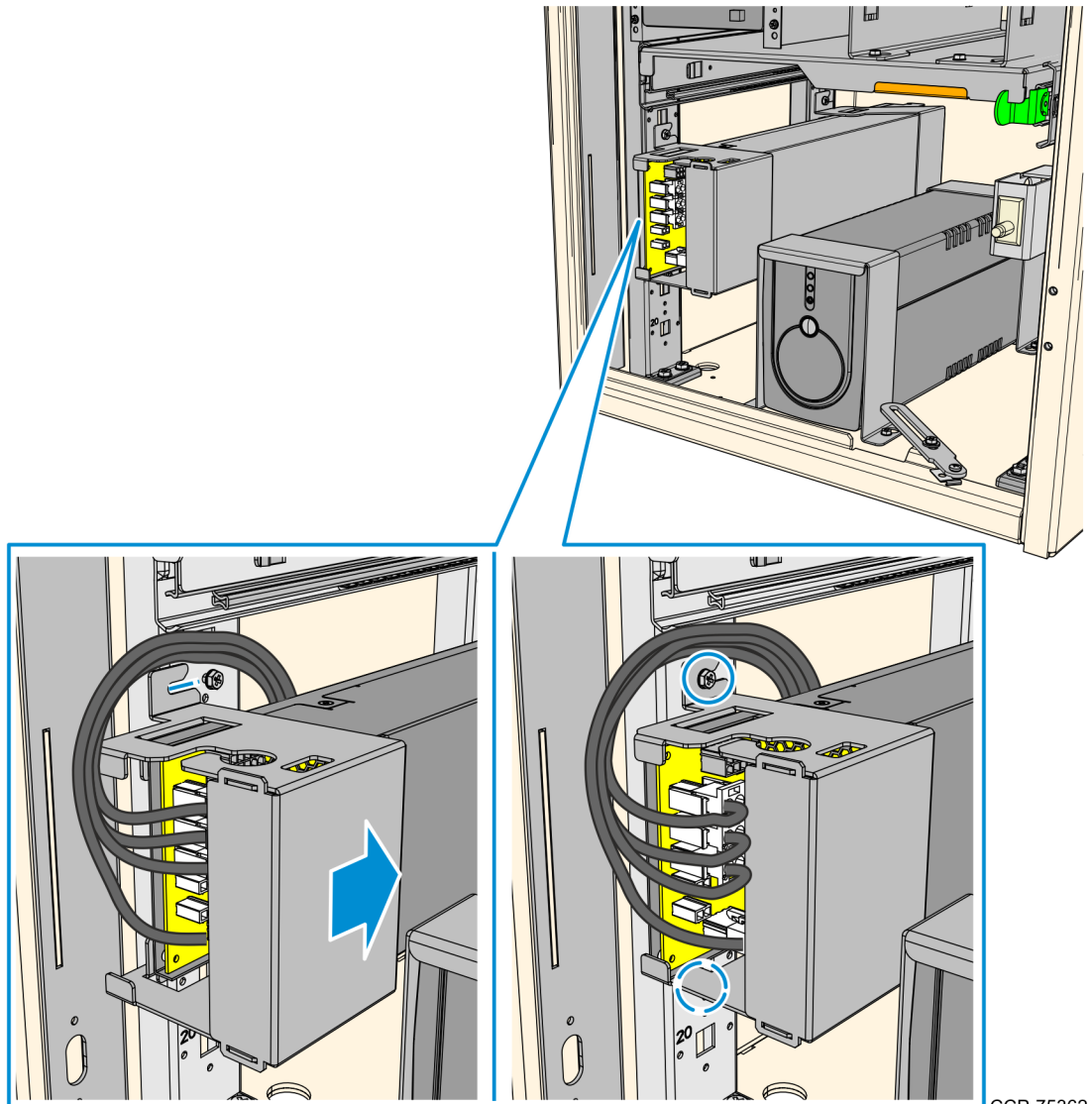


3. Connect the Sidecar DC Distribution Cable to one of the 2-pin ports of the PSU. From the bottom of the safe, route the cable upward behind the PSU and then loop the cable toward the PSU port.



CCP-75348

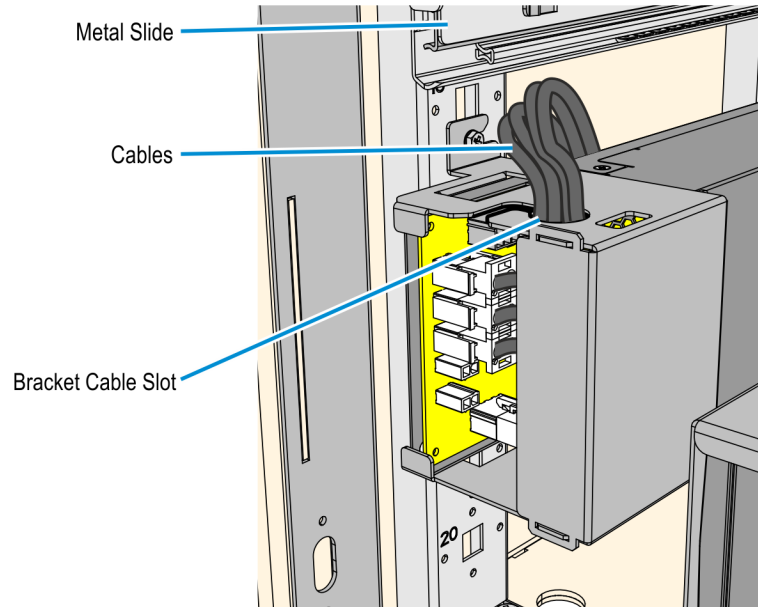
4. Align the PSU Bracket to the PSU and then insert the bracket to the partially mounted screws.
 - Ensure that the cables are not pinched and are not blocking the bracket during insertion.
 - Ensure that the PSU sits within the bracket stoppers for proper mounting position.



5. To secure the cables, insert the cables into the round slot of the bracket.



Note: Ensure that the cables do not obstruct the Metal Slide when pulling the Cash Acceptor tray in and out. If necessary, insert the cable loops behind the Metal Slide.



Connecting the Sidecar AC Power Cables to the Main Kiosk

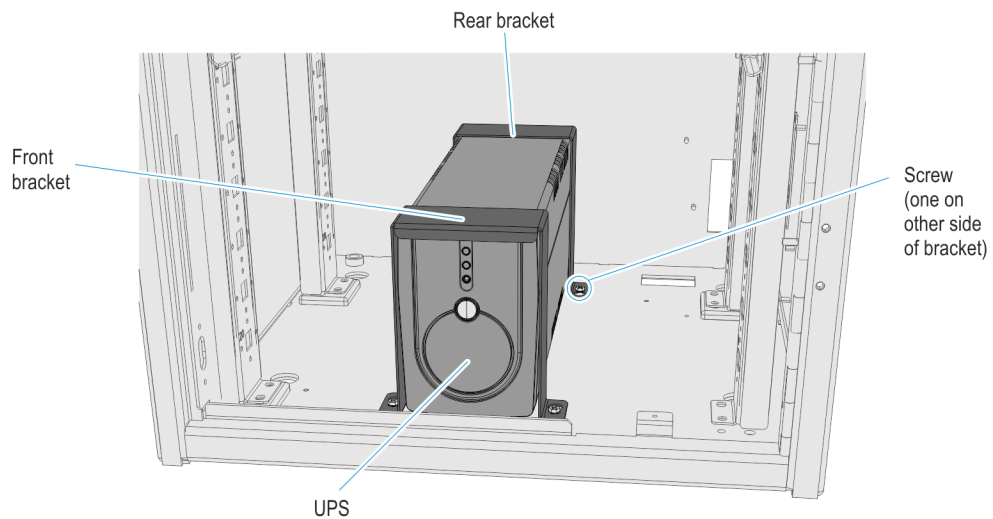
The Sidecar AC Power Cable connection to the main Kiosk differs according to the presence of an UPS. Refer to the appropriate procedure below to connect the AC power cables.

- [Kiosk with UPS](#)
- [Kiosk without UPS](#)

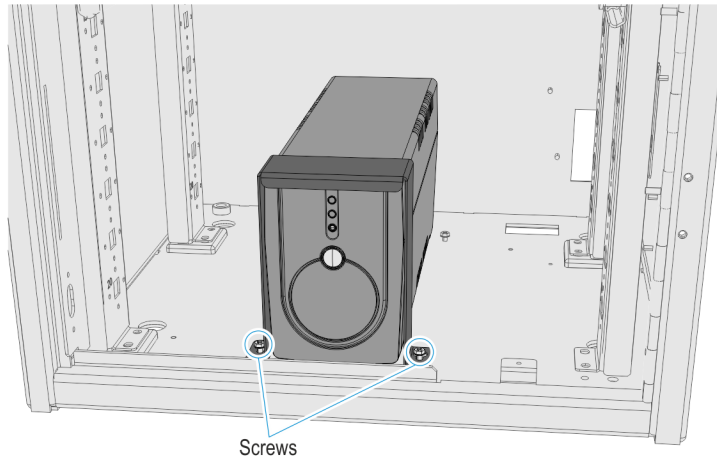
Kiosk with UPS

The cable used to deliver power to the Sidecar Power Strip differs according to the UPS rating:

- 110V UPS – uses the 497-0474546 AC Cable included in this kit
 - 220V UPS – uses one of the 497-0415086 AC Cable included in this kit
1. Loosen the screws (2) securing the UPS rear bracket to the safe and then remove the bracket.

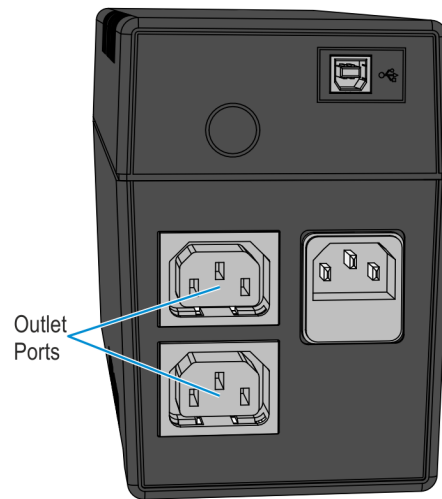


- Loosen the two screws securing the UPS front bracket to the safe and then remove the bracket.



CCP-68039

- Connect the AC power cable from the Sidecar to the vacant Outlet Port on the UPS.



220V UPS



110V UPS

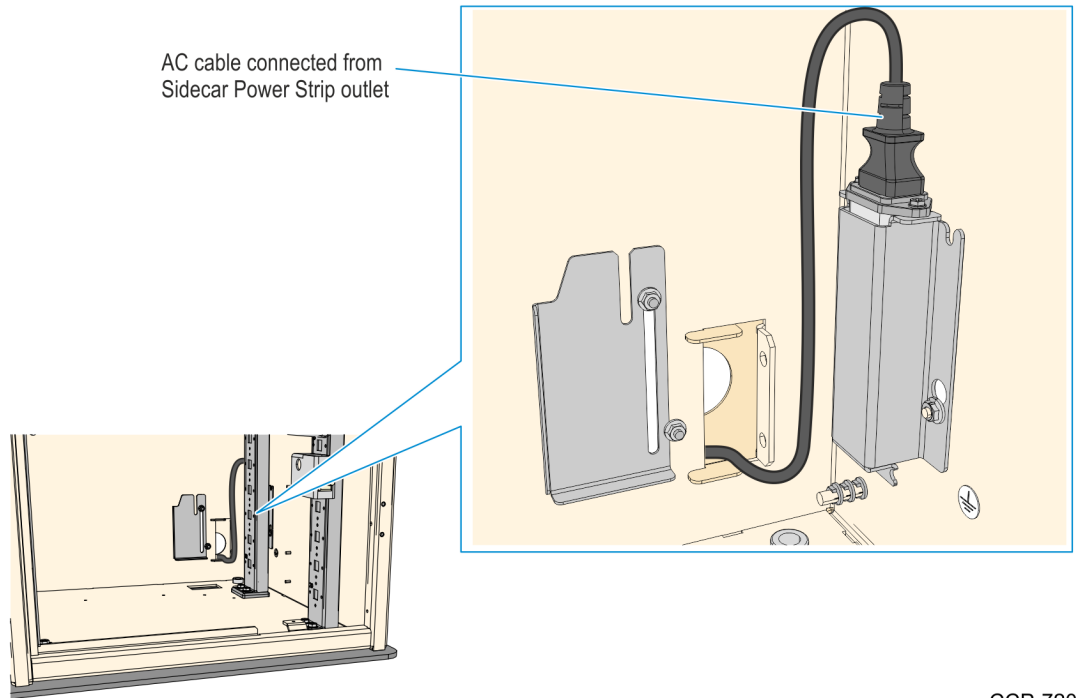
CCP-72030

- Mount the UPS brackets on the UPS, and then tighten the screws (2 on each bracket) to secure the UPS.

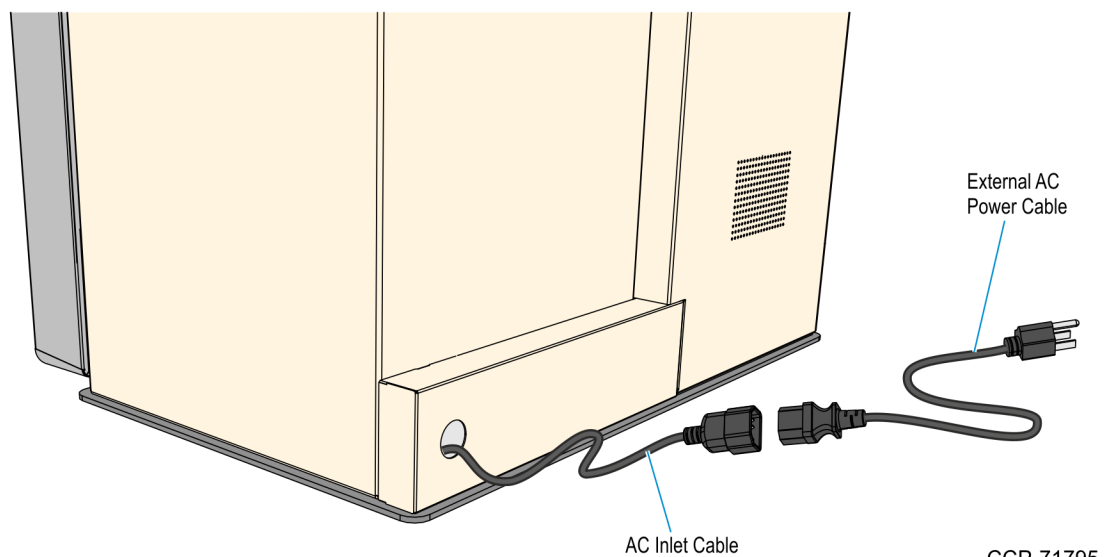
Kiosk without UPS

There are two AC Cables (497-0415086) from the Sidecar, one connected to the Power Strip inlet and one to the Power Strip outlet.

1. Connect the AC cable from the Power Strip outlet to the Kiosk AC filter.



2. Route the 497-0415086 AC cable from the Power Strip inlet out of the Kiosk through the cable entry hole.
3. Connect the External AC Power Cable to the receptacle of the 497-0415086 AC Cable.

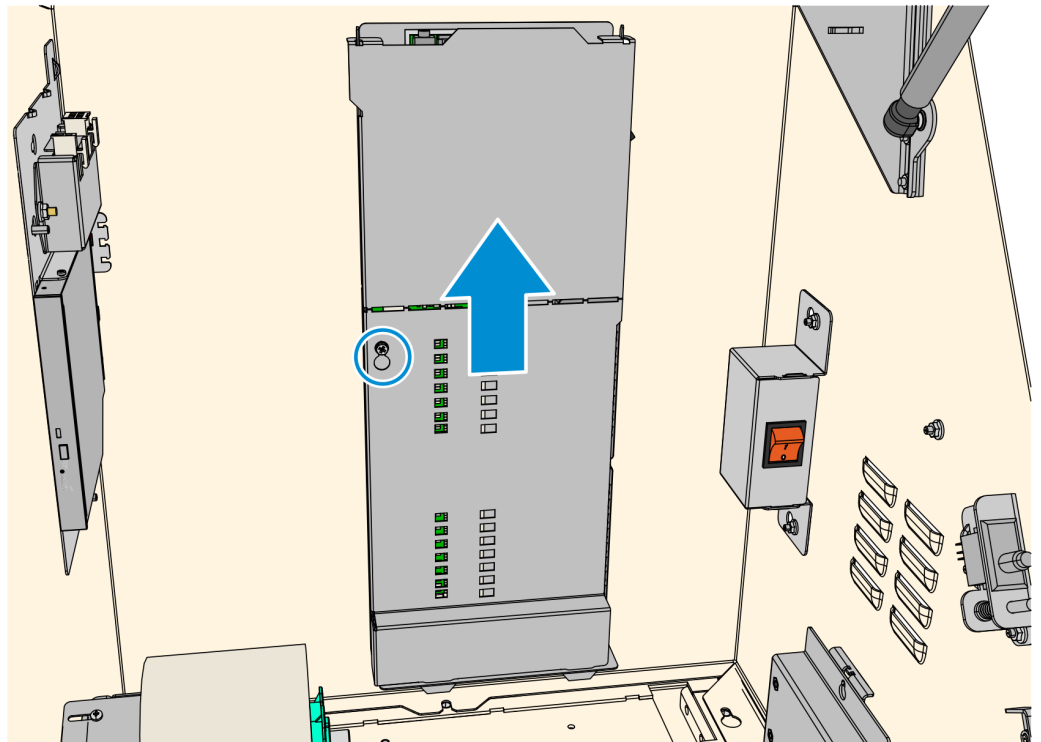


Installing the USB Hub and Cable Strain Relief



Caution: Static Electricity Discharge may permanently damage your system. Discharge any static electricity build up in your body by touching the metal cabinet of the Kiosk for a few seconds. Avoid any contact with internal parts and handle cards only by their external edges.

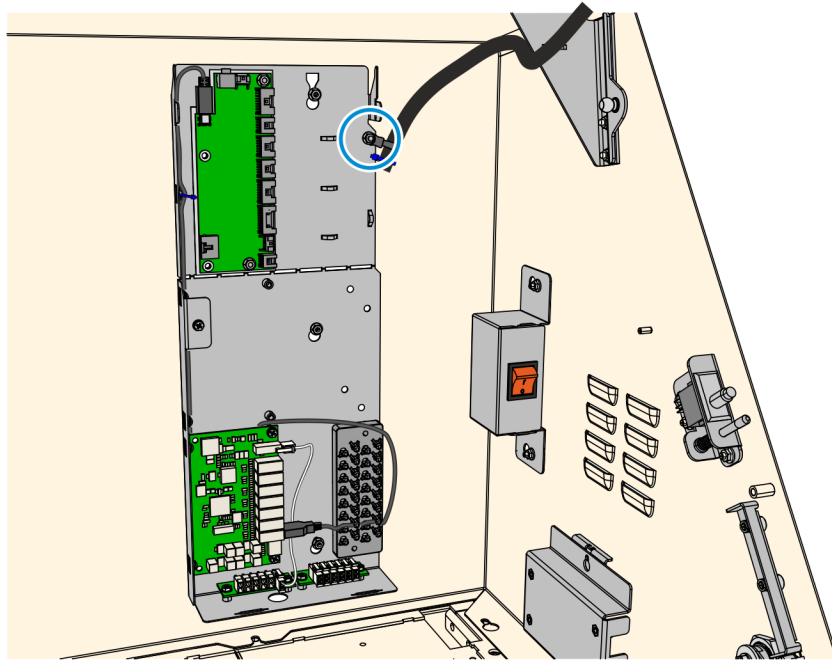
1. Remove the Top Box I/O Panel Cover.
 - a. Loosen the screw that secures the I/O Panel Cover.
 - b. Slide the I/O Panel Cover upwards to remove the cover.



CCP-75365

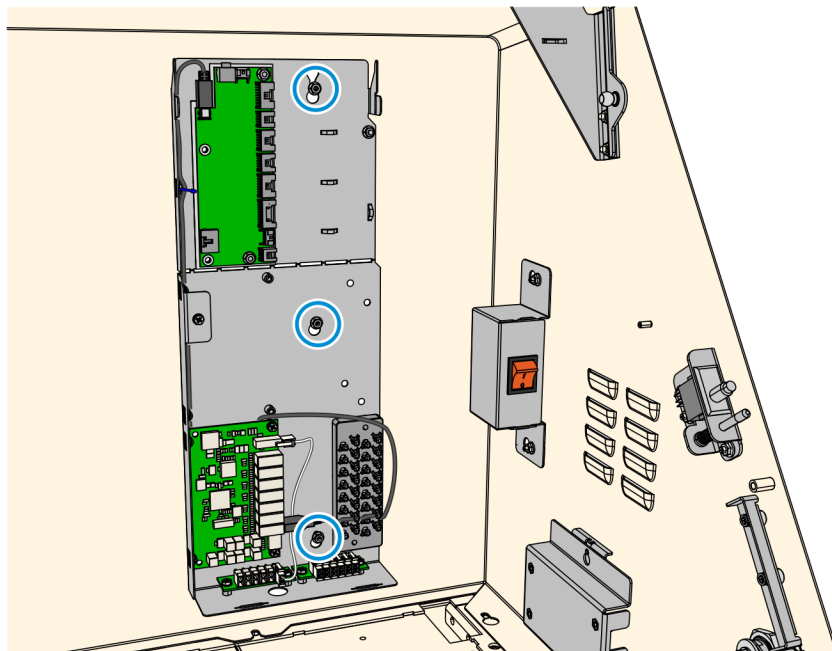
2. Take note of all the connections of the USB Hub and DC Hubs in the I/O Panel. Remove the cable connections and cut off cable ties securing cables to the I/O Panel as necessary.

3. Remove the nut (1) securing the Fascia Harness to the I/O Panel.



CCP-75367

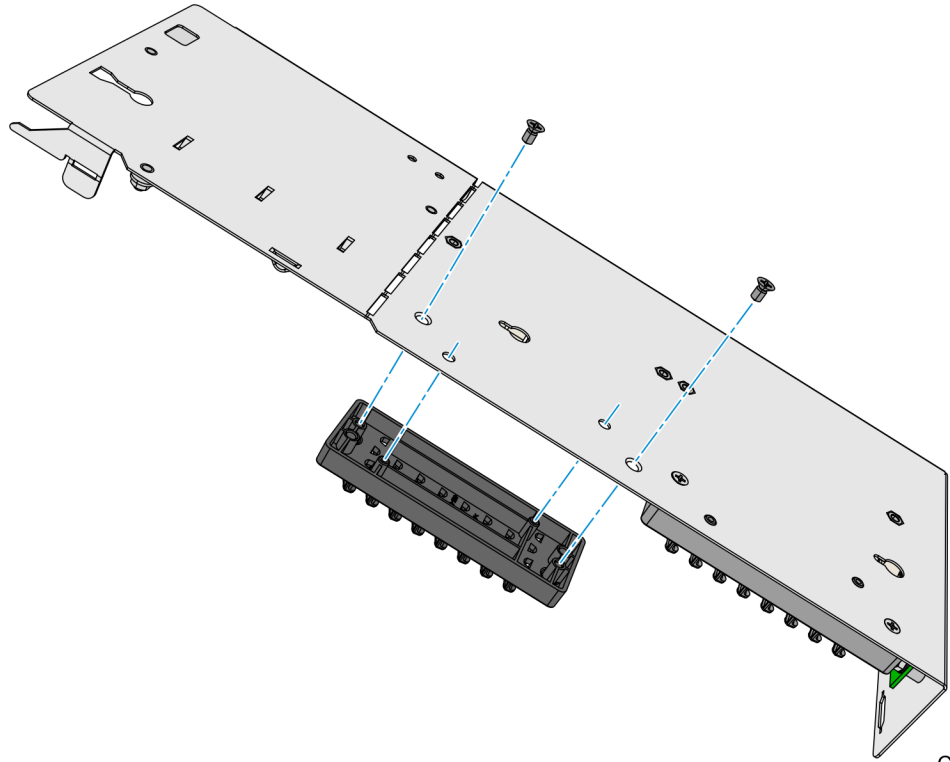
4. Loosen the nuts (3) securing the I/O Panel to the cabinet.



CCP-75368

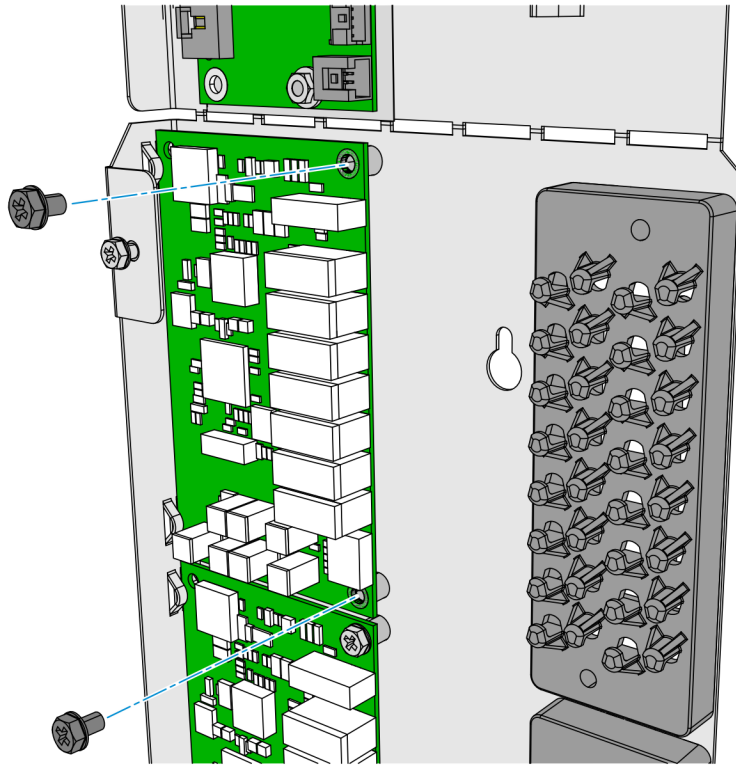
5. Slide the I/O Panel assembly upward and pull it away from the cabinet.

6. Mount the Cable Strain Relief to the I/O Panel and secure it using screws (2) on the rear side of the panel.



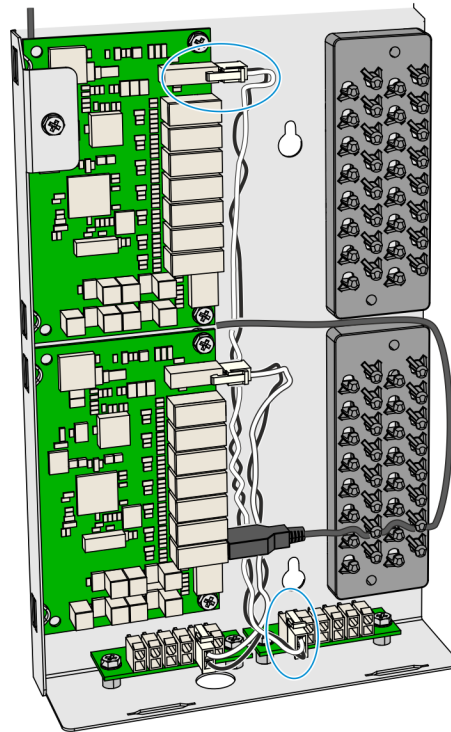
CCP-72010

7. Install the 2nd Top Box USB Hub above the existing USB Hub in the I/O Panel.
 - a. Insert the left edge of the board between the bridge lances on the left-hand side and align the mounting holes on the right-hand side.
 - b. Secure the USB Hub to the I/O Panel with screws (2) on the right-hand side.



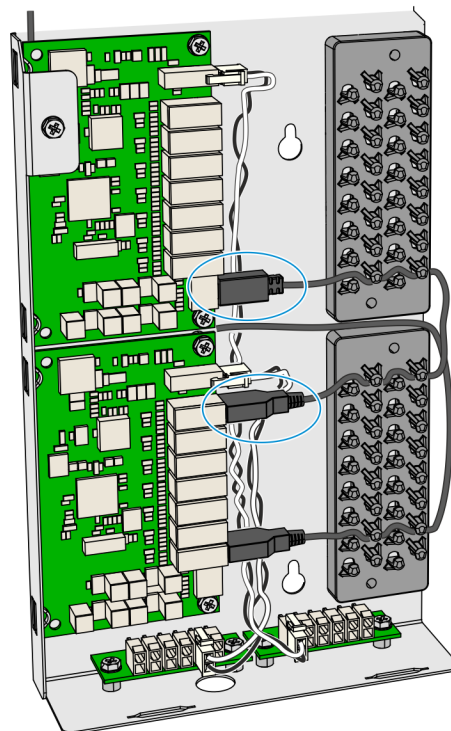
CCP-72011

8. Connect the DC Distribution Cable (009-0020734) included in this kit to the Top USB Hub and to the right-hand DC Hub.



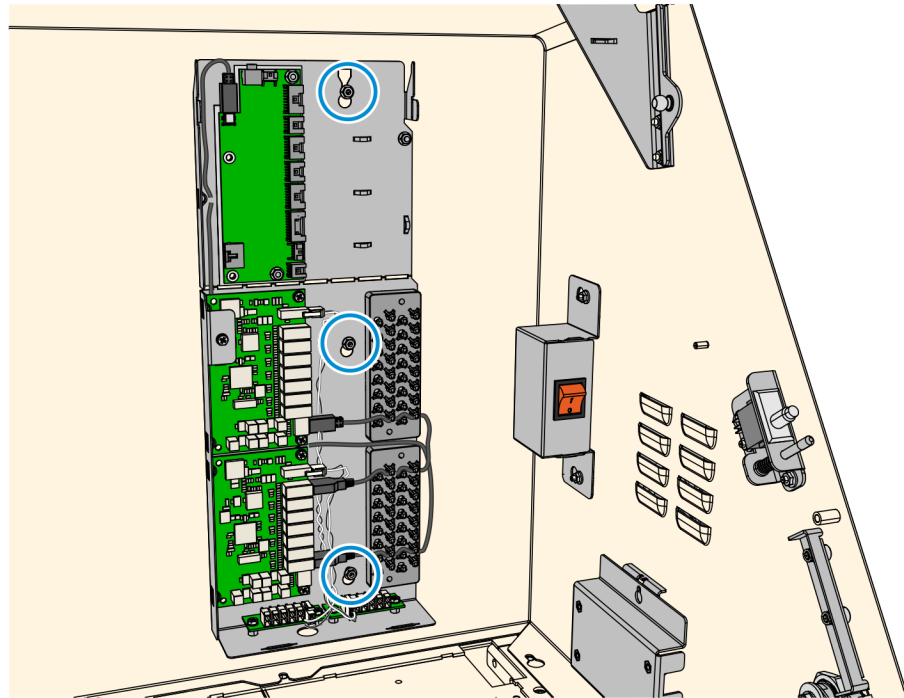
CCP-72015

9. Connect the Mini B connector of the USB A to Mini B cable (009-0020700) included in this kit to the top USB Hub then connect the A connector to the bottom USB Hub. Use the strain relief to secure the cable.



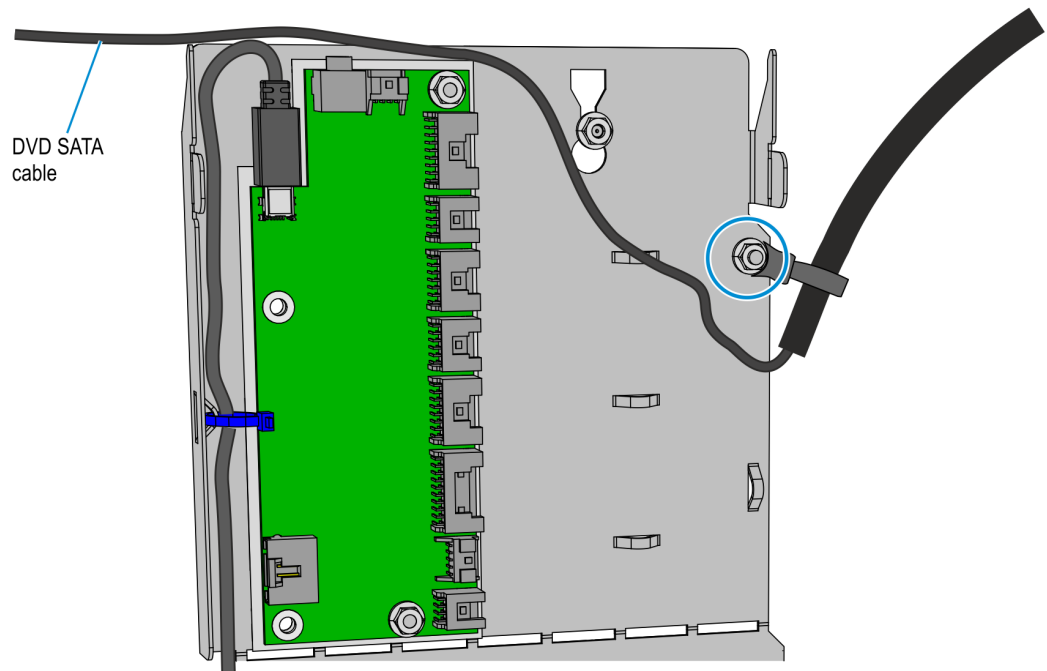
CCP-72014

10. Mount the I/O Panel assembly back to the cabinet and tighten the nuts (3) to secure the panel.



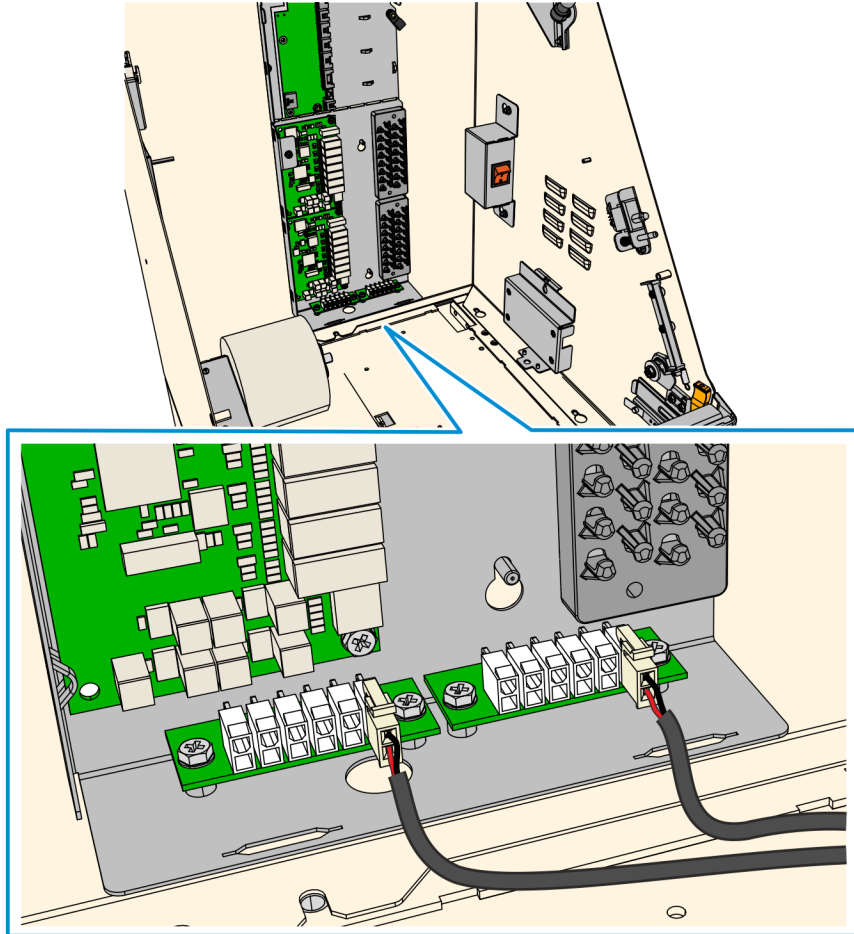
CCP-75369

11. Secure the Fascia harness to the I/O Panel using a nut and route the DVD SATA cable over the MIDI MISC I/F board.



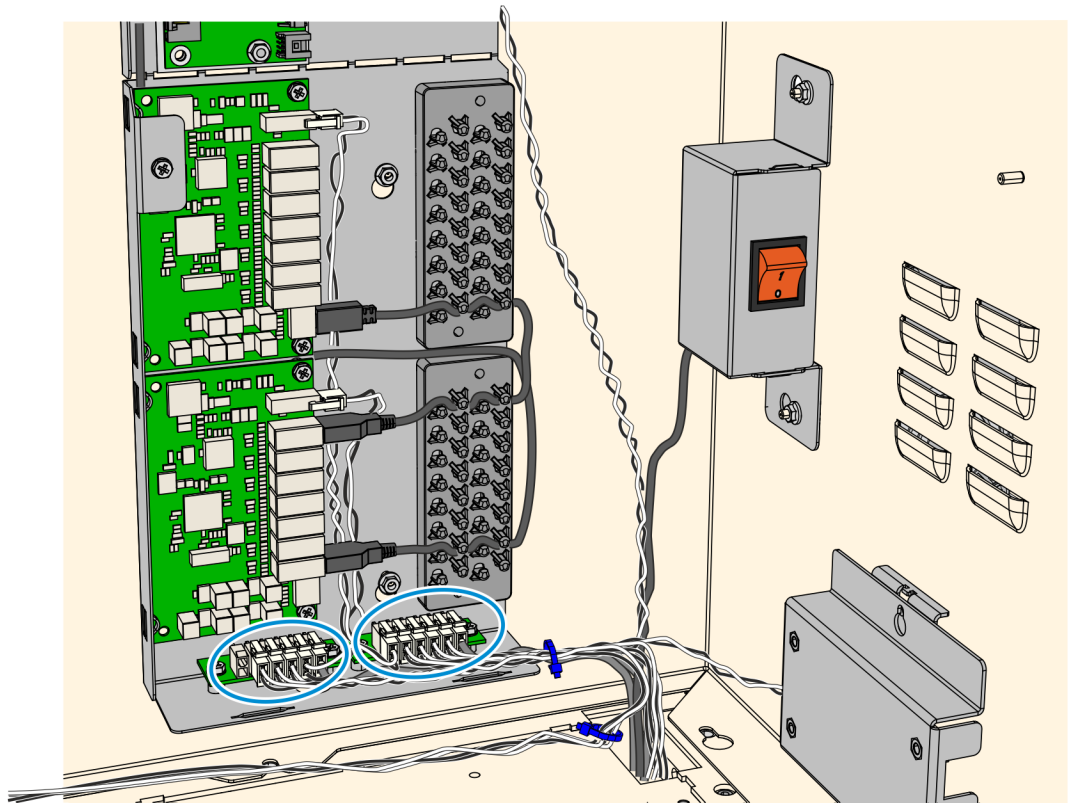
CCP-72016

12. Connect the DC Distribution Cables to the MINI DC Hubs in the I/O Panel.
 - a. Connect a DC Distribution Cable (1) from the 24V PSU to one of the DC Hubs.
 - b. Connect the second DC Distribution Cable (1) from the 24V PSU to the other DC Hub.



CCP-75317

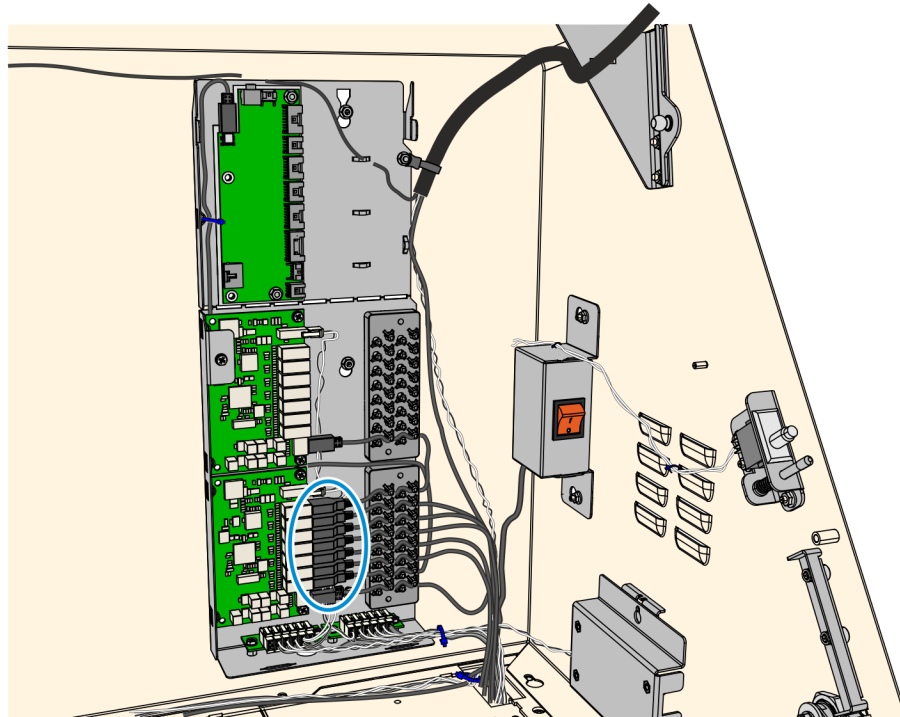
- c. Connect the following DC Cables to the left-hand DC Hub:
 - 12V Regulator if present
 - 5V Regulator
 - Cash Dispenser
- d. Connect the following DC cables to the right-hand DC Hub:
 - Note Acceptor
 - Check Acceptor
 - Receipt Printer
 - Fascia Mini DC Hub
- e. Bundle the DC cables and secure them with a cable tie.



CCP-75370

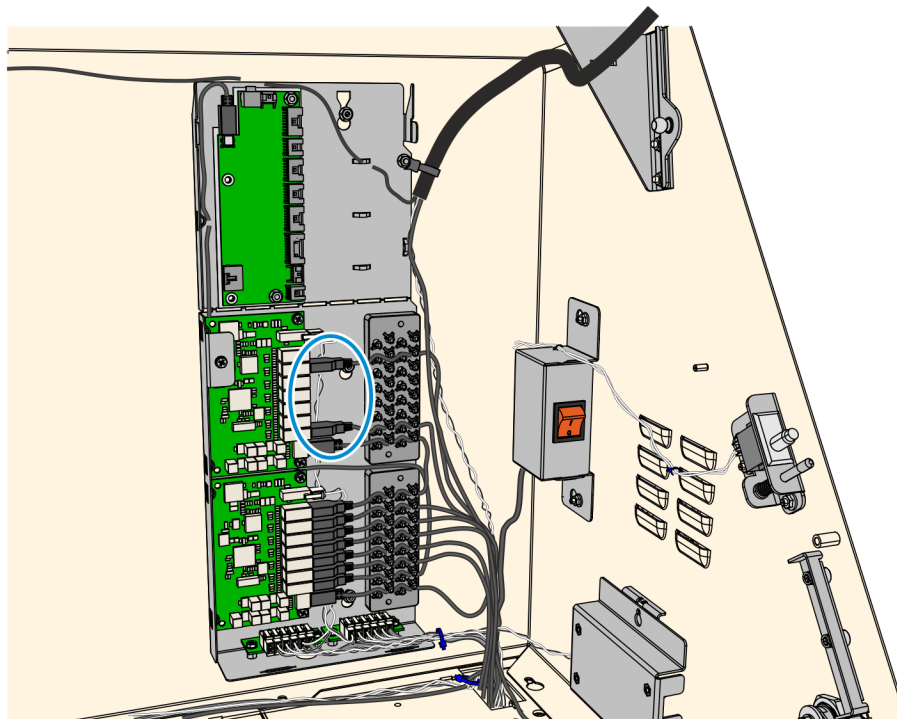
13. Connect the following USB Cables to the bottom USB HUB, use the cable strain relief to secure the cables:

- EBox Mini -B USB
- Fujitsu F53 Dispenser
- Receipt Printer
- Check Acceptor
- UPS



CCP-75371

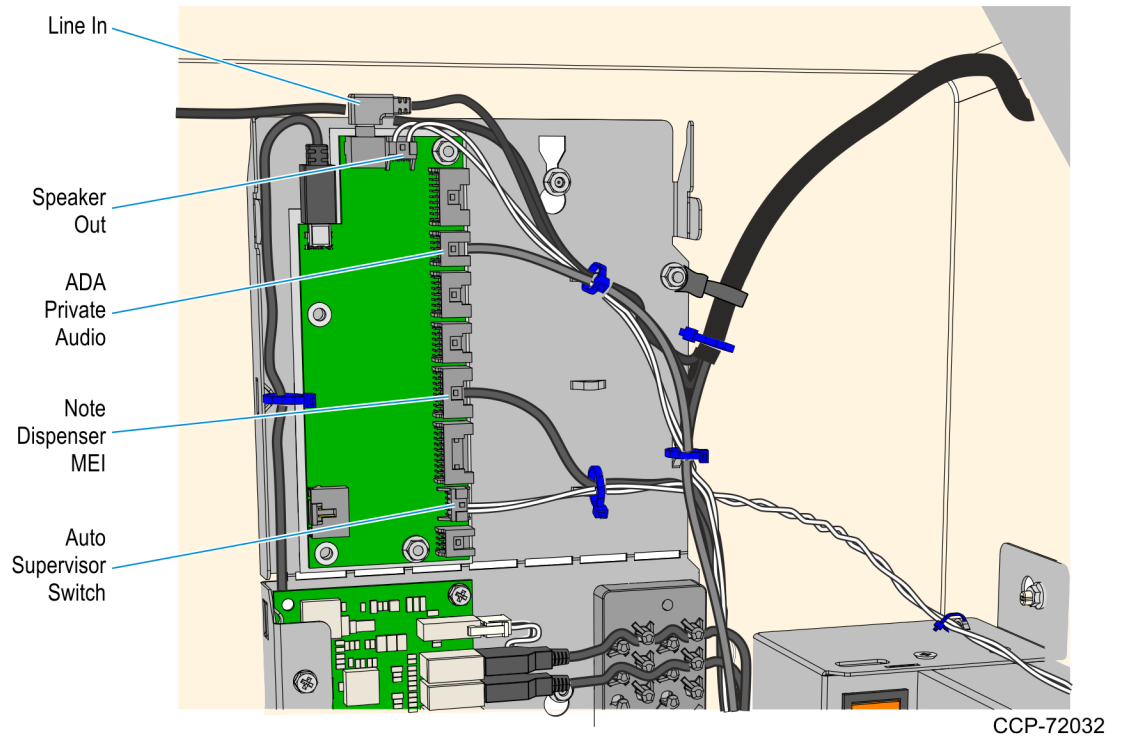
14. Connect the following USB Cables to the top USB HUB, use the cable strain relief to secure the cables.
 - Sidecar USB Cable
 - UX 300 MSR if present



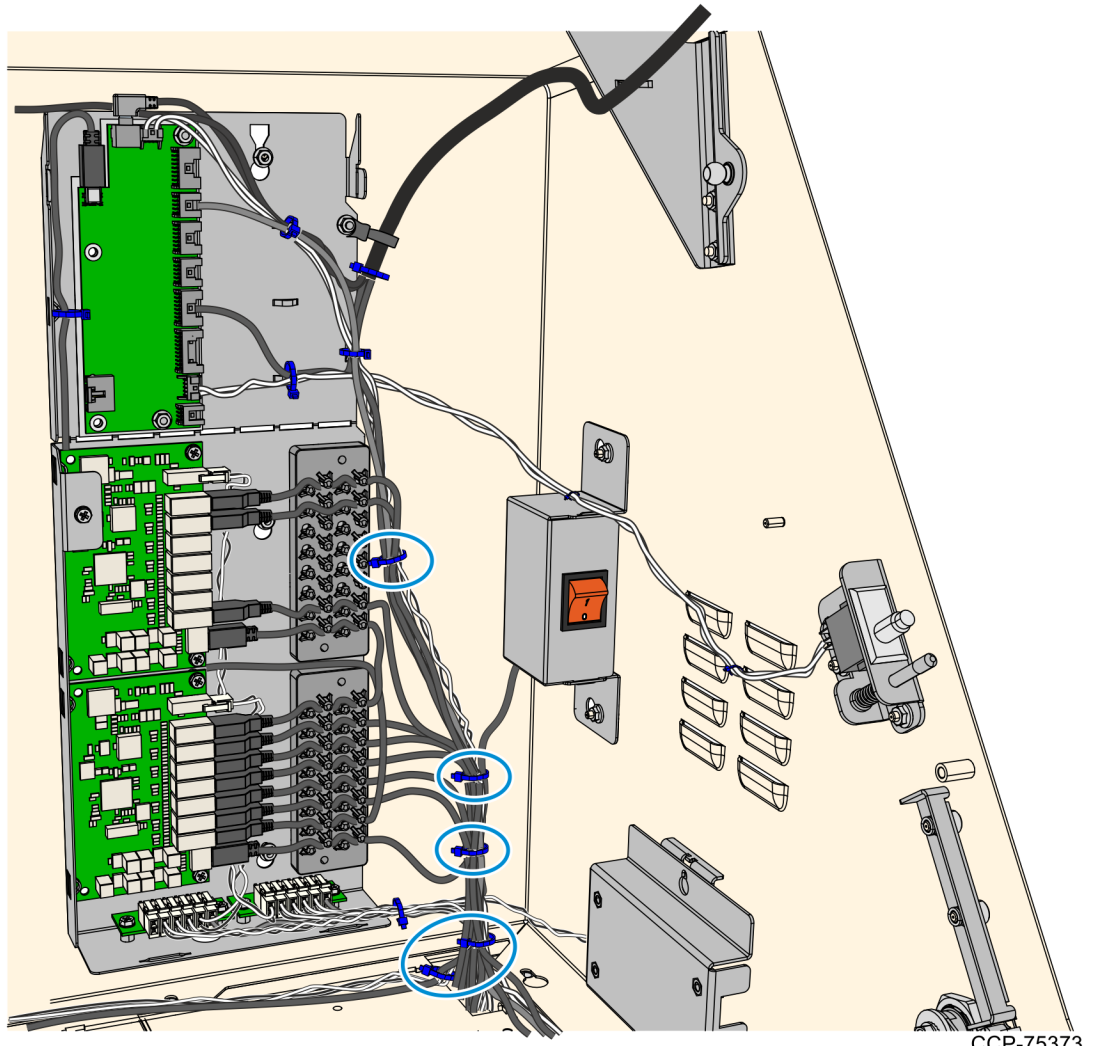
CCP-75372

15. Connect the following Cables to the MISC I/F, board. Secure and tidy up the cables using cable ties as necessary.

- Line-In audio jack
- Speaker-Out
- ADA Private Audio
- Note Dispenser MEI
- Auto Supervisor Switch

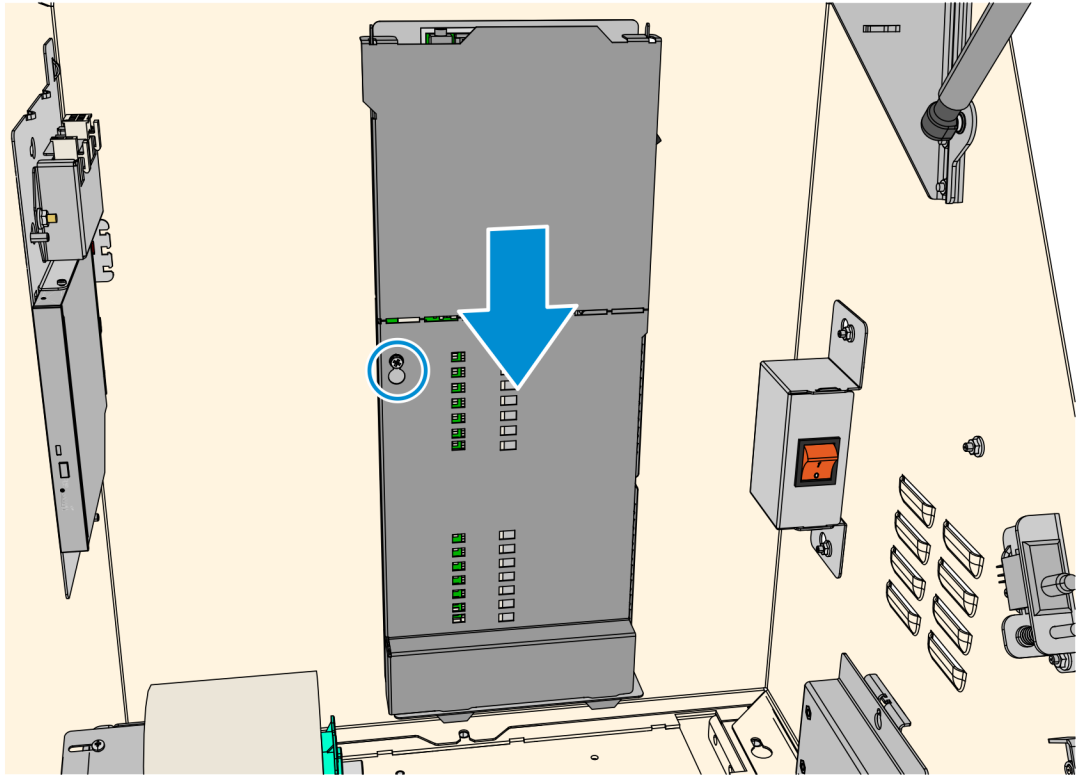


16. Tidy up and bundle the I/O Panel cables using cable ties as necessary to secure them.



CCP-75373

17. Mount the I/O Panel Cover and tighten the screw (1) on the panel to secure the cover. Make sure that the cover does not snag or pinch the cables in or near the panel.



CCP-75330

Loading the Card Dispenser Hoppers

The Card Dispenser Hoppers can store the following number pieces of cards:

Card Types	Triple-Hopper	Single-Hopper
Embossed Cards	up to 100 cards	up to 100 cards
0.76 mm thick flat cards (without emboss)	up to 150 cards	up to 250 cards

A near-end detect sensor in the hopper determines if the number of cards remaining is low.

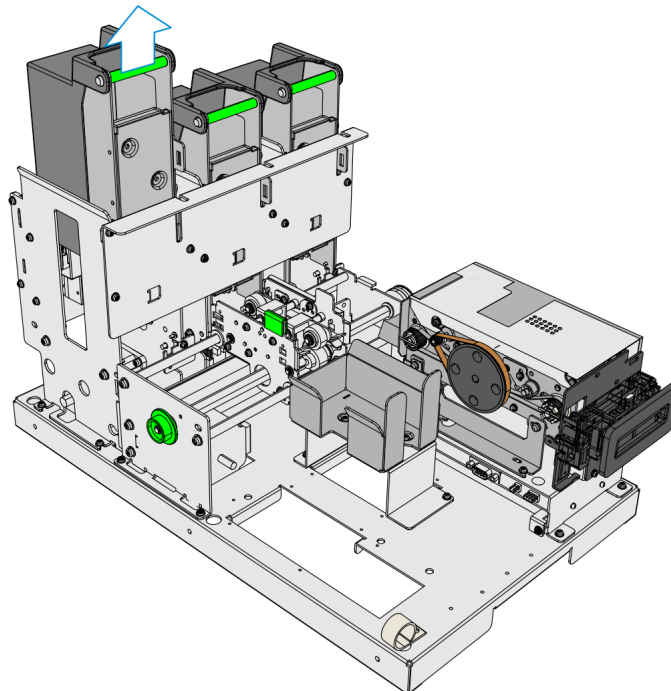
- **embossed cards** — about 15 pieces
- **0.76mm thick flat cards (without emboss)** — about 20 pieces



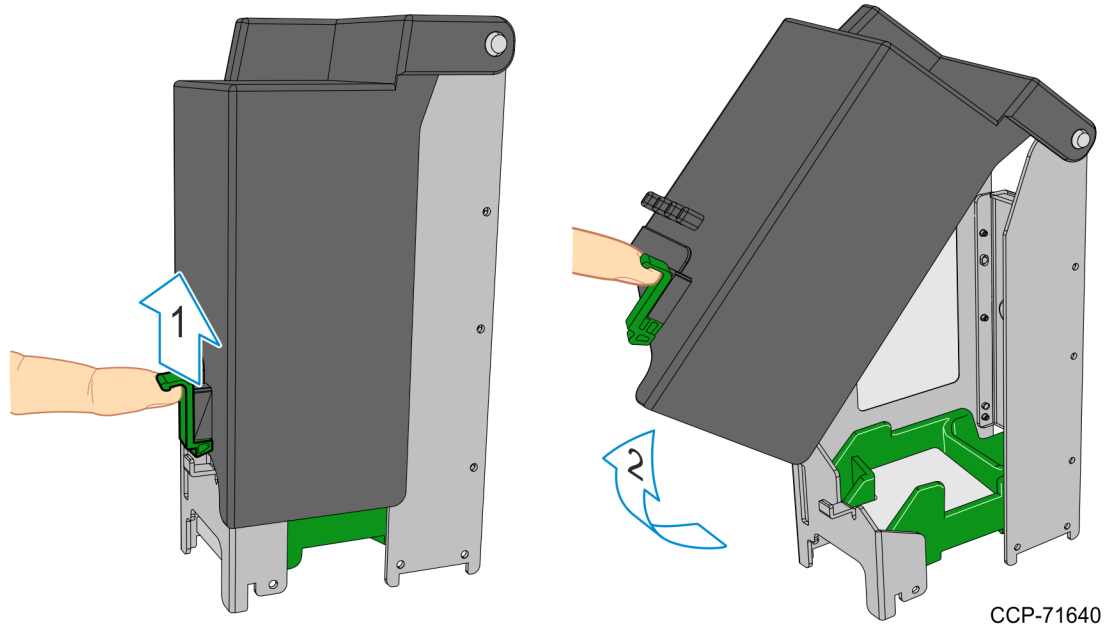
Tip: New cards have a tendency to stick together, causing card jams. Separate new cards from the stack one at a time by hand before placing them into the hopper.

Perform the steps below to add card to the Card Dispenser Hoppers.

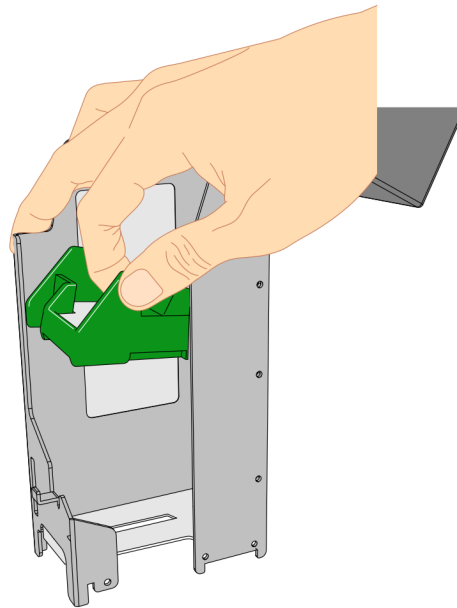
1. Use the green handle bar on the hopper to lift up and remove it from the Card Dispenser.



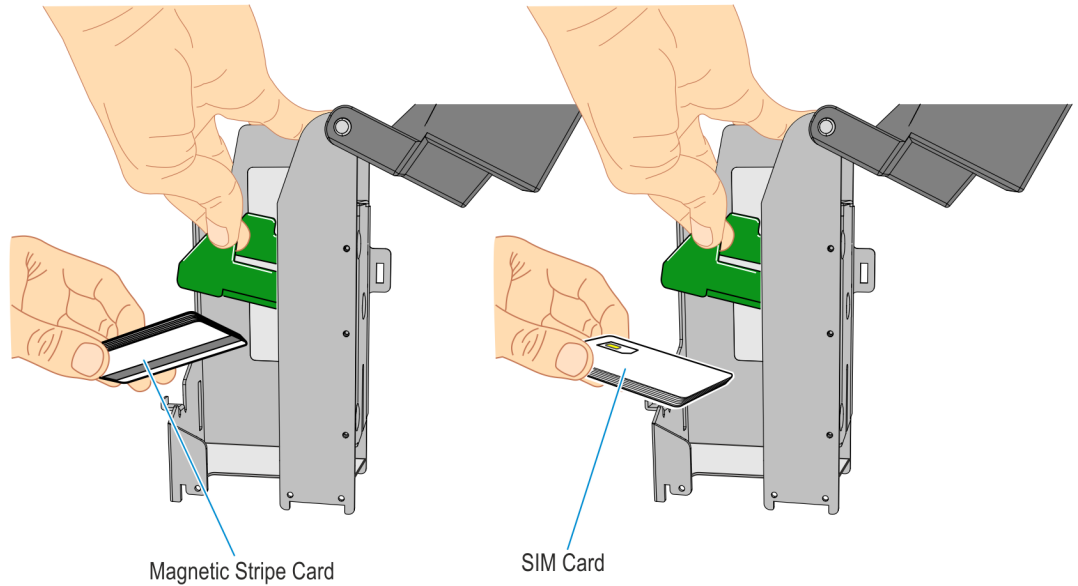
2. Open the Card Hopper. Lift the Green latch to unlock the cover then rotate the cover forward.



3. Lift the card stack weight from the Hopper.



4. Load new cards into the hopper.
 - Magnetic cards—the magnetic stripe must be facing downwards and on the right-hand side (when viewing the dispenser from the front)
 - SIM cards—the IC chip must be facing upwards and on the rear side of the card



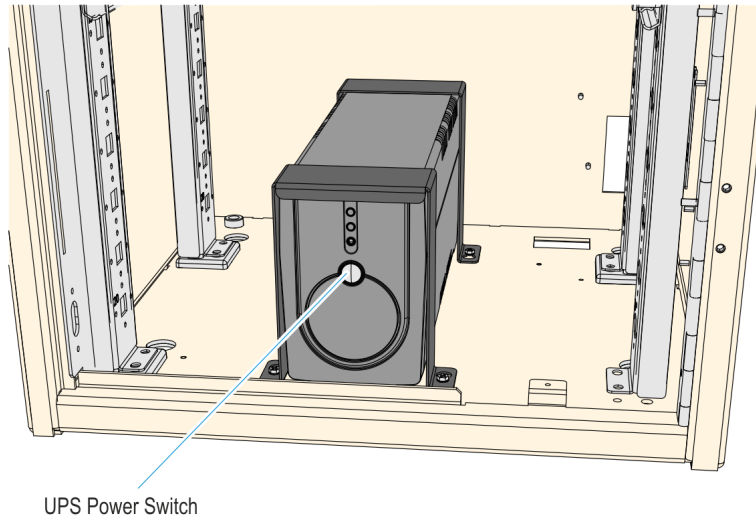
CCP-71642

5. Place the weight on top of the card stack and close the hopper.
6. Mount the hopper on the Card Dispenser.

Turning ON the Kiosk

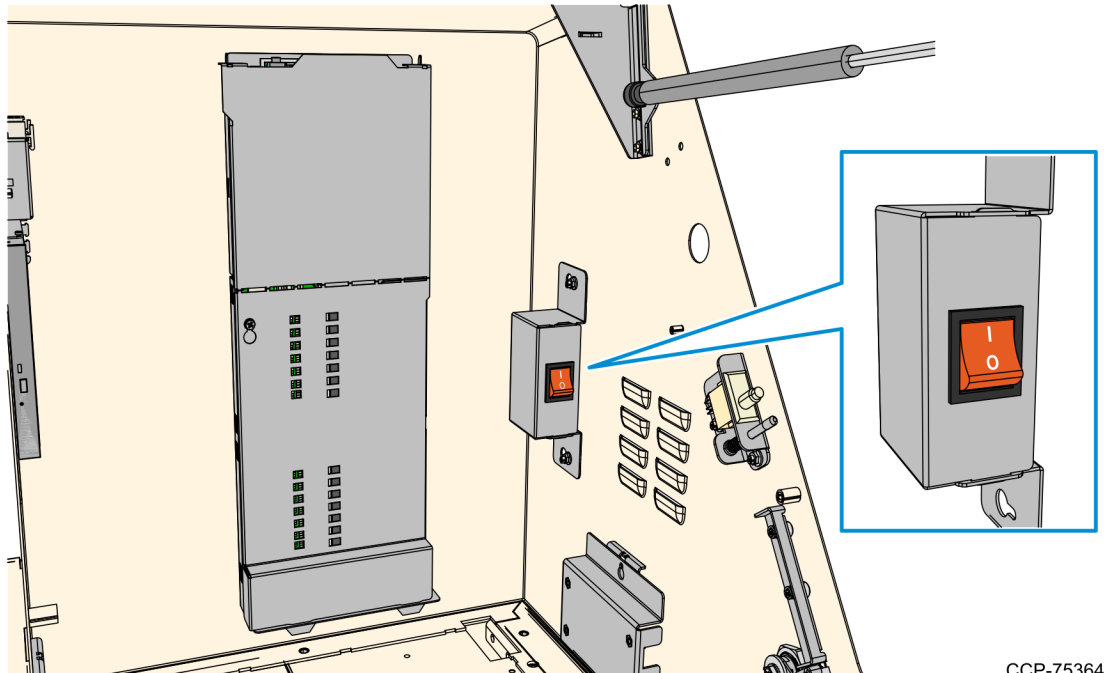
The Kiosk should be switched ON using the power switch located in the top-box.

1. Plug the Main AC power cable to an AC power source.
2. If present, push the UPS Power Switch to turn it ON.



CCP-64009

3. Push the PSU switch to the "I" position.



CCP-75364