

Kit Instructions

Verifone UX100 and UX300 Mount with Trackball



7705-K053
Issue B



The product described in this book is a licensed product of NCR Corporation.

NCR is a registered trademark of NCR Corporation. NCR SelfServ™ is a trademark of NCR Corporation in the United States and/or other countries. Other product names mentioned in this publication may be trademarks or registered trademarks of their respective companies and are hereby acknowledged.

The terms HDMI and HDMI High-Definition Multimedia Interface, and the HDMI Logo are trademarks or registered trademarks of HDMI Licensing LLC in the United States and other countries.

Where creation of derivative works, modifications or copies of this NCR copyrighted documentation is permitted under the terms and conditions of an agreement you have with NCR, NCR's copyright notice must be included.

It is the policy of NCR Corporation (NCR) to improve products as new technology, components, software, and firmware become available. NCR, therefore, reserves the right to change specifications without prior notice.

All features, functions, and operations described herein may not be marketed by NCR in all parts of the world. In some instances, photographs are of equipment prototypes. Therefore, before using this document, consult with your NCR representative or NCR office for information that is applicable and current.

To maintain the quality of our publications, we need your comments on the accuracy, clarity, organization, and value of this book. Please use the link below to send your comments.

Email: FD230036@ncr.com

Copyright © 2017-2018
By NCR Corporation
Duluth, GA U.S.A.
All Rights Reserved

Revision Record

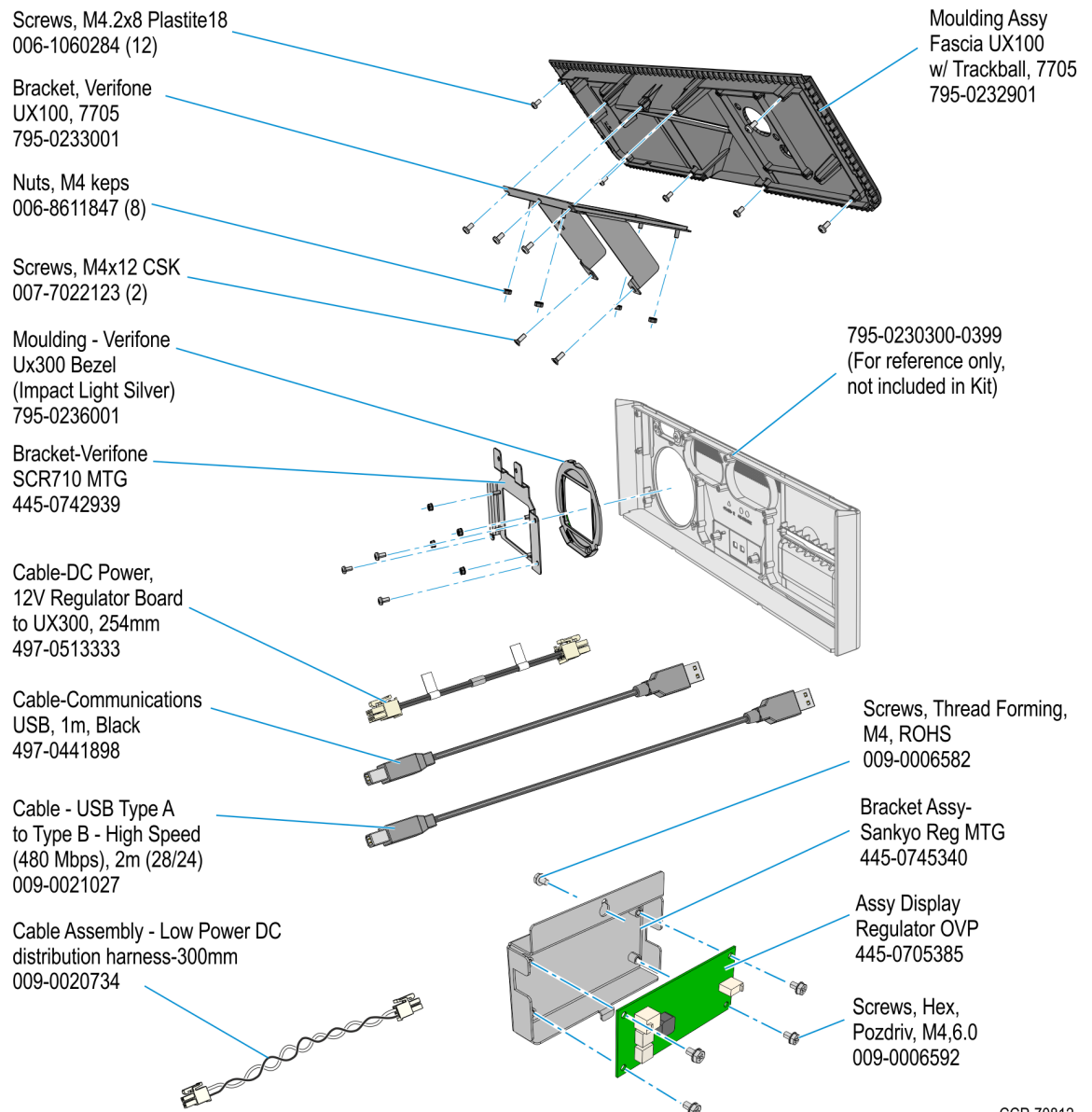
Issue	Date	Remarks
A	March 2017	First Issue
B	Jan 2018	Added 12V Regulator parts and instructions.

Verifone UX100 and UX300 Mount with Trackball

Introduction

This kit provides components to install mounting brackets for Verifone UX100 PIN Pad and UX300 MSR with a Trackball feature to an NCR SelfServ™ 75 (7705) Kiosk.

Kit Contents



Installation Procedure



Warning: Disconnect the AC power cord before disassembling the Terminal.



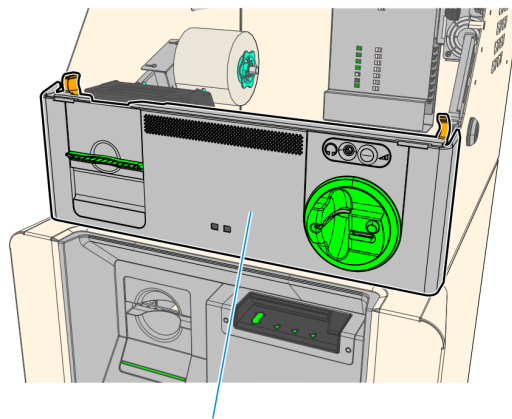
Caution: Static Electricity Discharge may permanently damage your system. Discharge any static electricity build up in your body by touching your computer's case for a few seconds. Avoid any contact with internal parts and handle cards only by their external edges.

The following components are supplied by the customer:

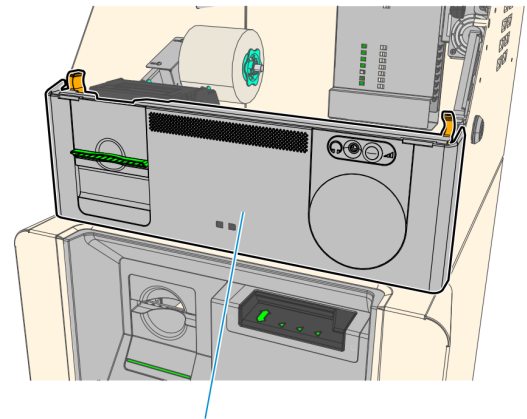
- Verifone UX100 PIN Pad
- Verifone UX300 MSR
- PIN Pad Ground Harness

To install the 7705-K053 kit to an NCR Selferv™ 75 (7705) Kiosk, perform the following steps:

1. Shut down the Software Application and Operating System.
2. Power down the Kiosk and unplug the power cord.
3. Remove the Front Panel. The Front Panel may have a Card Reader Blank Plate or Dip MSR Card Reader, refer to the appropriate section below for the removal procedure.
 - [Removing the Front Panel with Blank Plate](#)
 - [Removing the Front Panel with a Sankyo Dip MSR](#)



Front Panel with Dip MSR



Front Panel with MSR Blank Plate

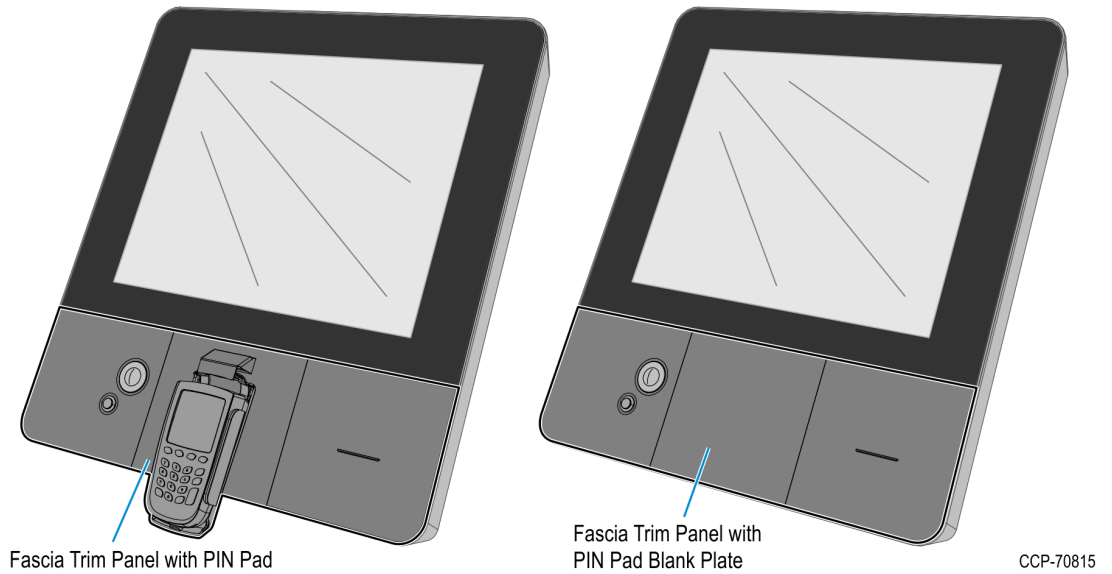
CCP-70814

4. [Install the Verifone UX300 MSR to the Front Panel.](#)
5. [Mount and Install the Front Panel Assembly to the Kiosk.](#)

6. [Remove currently installed Fascia Trim Panel assembly from the Kiosk.](#)



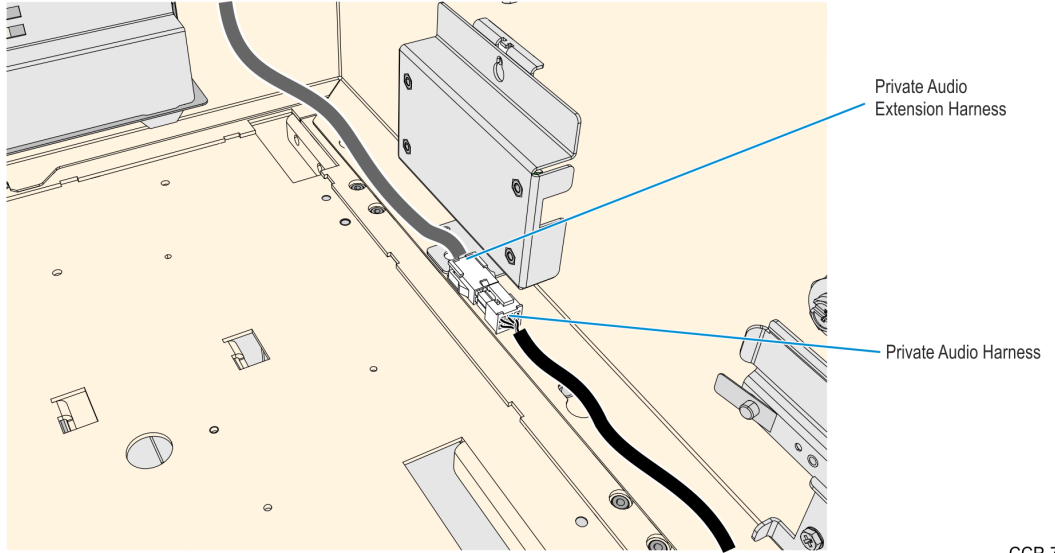
Note: The Fascia Trim Panel has a Trackball module and may have a PIN Pad or PIN Pad Blank Plate installed to it.



7. [Install the Fascia Trim Panel for the Verifone UX100 PIN Pad.](#)
8. [Install the UX100 PIN Pad.](#)
9. [Install the 12V Regulator Board.](#)
10. [Route the MSR and PIN Pad Cables and secure them to the Kiosk.](#) For information on the connections of the MSR and PIN Pad to the 7705 Kiosk, see the [Interconnection Diagram](#) section.

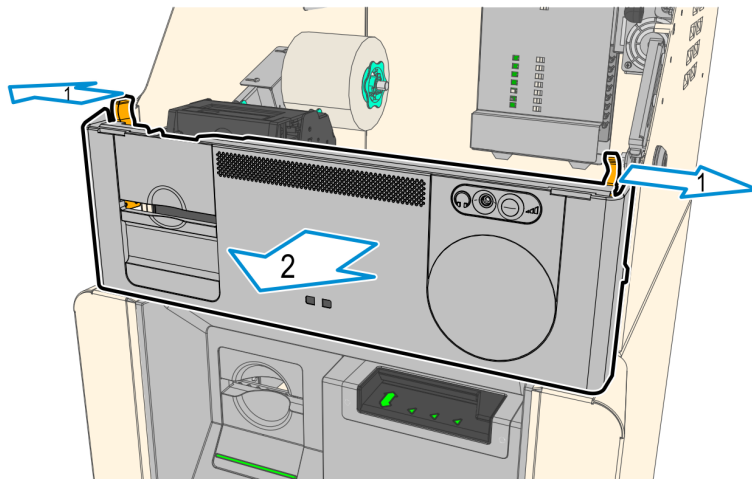
Removing the Front Panel with Blank Plate

1. Inside the top box, disconnect the Private Audio Cable from the Private Audio Extension Cable.



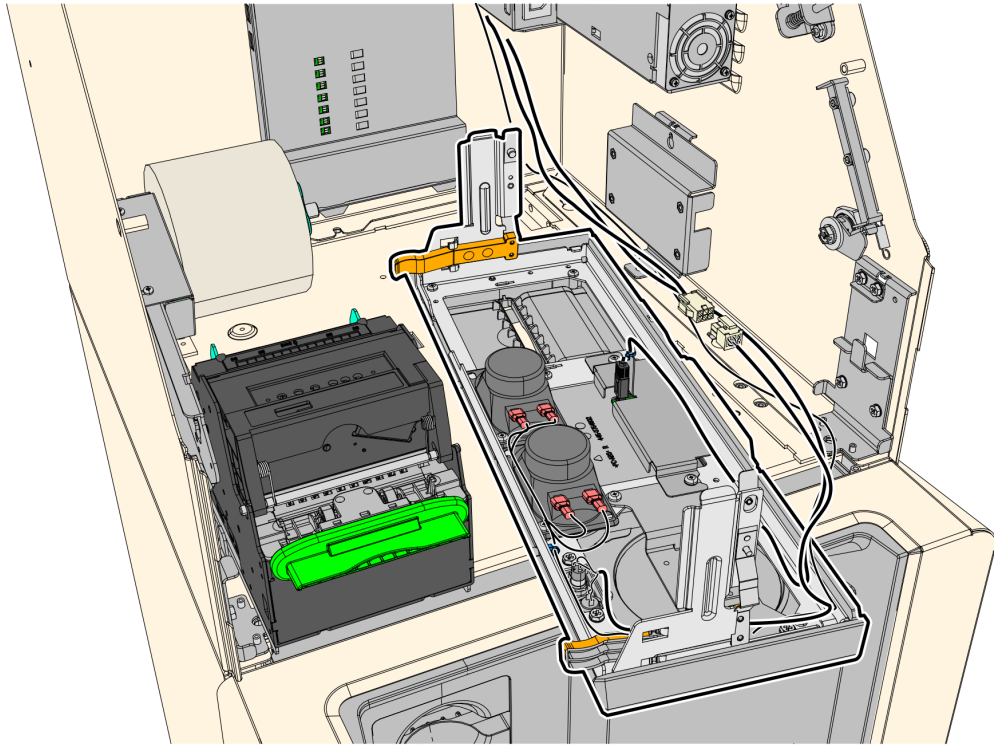
CCP-70869

2. Slide out the Front Panel from the Kiosk. Push the two orange latches outwards and pull the Front Panel towards you until it is out from the Kiosk..



CCP-70817

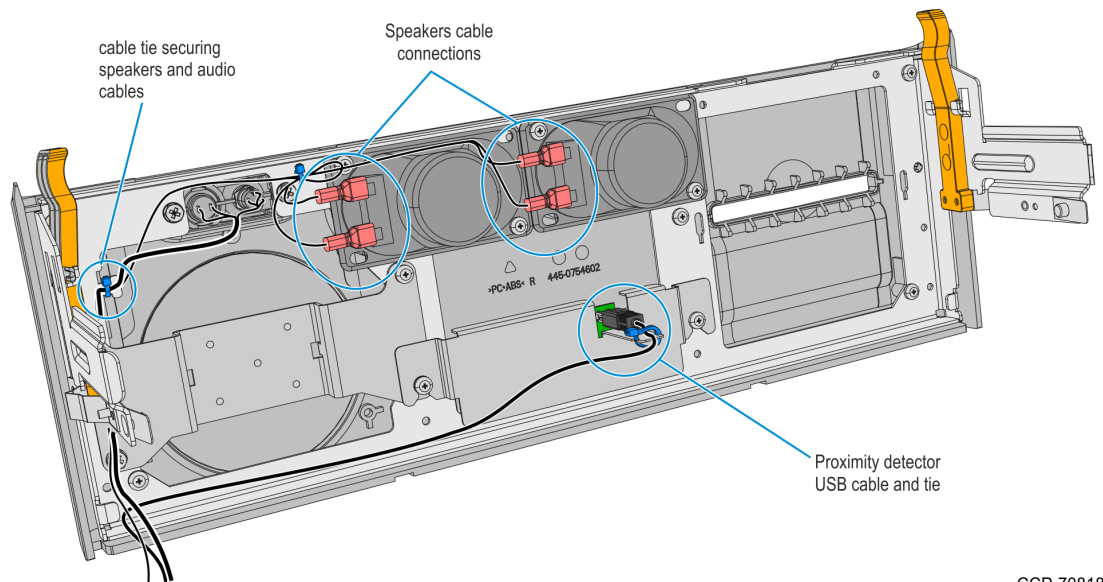
3. Carefully place the Front Panel assembly face down on the Top Box. Note that the Speaker Harness and Proximity Detector USB Cable are still secured to the Front Panel.



4. Take note of the routing and disconnect the Speaker Harness and Proximity Detector USB Cable, cut off the cable ties securing them to the panel.

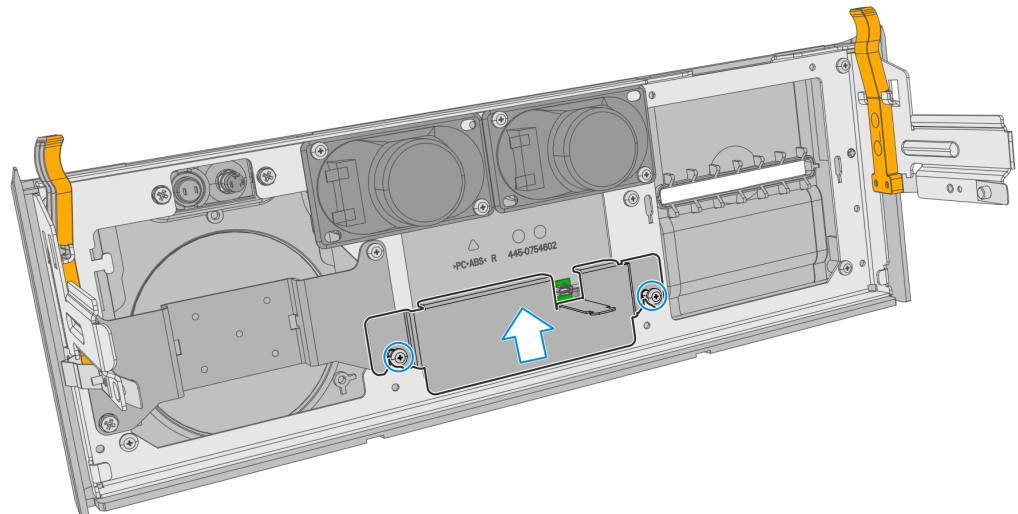


Note: Keep the cables safe and secured in the Top Box while working on the Front Panel.



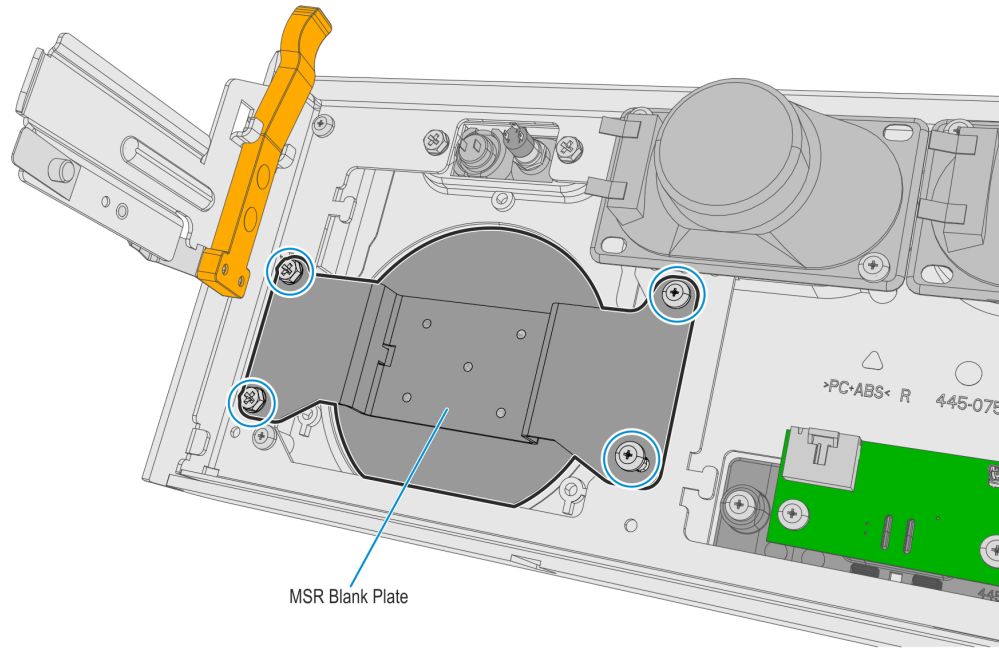
CCP-70818.

5. Loosen the screws (2) securing the Proximity Detector Cover then remove the cover from the Front Panel.



CCP-70819

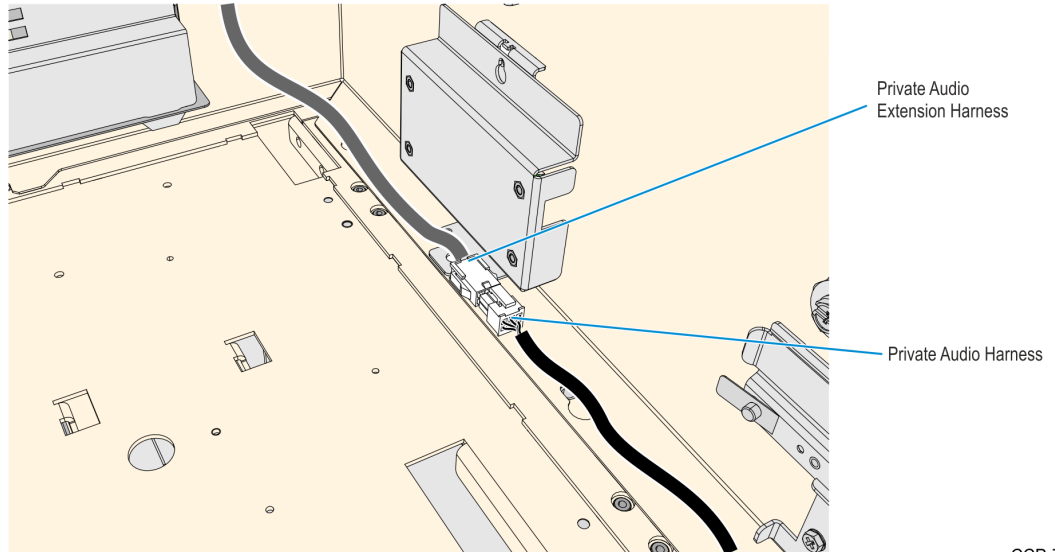
6. Remove the screws (4) securing the Blank Plate to the Front Panel.



7. Remove the Blank Plate from the Front Panel.

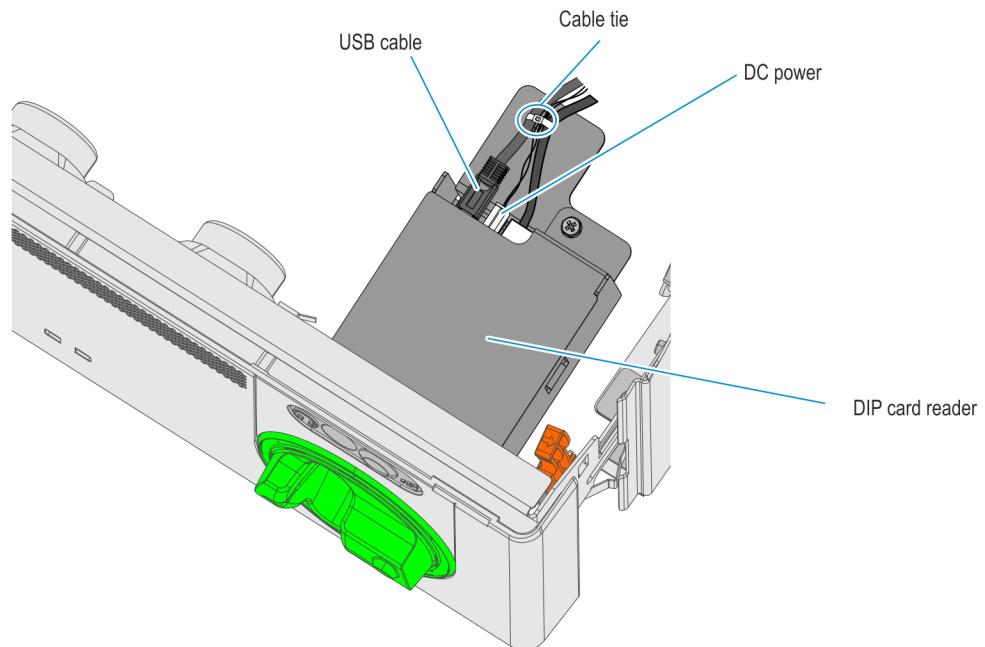
Removing the Front Panel with a Sankyo Dip MSR

1. Inside the top box, disconnect the Private Audio Cable from the Private Audio Extension Cable.



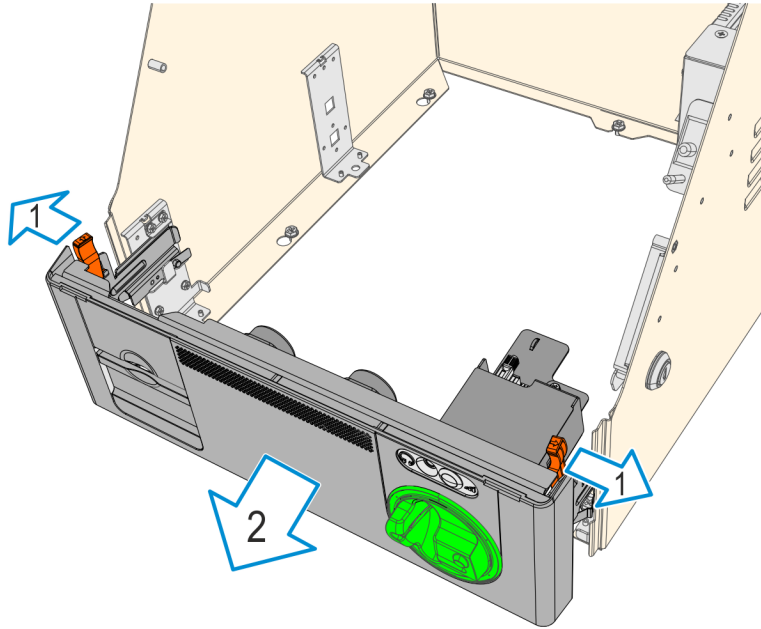
CCP-70869

2. Disconnect and remove the USB and DC cables from the Sankyo Dip MSR, remove the cables ties securing them as necessary.



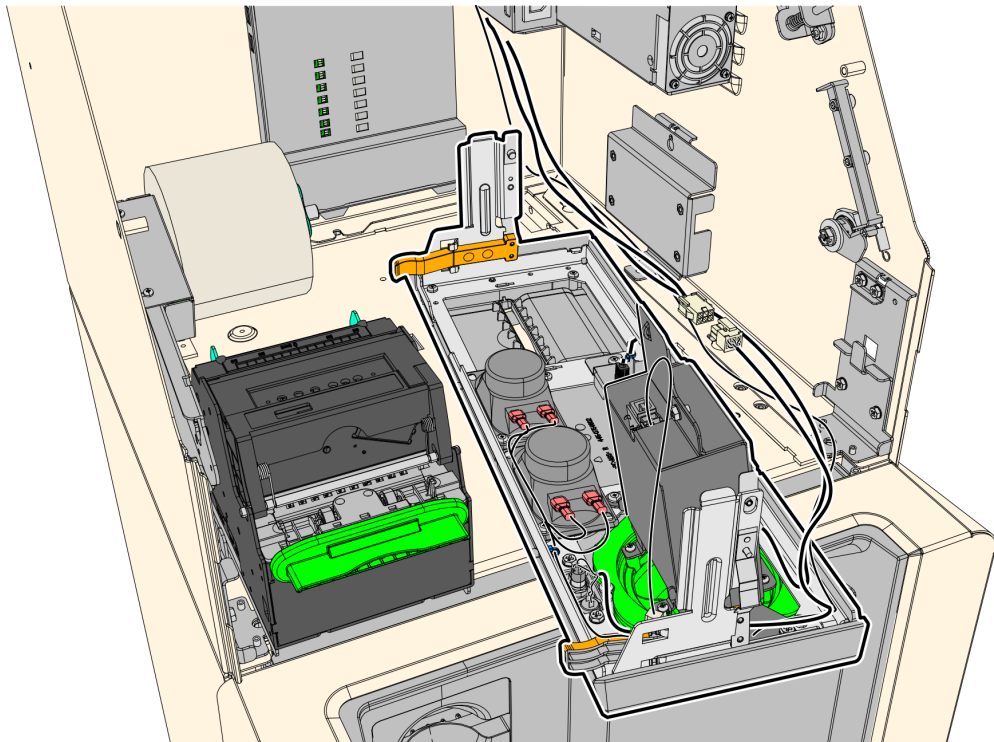
CCP-65075

- Slide out the Front Panel from the Kiosk. Push the two orange latches outwards and pull the Front Panel towards you until it is out from the Kiosk.



CCP-65074

- Carefully place the Front Panel assembly face down on the Top Box. Note that the Speaker Harness and Proximity Detector USB Cable are still secured to the Front Panel.

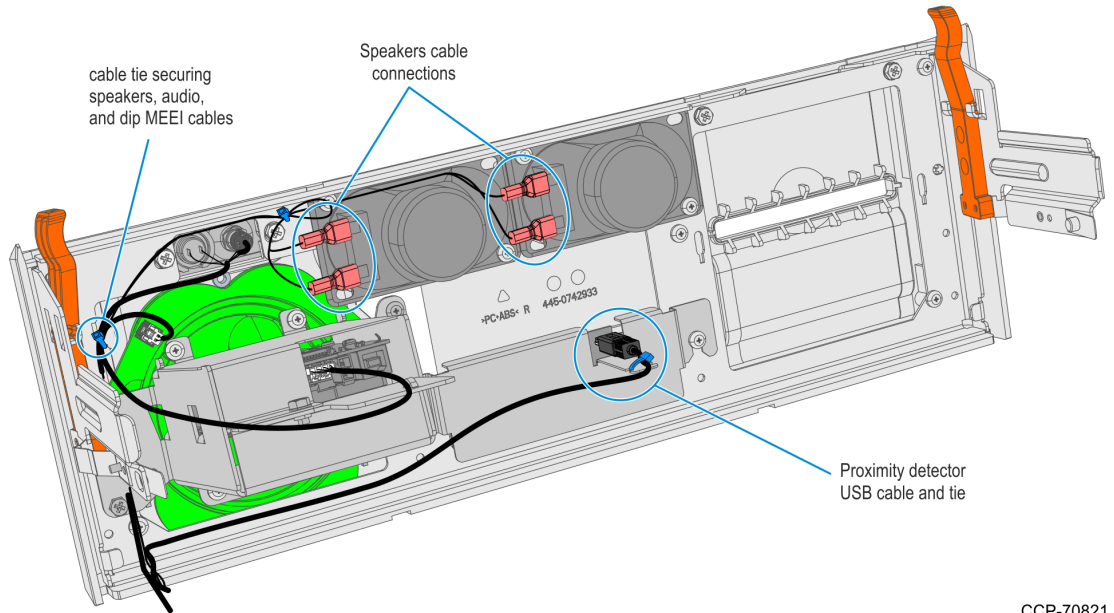


CCP-70866

5. Take note of the routing and disconnect the Speaker Harness and Proximity Detector USB Cable, cut off the cable ties securing them to the panel.

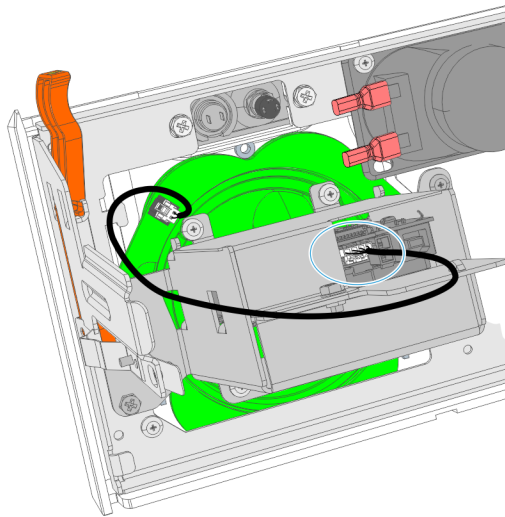


Note: Keep the cables safe and secured in the Top Box while working on the Front Panel.



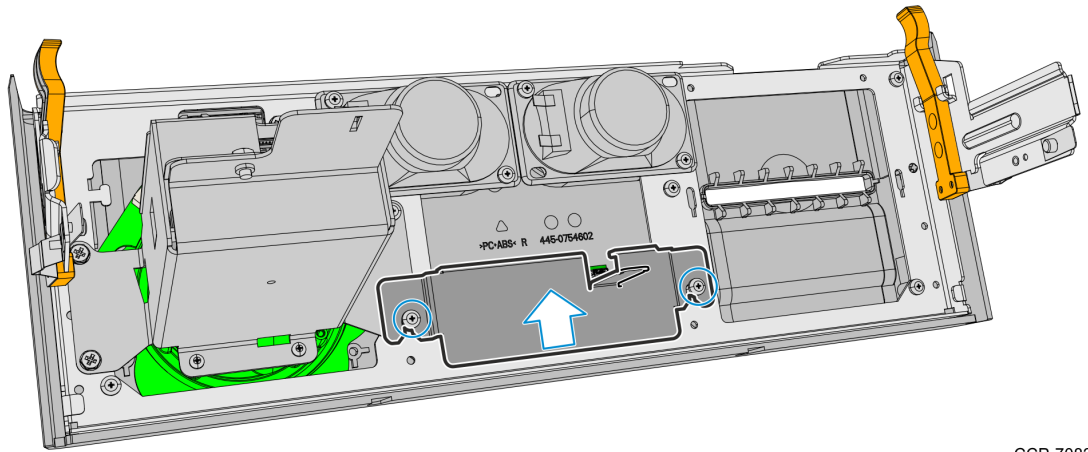
CCP-70821

6. Disconnect the MEEI Cable from the Dip MSR and MEI Ring..



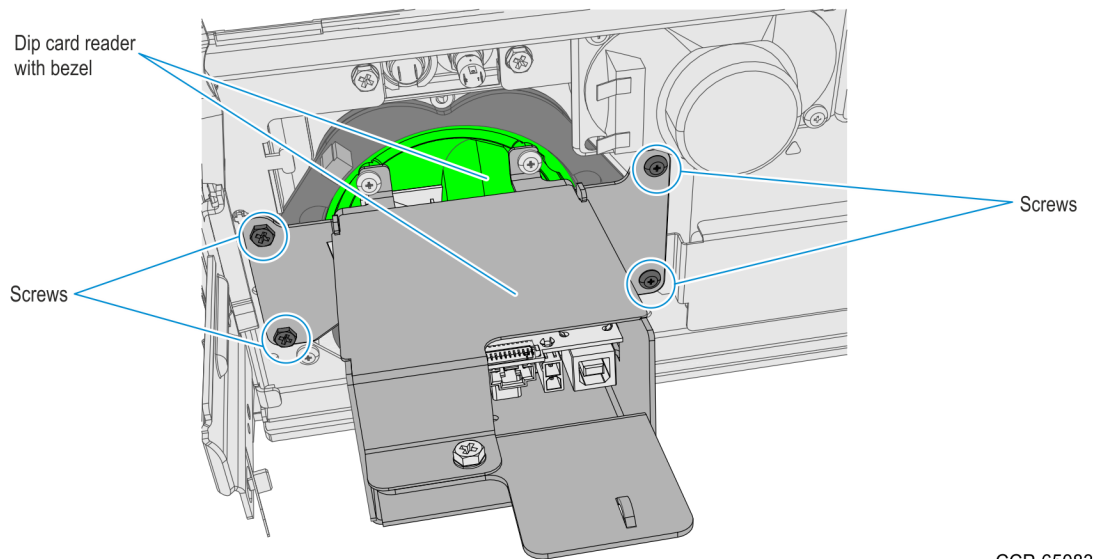
CCP-65087

7. Loosen the screws (2) securing the Proximity Detector Cover then remove the cover from the Front Panel.



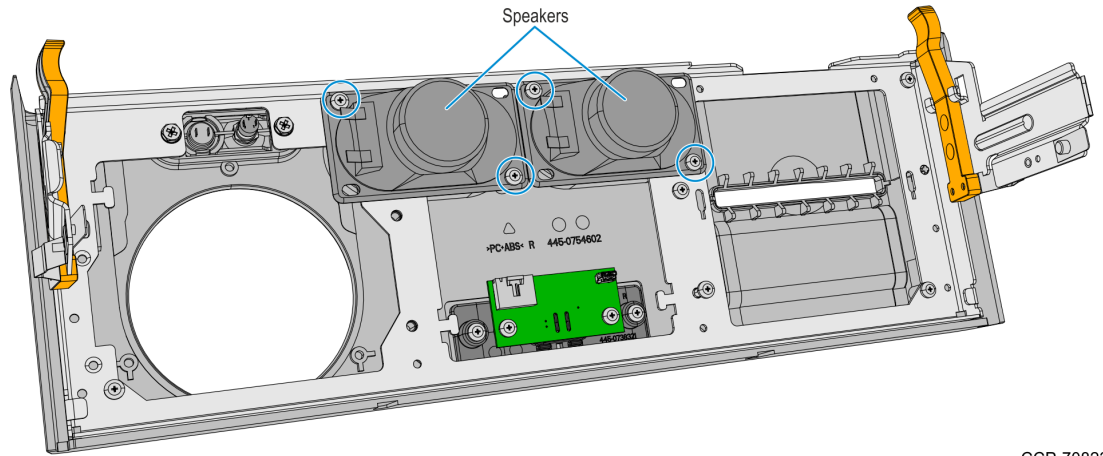
CCP-70822

8. Remove the screws (4) securing the card reader and bezel assembly to the Front Panel, then slide the assembly backwards to remove it from the panel.



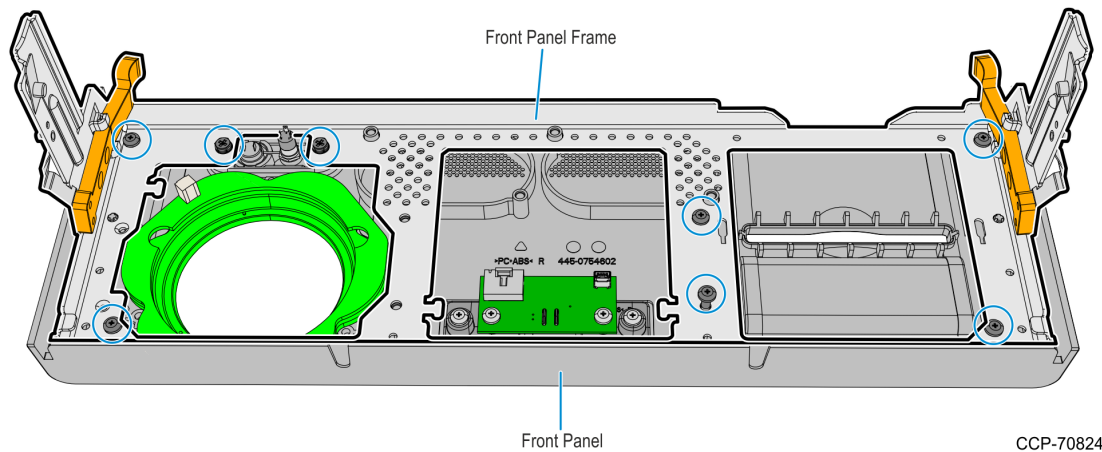
CCP-65083

9. Remove the screws (2 on each speaker) securing the Speakers to the Front Panel then remove the Speakers.



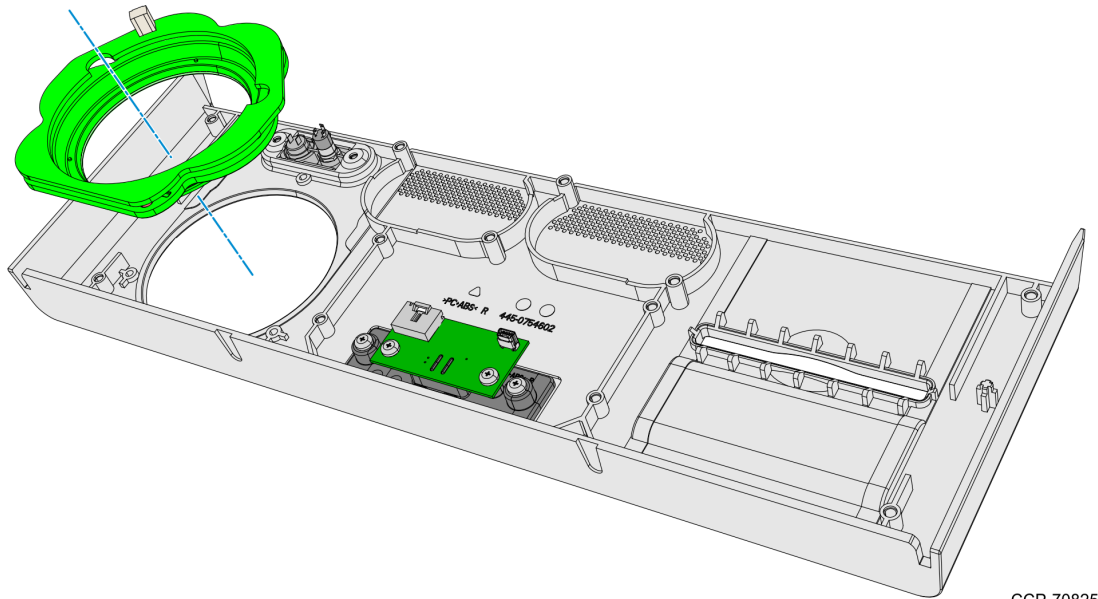
CCP-70823

10. Remove the screws (8) securing the Panel Frame to the Front Panel then remove the Panel Frame.



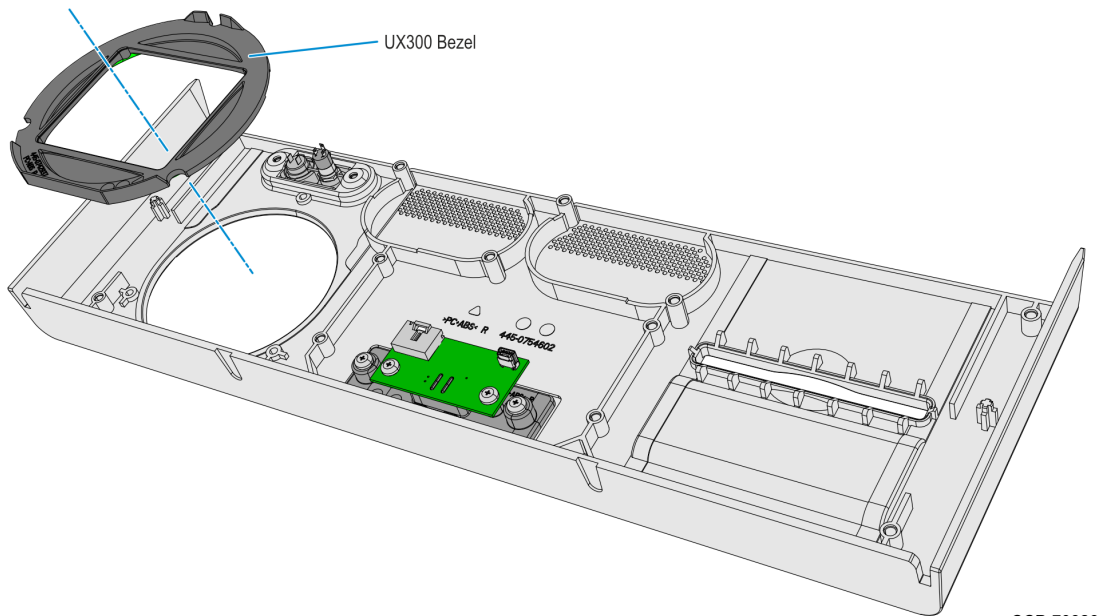
CCP-70824

11. Remove the MSR MEI Ring from the Front Panel.



CCP-70825

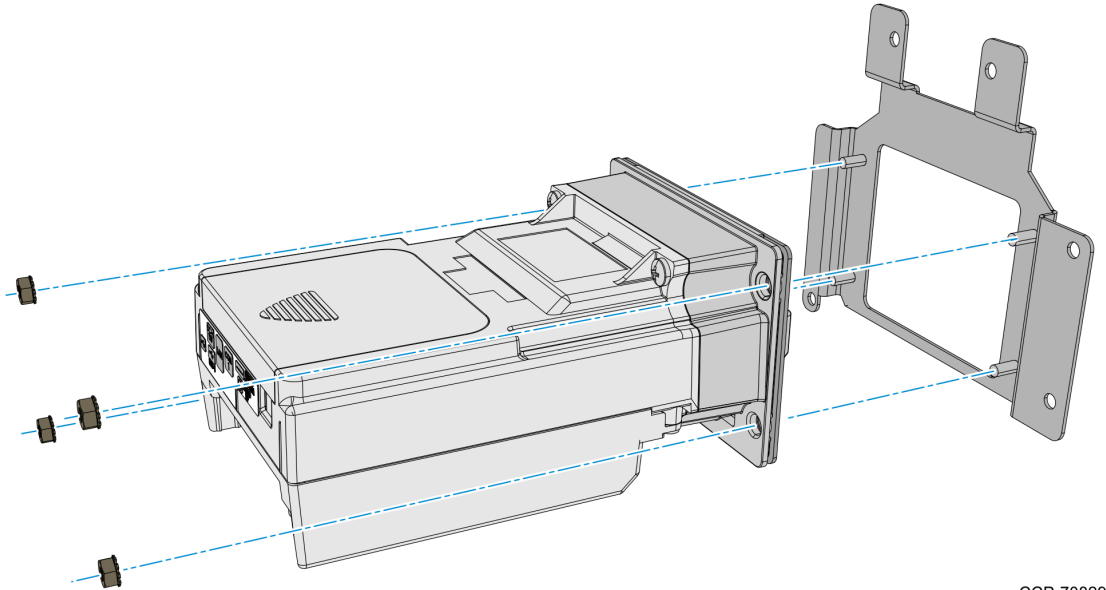
12. Mount the UX300 MSR Bezel on the Front Panel.



CCP-70826

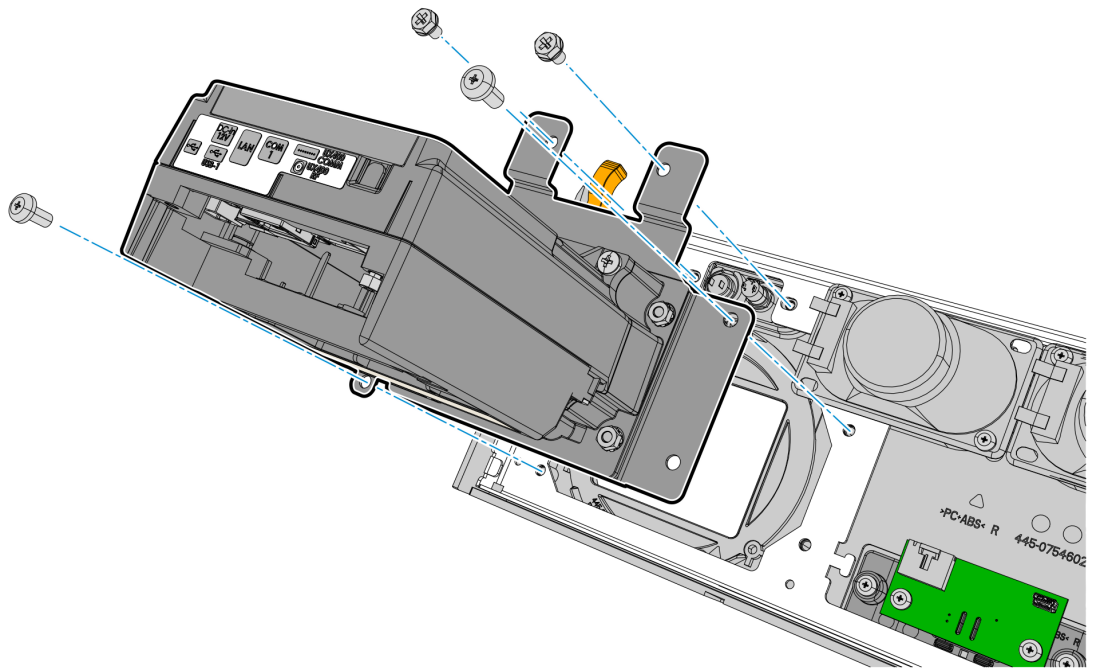
Installing the Verifone UX300 MSR

1. Mount and secure the Verifone UX300 MSR to the Verifone SCR710 MTG bracket with nuts (4).



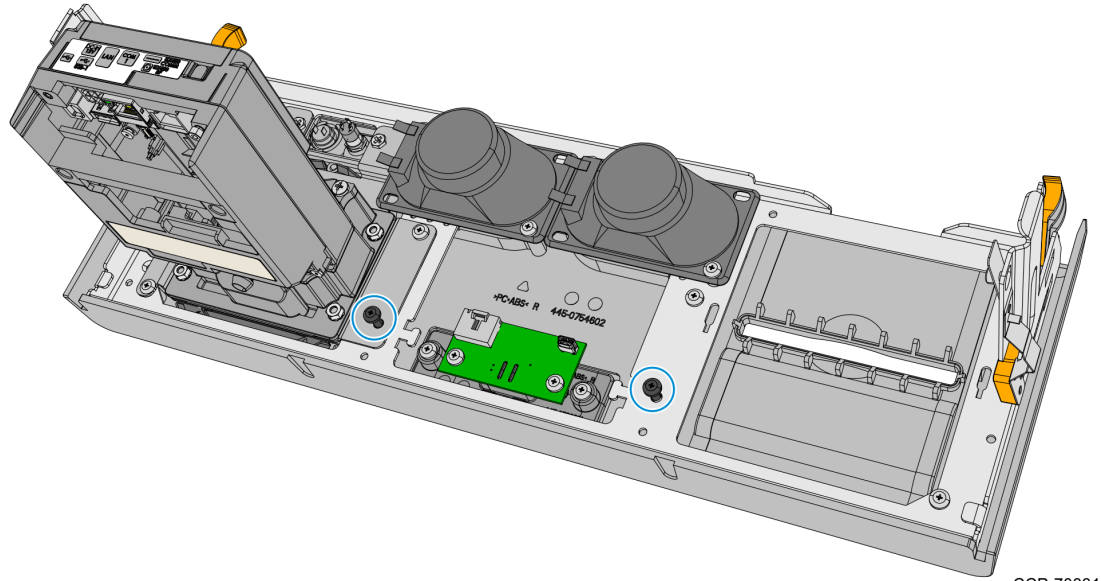
CCP-70829

2. Mount and secure the UX300 MSR and bracket assembly to the Front Panel with screws (4).

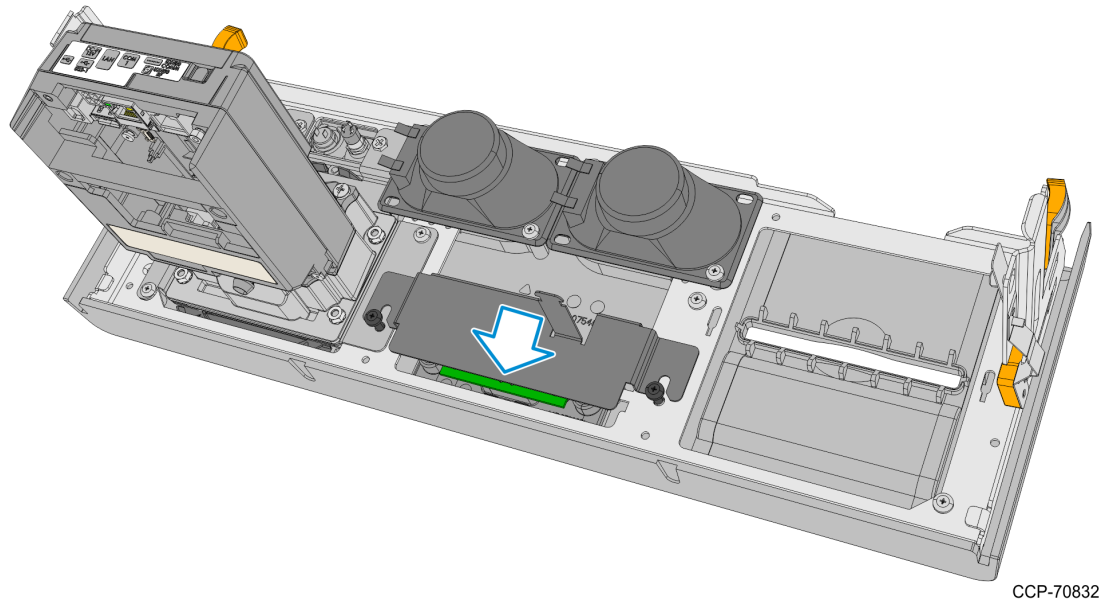


CCP-70830

3. Mount and partially tighten screws (2) for the Proximity Detector Cover.

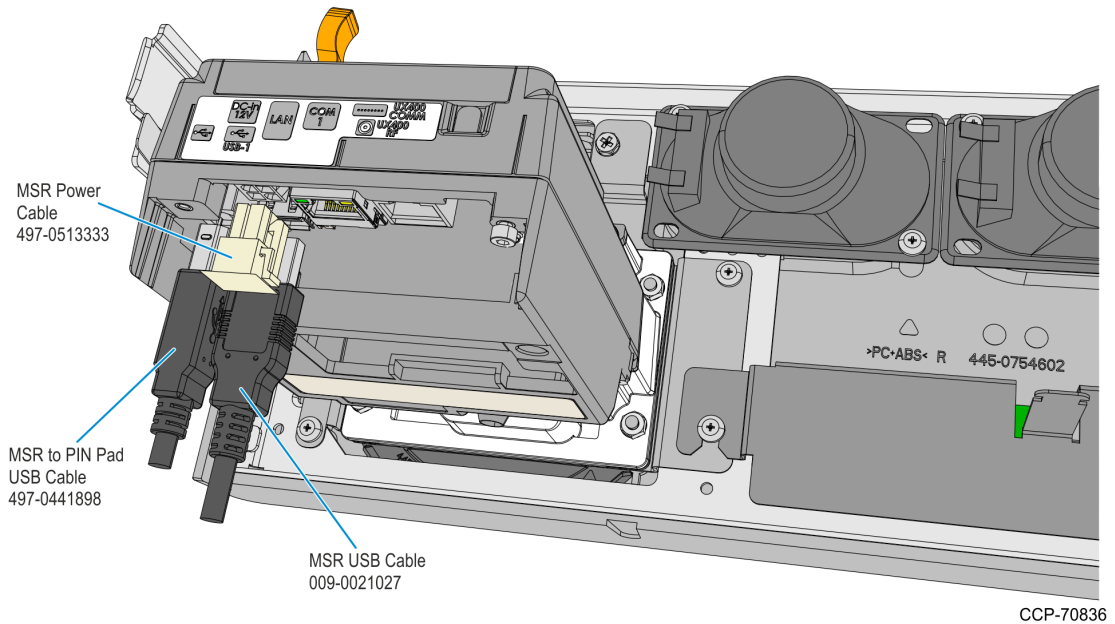


4. Insert and slide the Proximity Detector Cover under the partially tightened screws to mount the cover, then fully tighten the screws (2).



5. Connect the following cables to the UX300 MSR:

- MSR Power Cable (497-0513333 - Cable-DC Power, 12V Regulator Board to UX300)
- MSR USB Cable (497-0441898 - Cable-Communications USB, 1m, Black)
- MSR to PIN Pad USB Cable (009-0021027 - Cable-USB Type A to Type B High Speed)



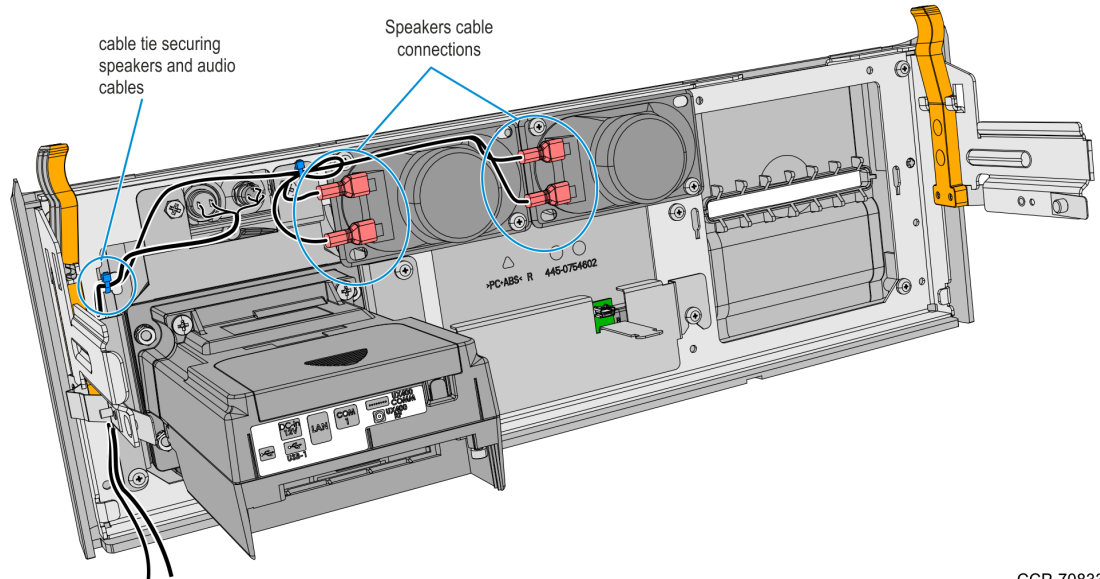
Installing the Front Panel

1. Connect the Speaker Cables to the Speakers.



Note: Make sure that the correct cable wire is connected to the appropriate speaker connection terminal.

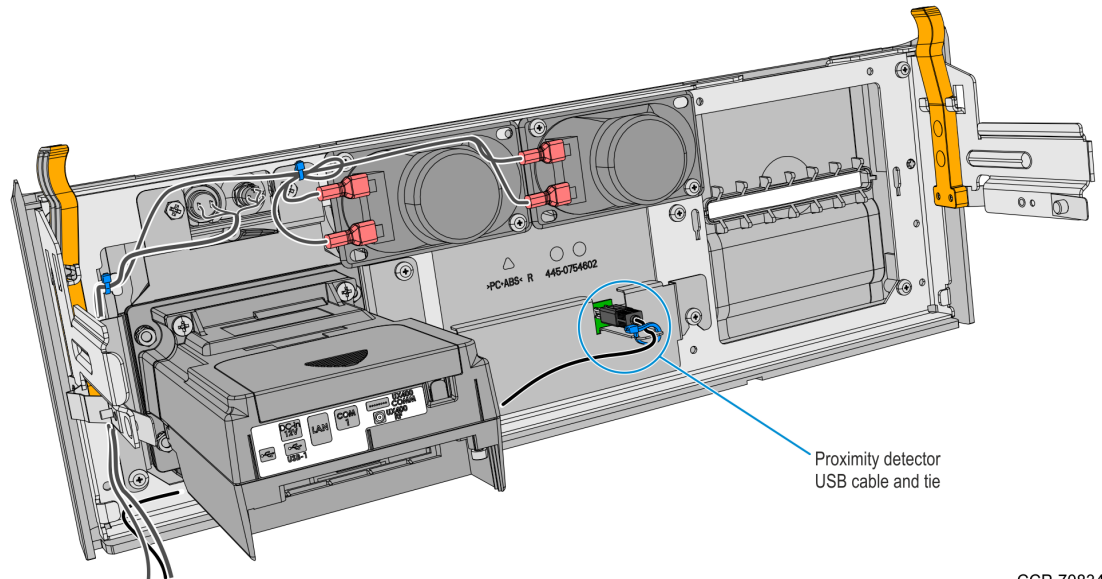
- Connect "-" cable wire to "-" speaker terminal
- Connect "+" cable wire to "+" speaker terminal



CCP-70833

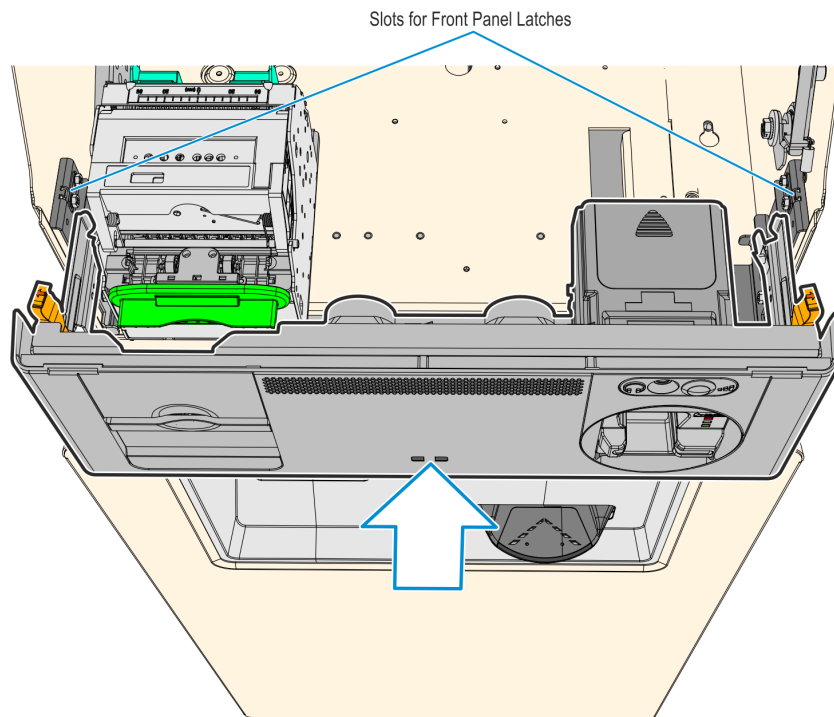
2. Route the Speaker Cables to the left-hand side of the Front Panel and secure them with the Private Audio Cable with a cable tie.

3. Connect the Proximity Detector USB Cable to the Proximity Detector Board and secure the Cable to the Cover with a cable tie.



CCP-70834

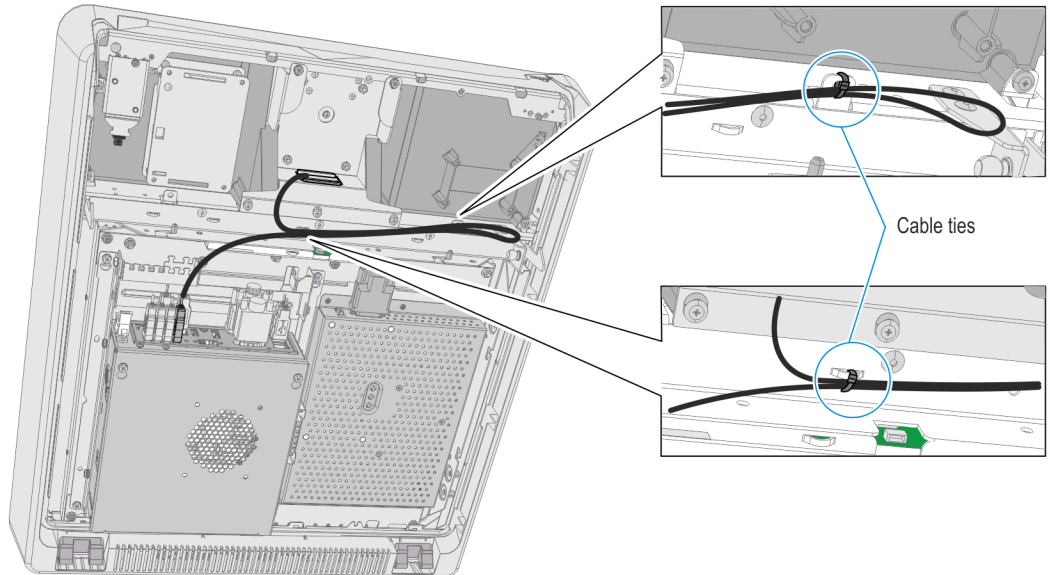
4. Route the Proximity Detector USB Cable under the MSR towards the left-hand side of the Front Panel.
5. Align the Front Panel latches to the slots in the Top Box, then push the Front Panel into the Top Box.



CCP-70835

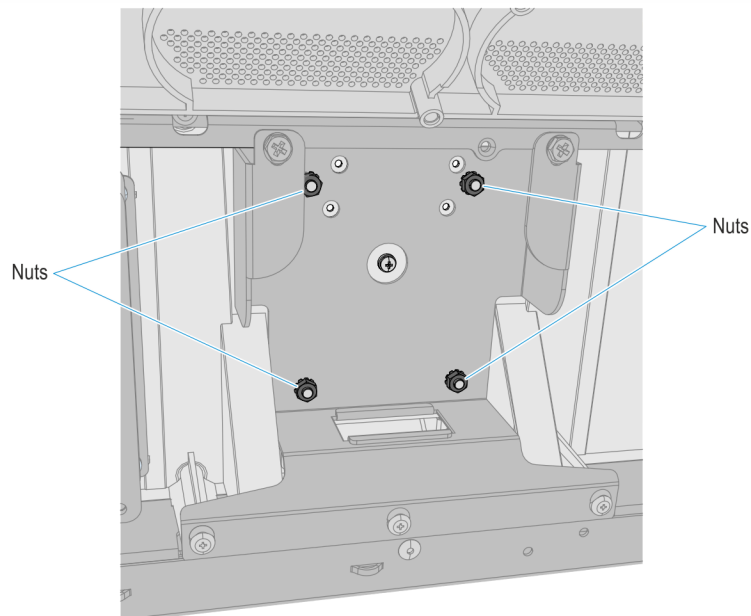
Removing the Fascia Trim Panel

1. Remove the PIN Pad or PIN Pad Blank Plate from the Fascia Trim Panel.
 - a. If the Kiosk has a PIN Pad, disconnect the PIN Pad USB cable from the EBox and cut off the cable ties securing the cable to the Fascia.



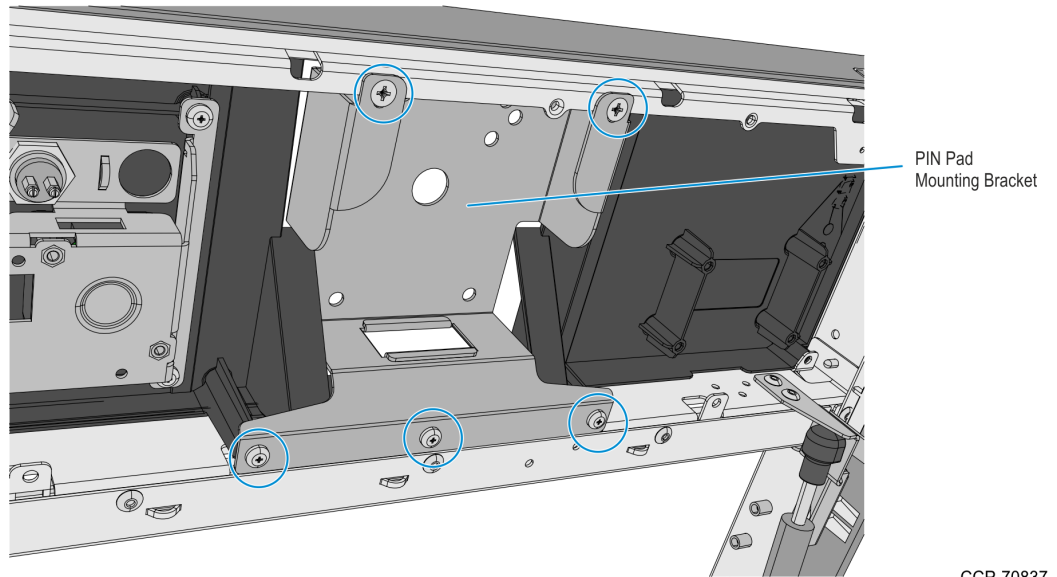
CCP-63011

- b. Remove the nuts (4) securing the PIN Pad Mounting Plate or Blank Plate from the Fascia Trim.



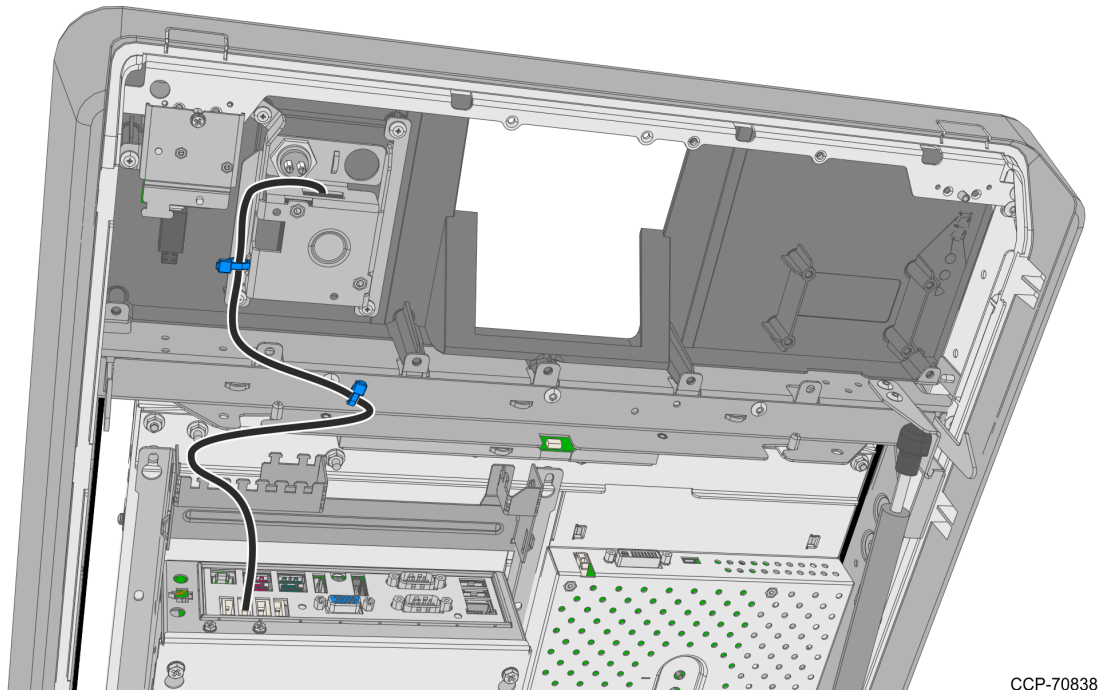
CCP-63003

- c. Remove the screws (5) securing the PIN Pad Bracket from the Fascia Trim.



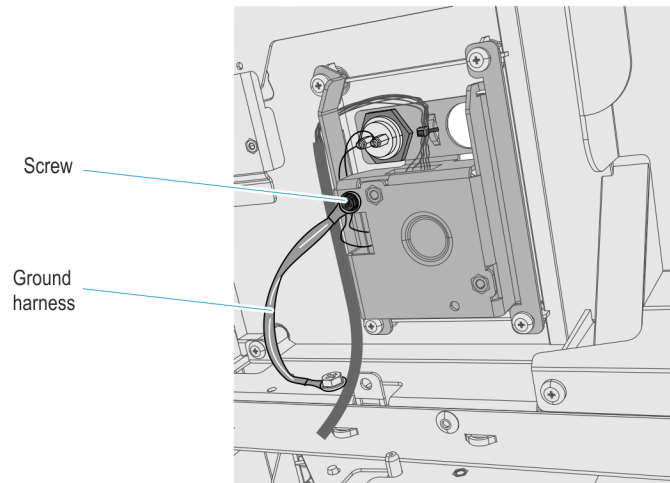
CCP-70837

2. Disconnect the Trackball USB Cable from the EBox. Cut off the cable ties securing the cable to the Fascia.



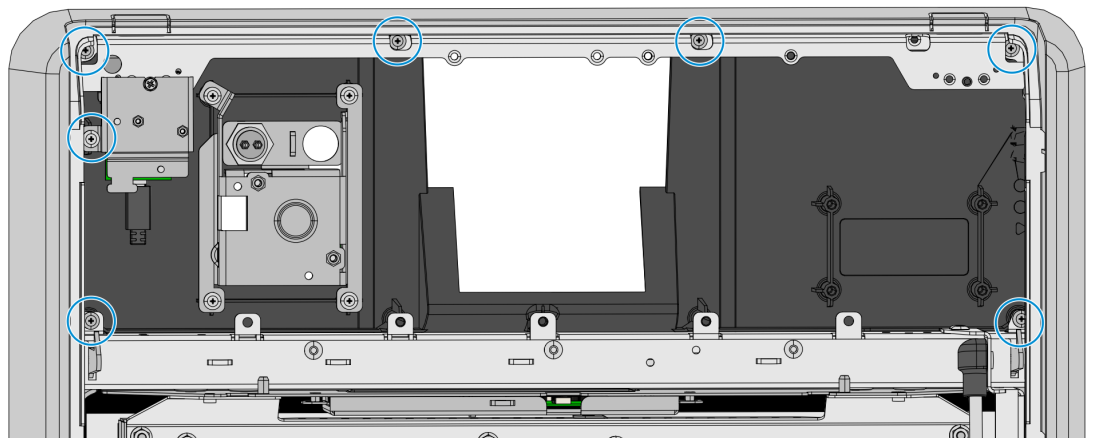
CCP-70838

3. Remove the screw (1) securing the Trackball Ground Harness to the Trackball bracket.



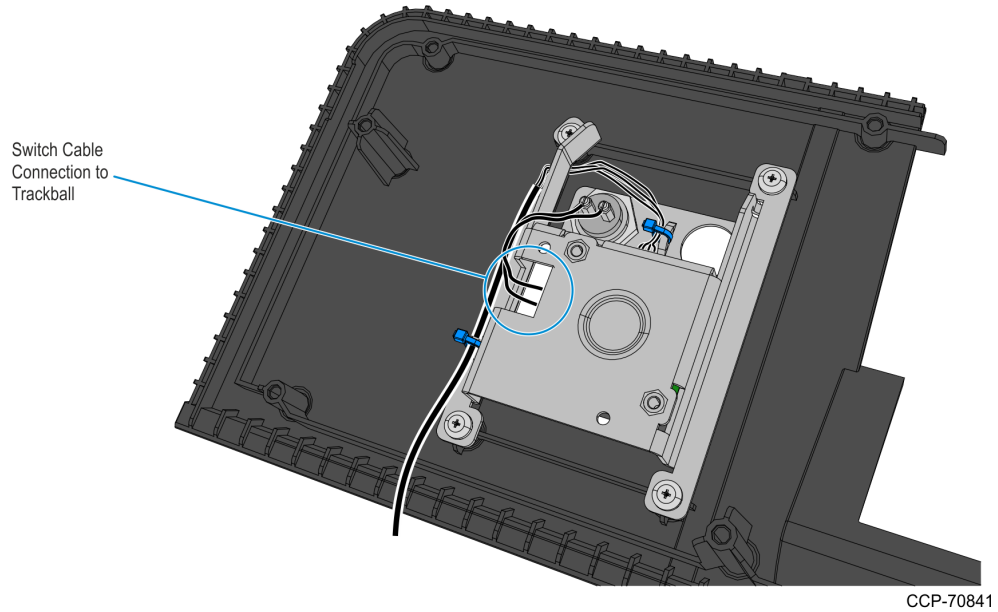
CCP-65057

4. Remove the screws (7) securing the Fascia Trim Panel to the Fascia.

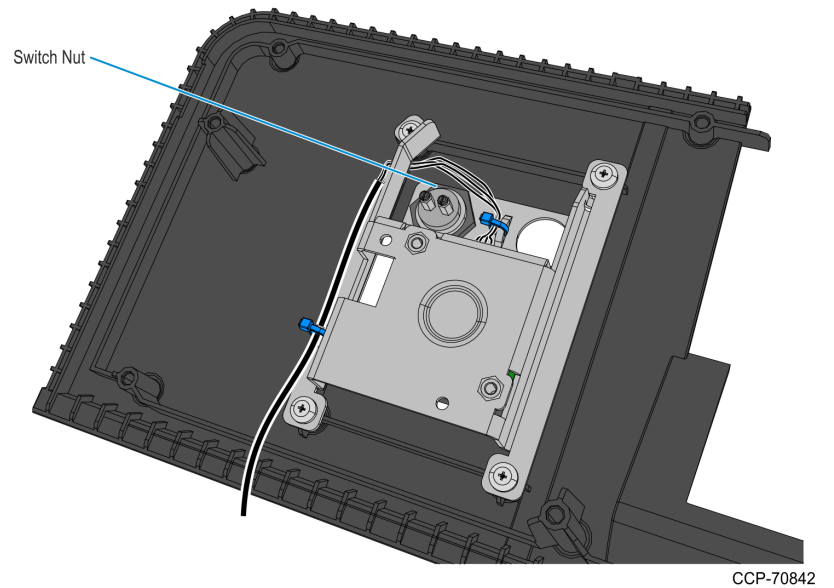


CCP-70839

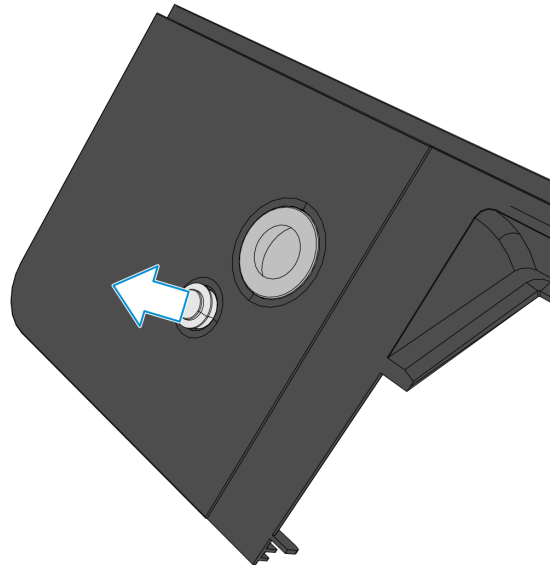
5. Remove the Trackball assembly from the Fascia Trim Panel.
 - a. Disconnect the Pushbutton Switch cable from the Trackball.



- b. Remove the nut (1) securing the Switch.

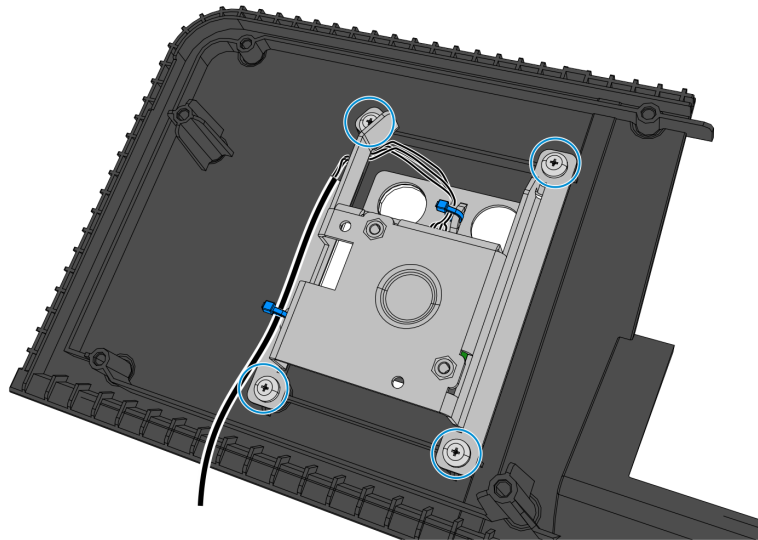


- c. Remove the Switch from the Fascia Trim Panel.



CCP-70843

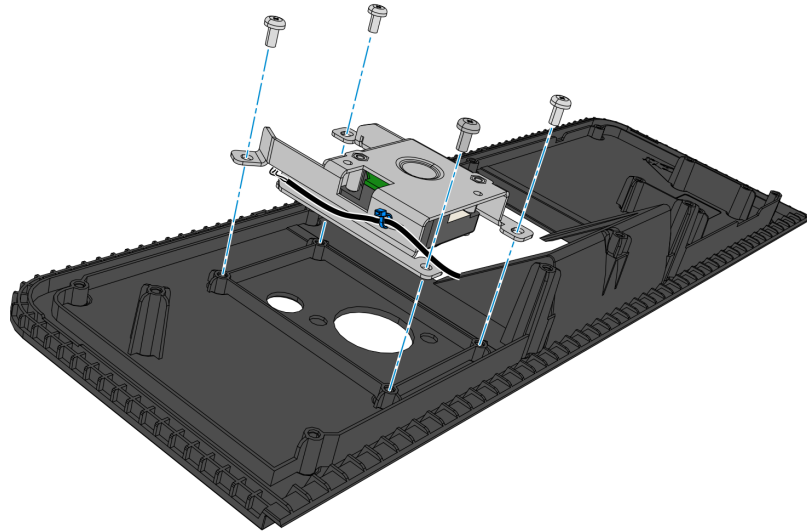
- d. Remove the screws (4) securing the Trackball module to the Fascia Trim Panel.



CCP-70844

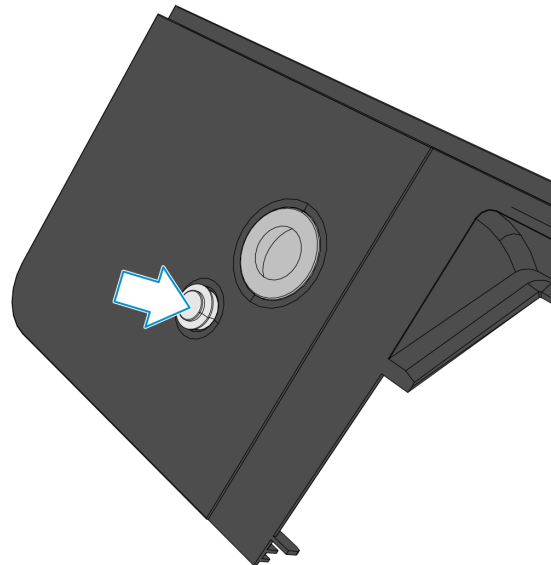
Installing the UX100 Fascia Trim Panel

1. Mount and secure the Trackball and Switch assembly to the UX100 Fascia Trim Panel.
 - a. Mount the Trackball and bracket assembly to the Fascia Trim and secure with screws (4).



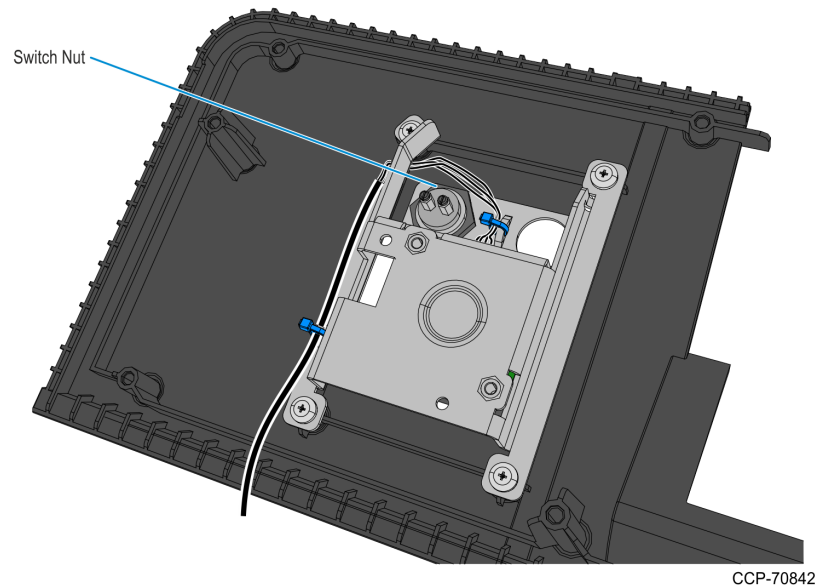
CCP-70845

- b. From the front side of the Fascia Trim, insert the Pushbutton Switch.

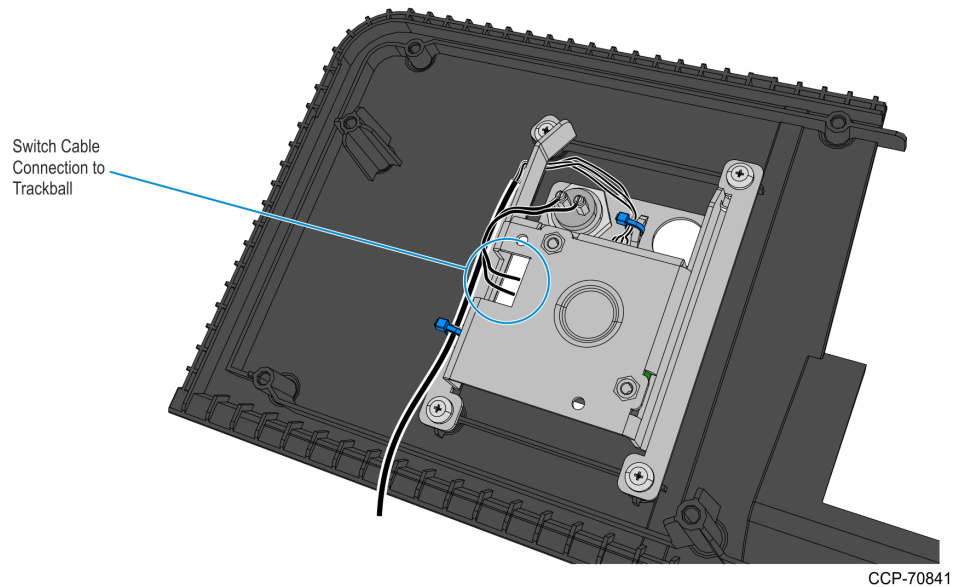


CCP-70846

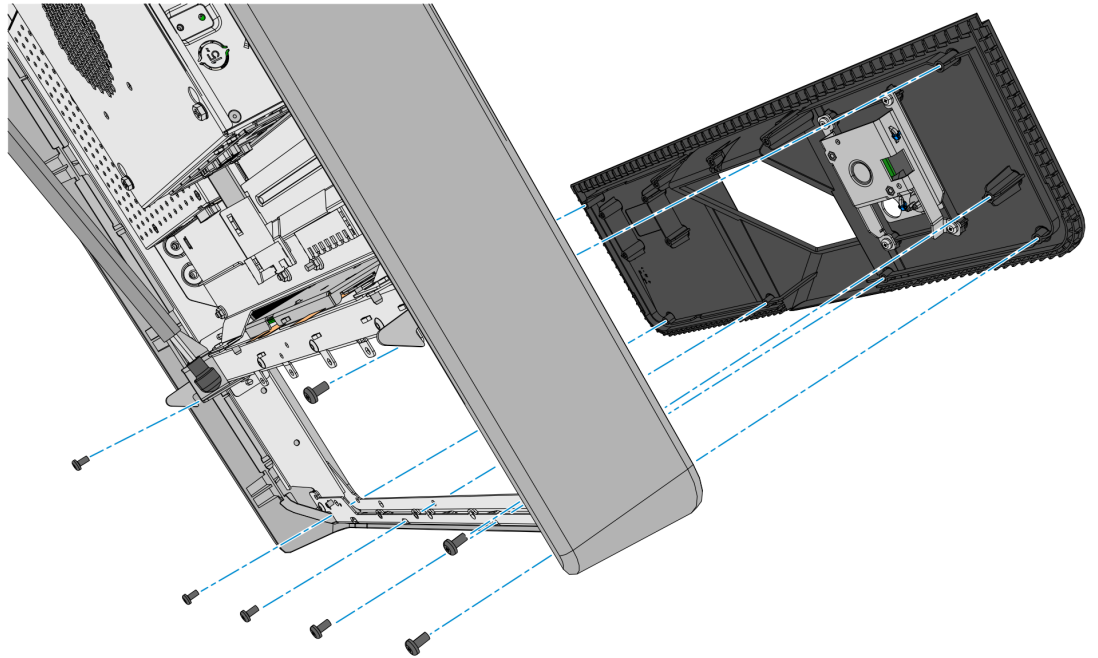
- c. Secure the Switch to the Fascia with a nut (1).



- d. Connect the Switch Cable to the Trackball module.

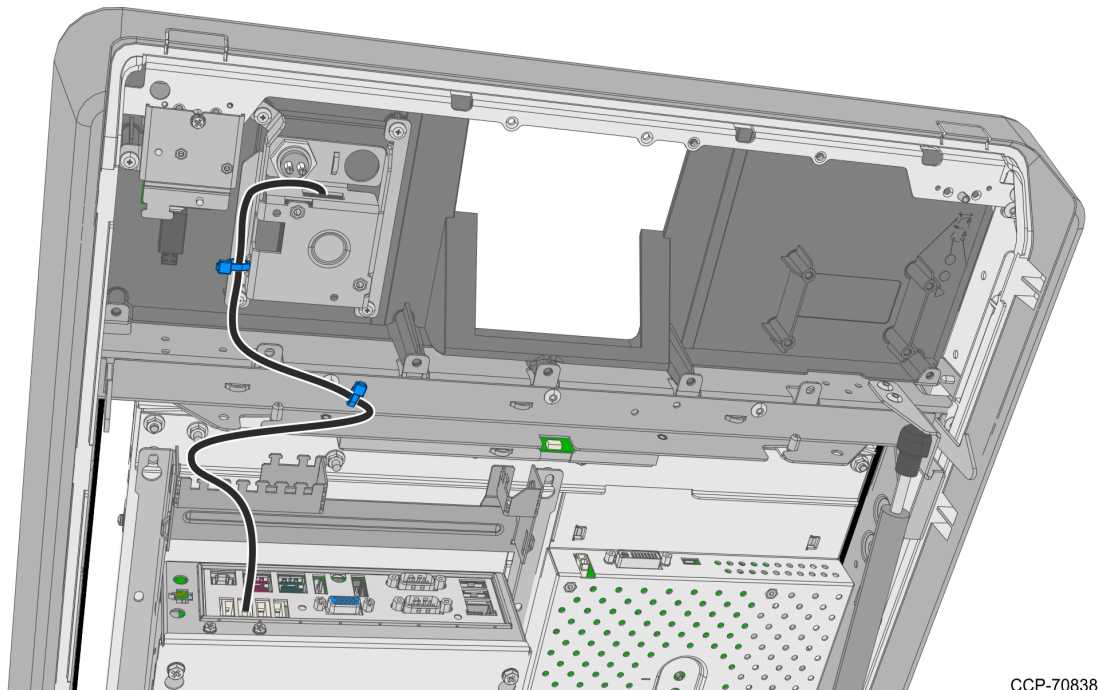


2. Mount the Fascia Trim Panel and Trackball assembly to the Kiosk and secure with screws (7).



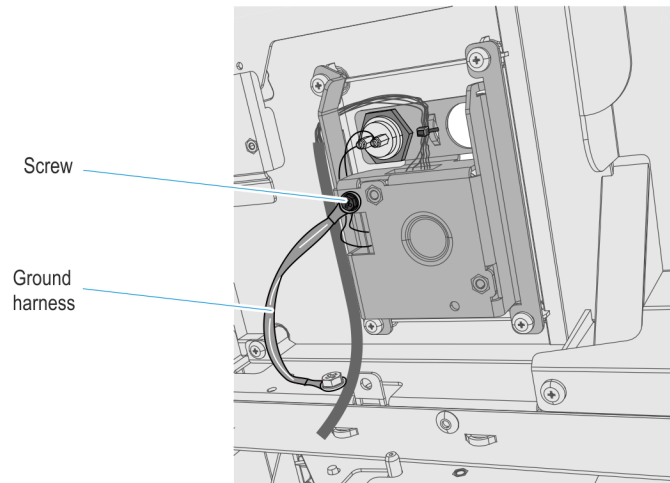
CCP-70847

3. Connect the Trackball USB Cable to the EBox. Secure the cable to the Fascia Frame and with other cables using cable ties.



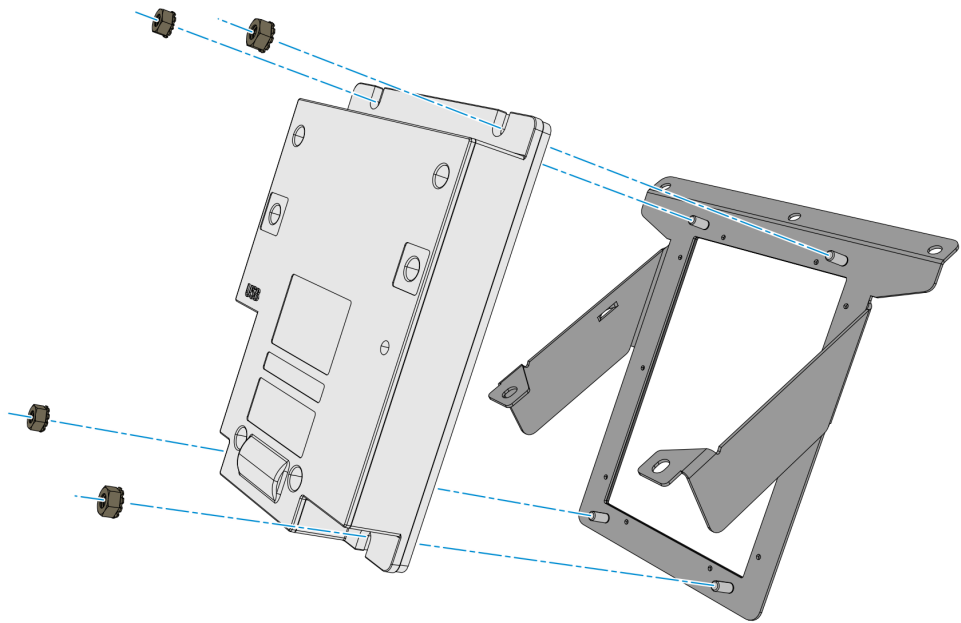
CCP-70838

4. Mount and secure the Trackball Ground Harness to the Trackball Bracket with a screw (1).



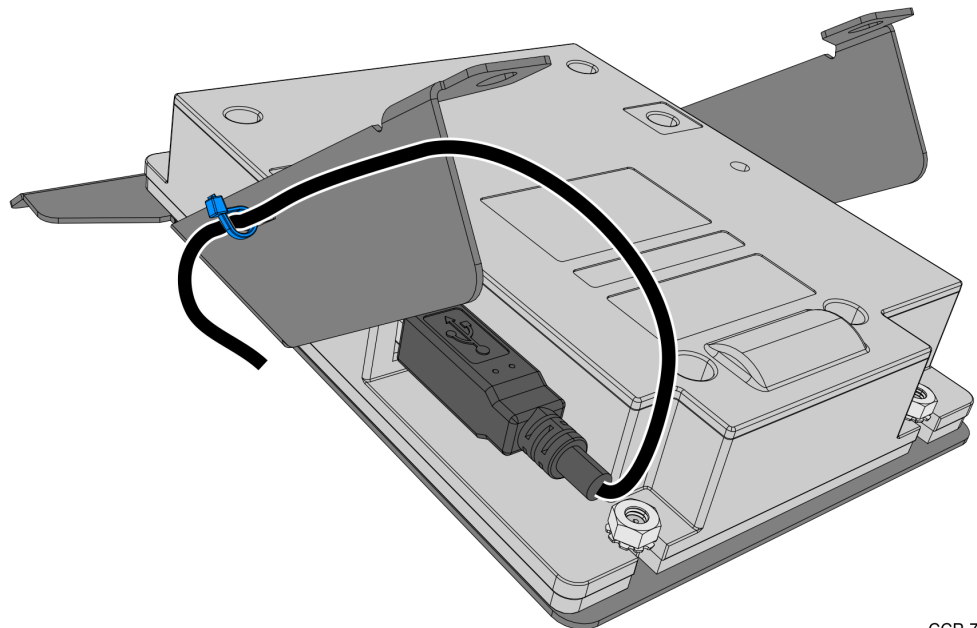
Installing the Verifone UX100 PIN Pad

1. Mount the UX100 PIN Pad on the UX100 7705 Bracket and secure with nuts (4).



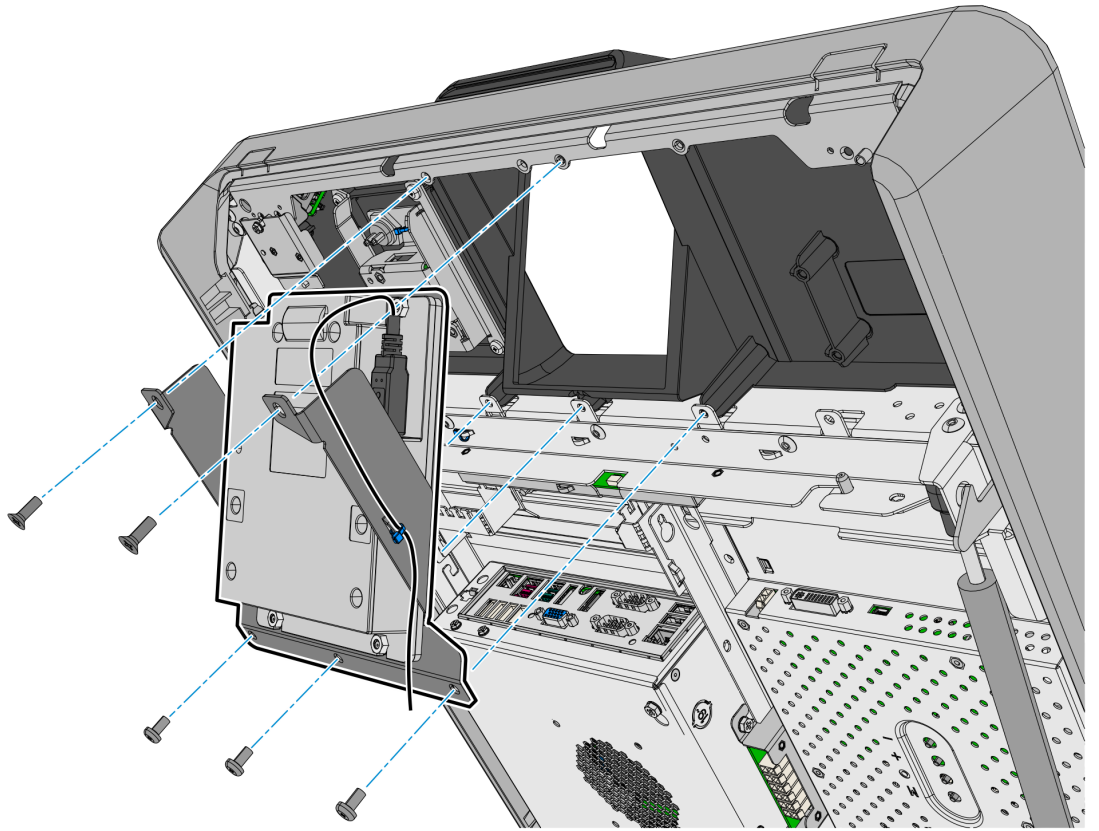
CCP-70849

2. Connect the MSR to PIN Pad USB cable (009-021027) to the UX100 PIN Pad. Route the cable over the bracket arm and secure with a cable tie.



CCP-70850

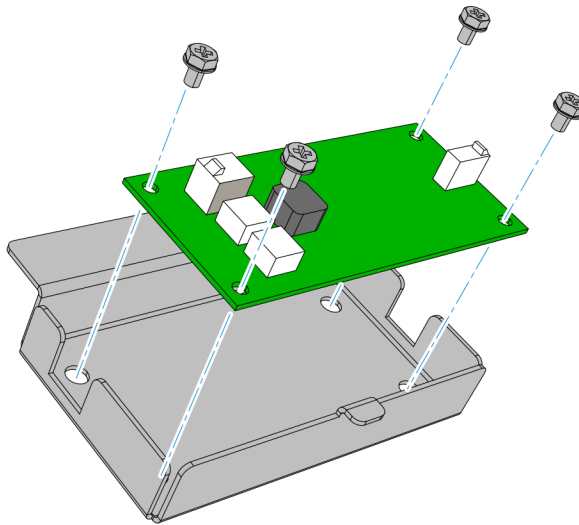
3. Mount the PIN Pad and bracket assembly on the Fascia Trim Panel and secure with screws (5).
 - Use two M4x12 CSK screws (007-702123) to secure the PIN Pad assembly to the upper Fascia Frame
 - Use the remaining three M4 2x8 Plastite screws (006-106028) to secure the PIN Pad assembly to the lower Fascia Frame



CCP-70851

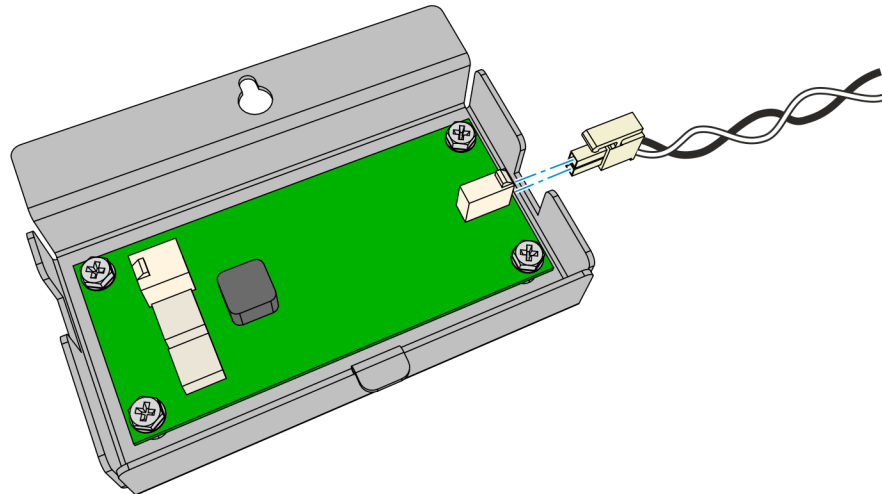
Installing the 12V Regulator Board

1. Mount and secure the 12V Regulator Board to the cover using four M4 screws.



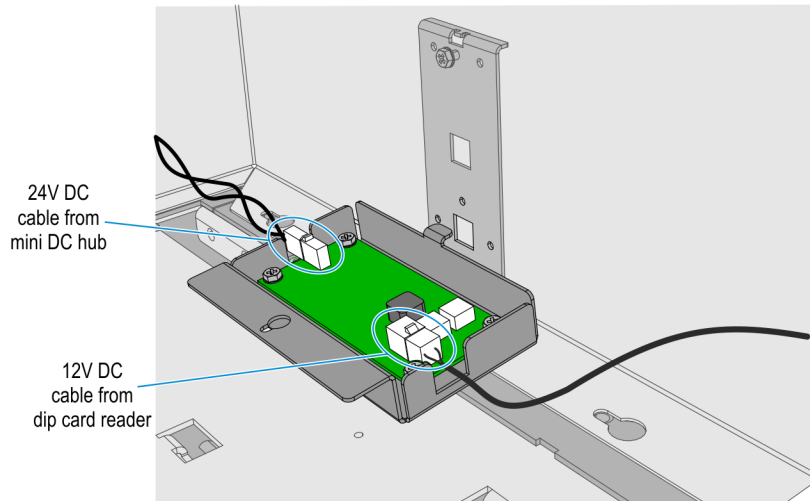
CCP-68080

2. Connect the Low Power DC Distribution Harness to the 12V regulator.



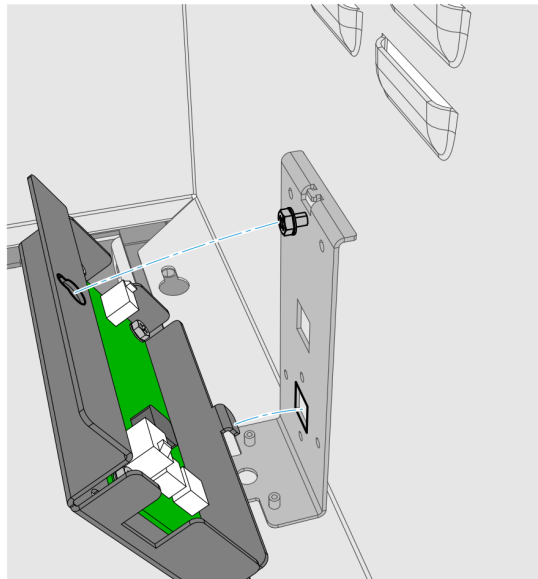
CCP-73129

3. Inside the Top Box, connect the MSR Power Cable from the UX300 MSR to the 12V Regulator Board.



CCP-68078

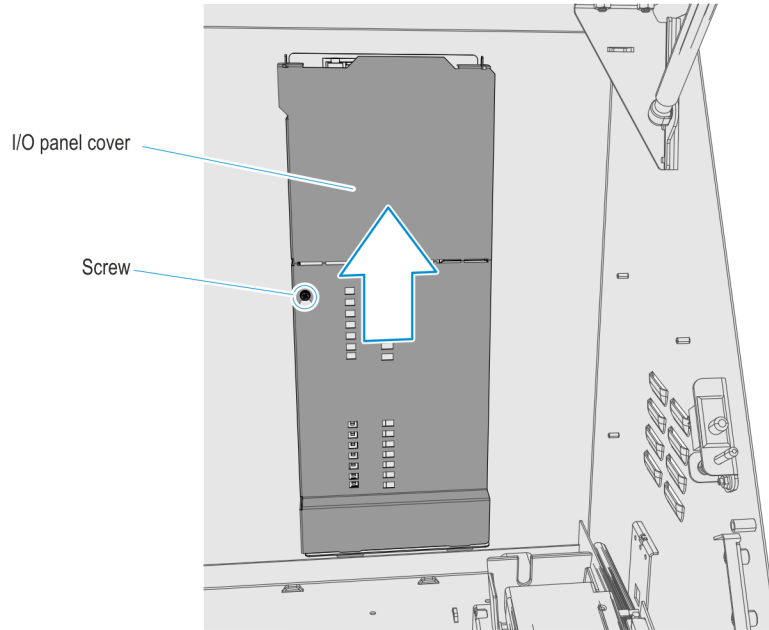
4. Mount and secure the 12V Regulator Board and Cover assembly to the Top Box.
 - a. Mount and partially tighten an M4 thread forming screw to the regulator bracket on the Top Box.
 - b. Insert the tab on the bottom side of the cover through the bottom slot on the regulator bracket.
 - c. Insert the Keyhole Slot on the cover through the M4 screw on the regulator bracket.



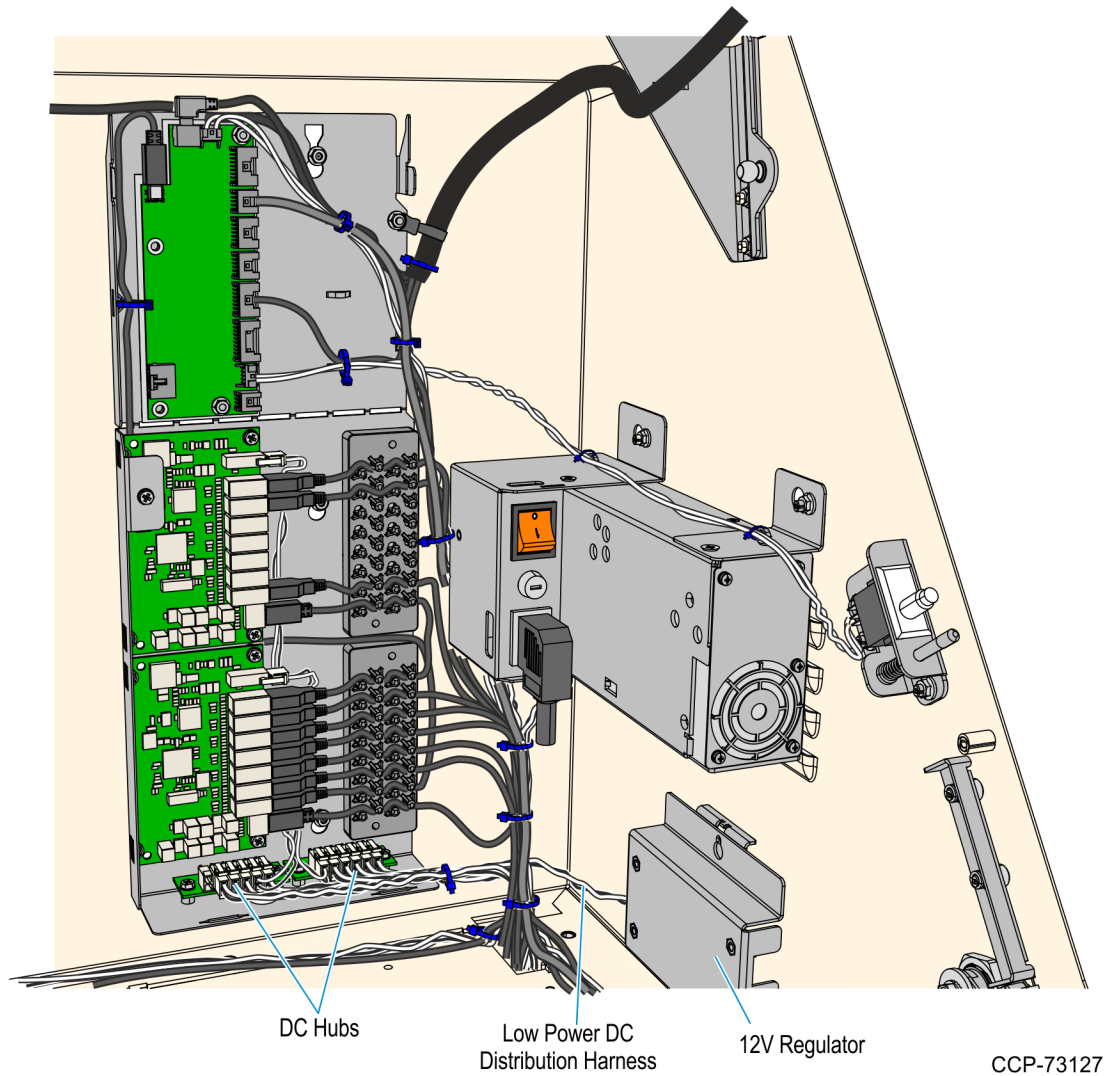
CCP-68081

- d. Tighten the screw to secure the 12V Regulator assembly.

5. Remove the Top Box I/O Panel Cover.
 - a. Loosen the screw (1) that secures the I/O Panel Cover.
 - b. Slide the cover upwards to unlatch its hooks from the I/O Panel.



6. Connect the Low Power DC Distribution Harness from the 12V Regulator to a free DC Hub port. Secure the cable with other DC cables using cable ties as necessary.



Routing the PIN Pad and MSR Cables

After the UX100 PIN Pad, UX300 MSR, and 12V Regulator have been installed, route and connect the following cables to the kiosk:

- [MSR to PIN Pad USB Cable](#) (009-0021027 - Cable-USB Type A to Type B High Speed)
- [PIN Pad Ground Harness](#) - this harness is customer supplied
- [UX300 MSR USB Cable](#) (497-0441898 - Cable-Communications USB, 1m, Black)

See the [Interconnection Diagram](#) section for information on the connections of the UX100 PIN Pad and UX300 MSR to the 7705 Kiosk.

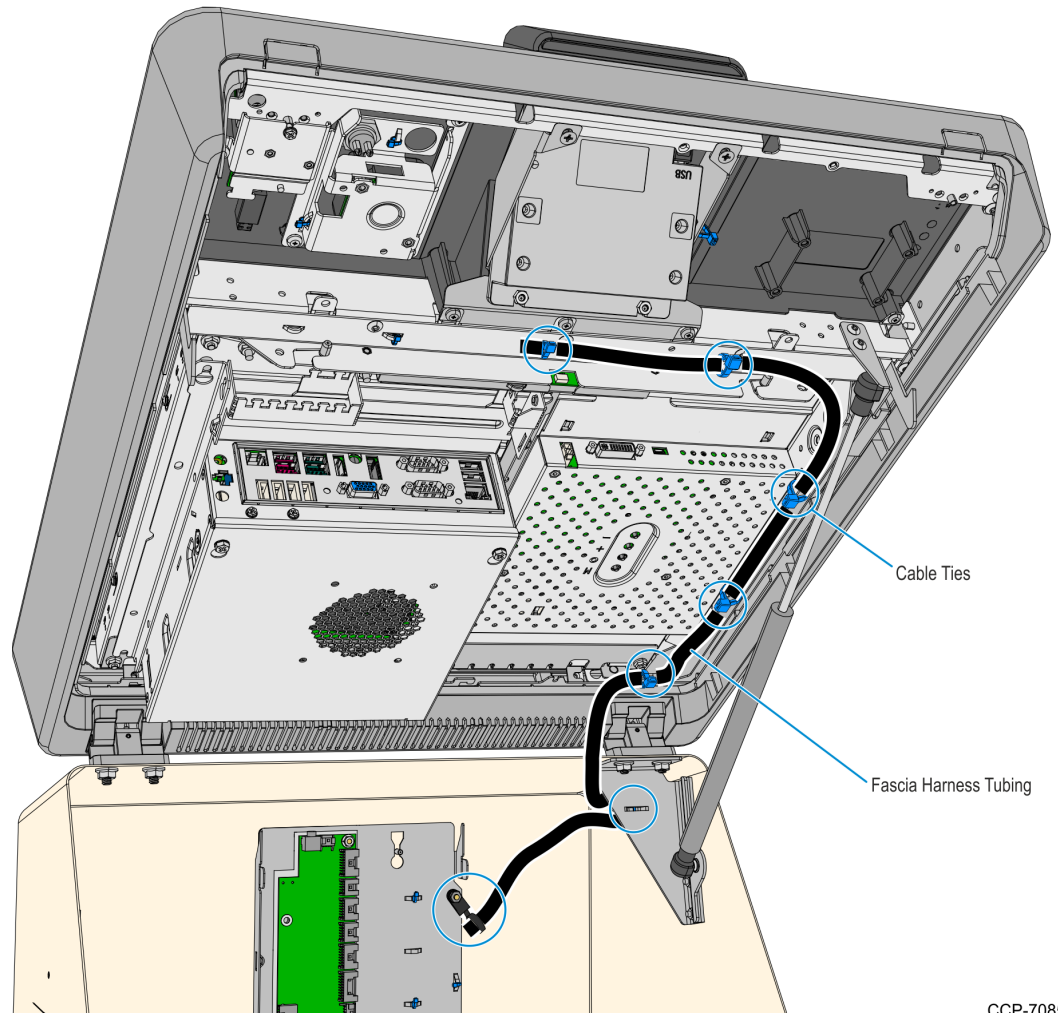
If a Sankyo MSR was installed on the Kiosk, the following cables need to be removed from the Kiosk:

- Sankyo MSR to EBox USB Cable
- Sankyo MSR Power Cable

MSR to PIN Pad USB Cable

The MSR to PIN Pad USB Cable is routed from the UX100 PIN Pad along the Fascia to the Top Box through the Fascia Harness Tubing and then to the UX300 MSR.

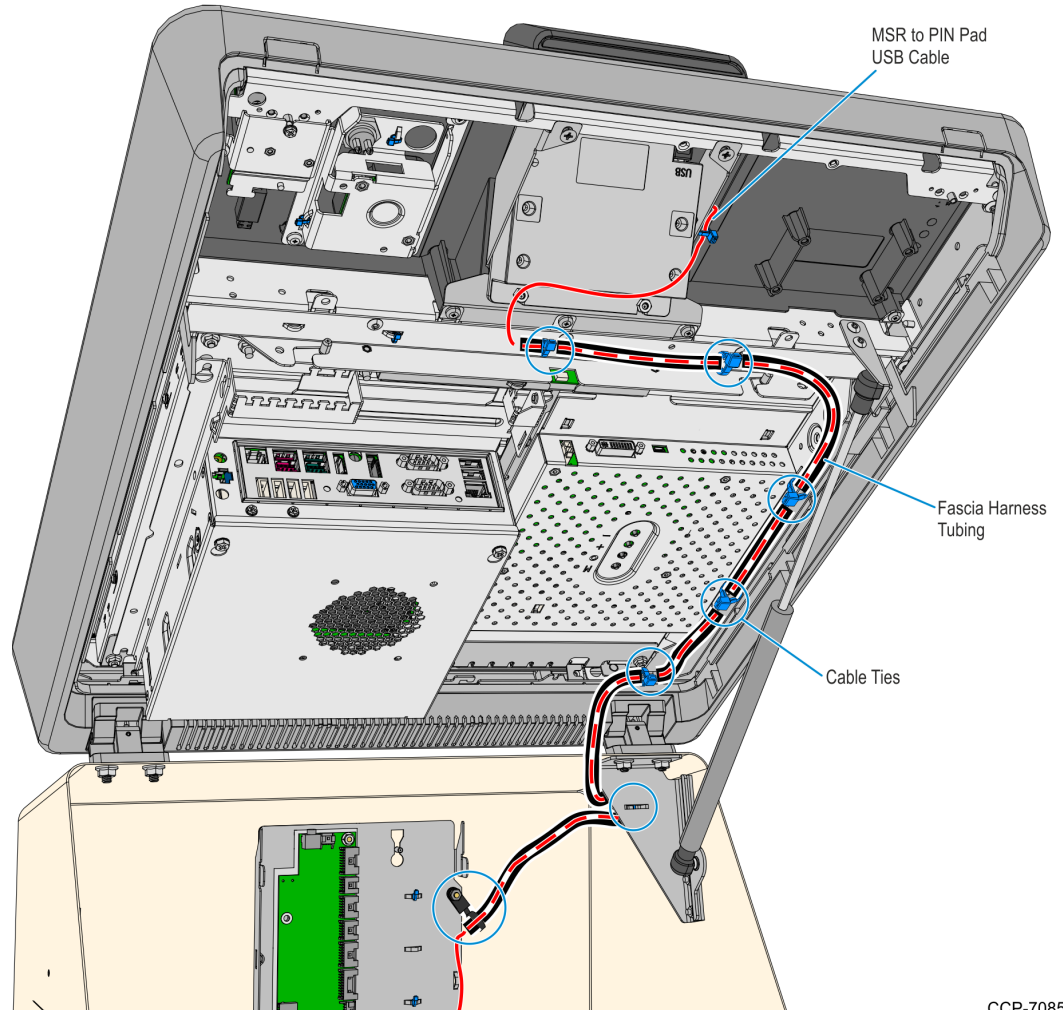
1. Remove the cable ties (7) securing the Fascia Harness to the Fascia and Top Box.



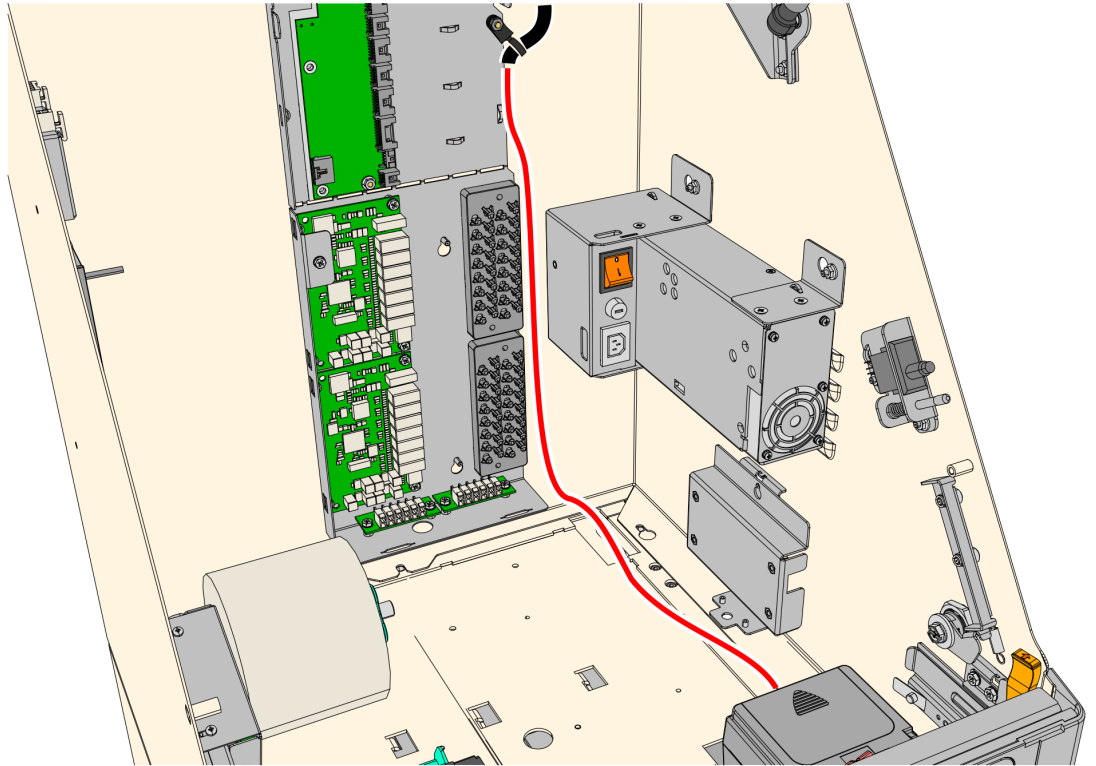
CCP-70853

2. If a Sankyo MSR was installed in the Kiosk, remove the Sankyo MSR to EBox USB Cable from the Fascia Harness Tubing.
3. Insert the MSR to PIN Pad USB Cable into the Fascia Harness Tubing. Place the excess cable length on the base of the Top Box.

4. Route the Fascia Harness from the Fascia to the Top Box I/O Panel and secure with cable ties (7).



5. Route the MSR to PIN USB cable length towards the base of the Top Box together with other cables. Secure the USB cable with cable ties as necessary.

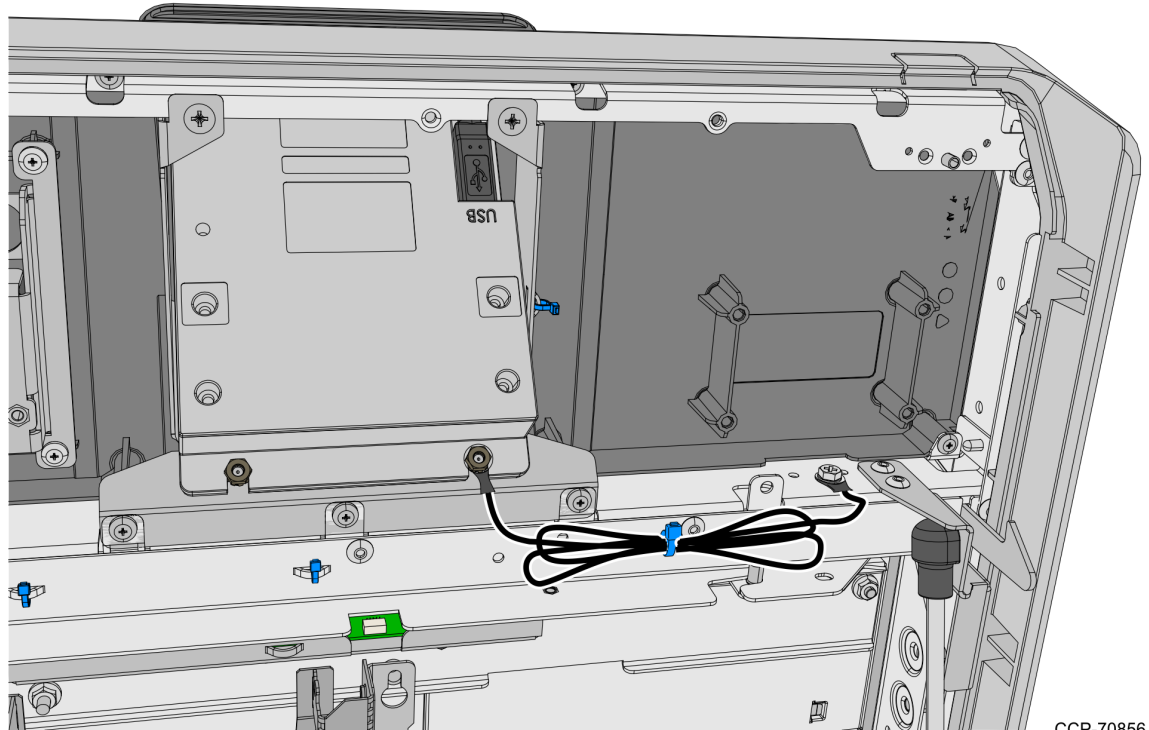


CCP-70855

6. Place the excess cable length on the Top Box together with other cables.

PIN Pad Ground Harness

1. Secure the PIN Pad Ground Harness to the right-hand side of the Fascia Frame Bracket with a screw (1).
2. Secure the Ground Harness to the PIN Pad with a nut (1).
3. Bundle the excess cable length and secure the bundle to the Fascia Frame Bracket with a cable tie.



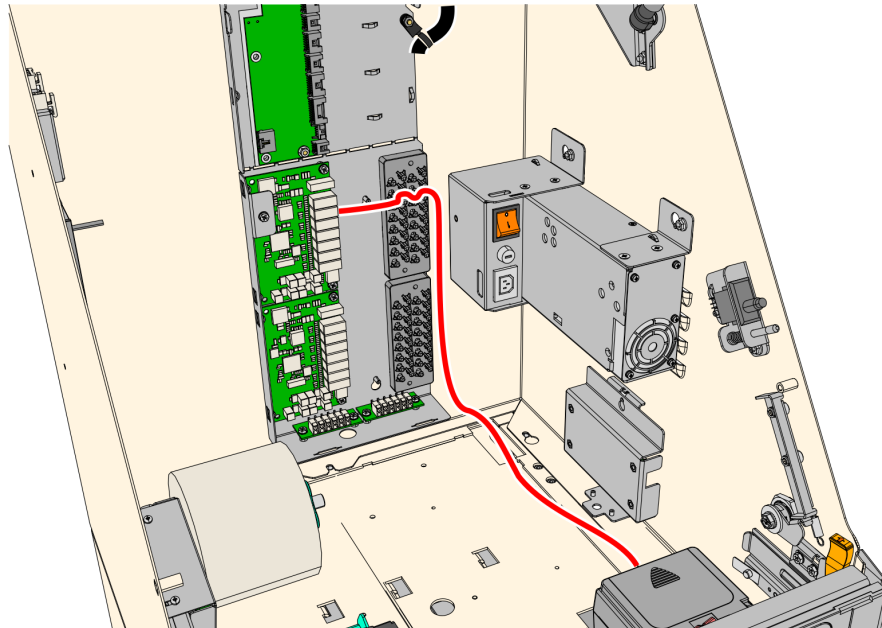
CCP-70856

UX300 MSR USB Cable

1. Connect the Type A connector of the MSR USB cable to one of the USB Ports on the USB Hub in the I/O Panel.

The Kiosk may either have one USB HUB or two USB Hubs depending on the Kiosk configuration.

- Single Hub Kiosks - connect the USB cable to the free port on the USB Hub.
 - Dual Hub Kiosks - connect the USB cable to one of the USB Ports on the upper USB Hub.
2. Route the cable along the Cable Strain Relief Bracket.
 3. Route the cable downward, together with other cables, towards the base of the Top Box.
 4. Place the excess cable length on the Top Box together with other cables.



CCP-70857

5. Mount and secure the I/O Panel Cover.
 - a. At the bottom part of the I/O Panel, align the tabs on the cover to the slot of the I/O Panel.
 - b. At the top part, of the I/O assembly, align the slots of the cover to the tabs on the I/O Panel.
 - c. Carefully slide the cover downwards inserting the tabs to the slots and mounting screw through the cover keyhole slot. Make sure that the cables are not pinched or snagged by the cover.
 - d. Tighten the screw to secure the cover to the panel.

Interconnection Diagram

The illustration below shows the UX100 and UX300 connection diagram with the NCR SelfServ 75 (7705) Kiosk.

