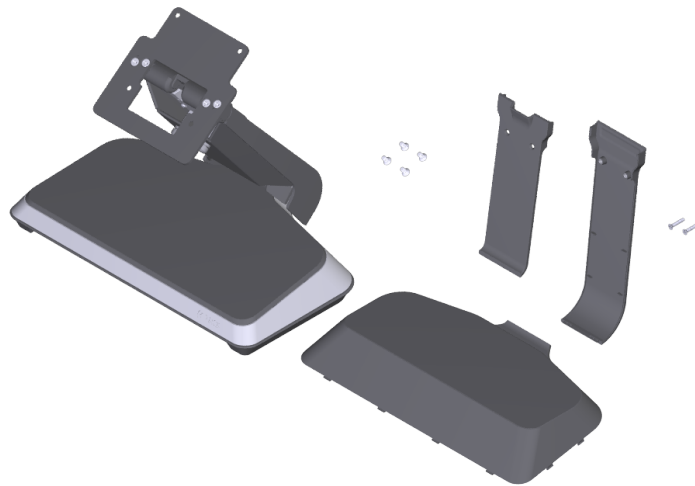




# Stand, CX7

## Kit Instructions

---



7772-K030

Issue C

# Copyright

---

The product described in this document is a licensed product of NCR Voyix Corporation.

NCR CX7 All-in-One POS (7772) is a trademark of NCR Voyix Corporation in the United States and/or other countries. Other product names mentioned in this publication may be trademarks or registered trademarks of their respective companies and are hereby acknowledged.

Where creation of derivative works, modifications or copies of this NCR Voyix copyrighted documentation is permitted under the terms and conditions of an agreement you have with NCR Voyix, NCR Voyix's copyright notice must be included.

It is the policy of NCR Voyix Corporation to improve products as new technology, components, software, and firmware become available. NCR Voyix, therefore, reserves the right to change specifications without prior notice.

All features, functions, and operations described herein may not be marketed by NCR Voyix in all parts of the world. In some instances, photographs are of equipment prototypes. Therefore, before using this document, consult with your NCR Voyix representative or NCR Voyix office for information that is applicable and current.

Copyright © 2021–2024  
By NCR Voyix Corporation  
Atlanta, Georgia, USA  
All Rights Reserved

# Table of Contents

---

---

<b>Copyright</b> .....	<b>2</b>
<b>Stand, CX7</b> .....	<b>5</b>
Kit Contents .....	5
Installation Procedure .....	7
Installing the Stand .....	7
Installing the Integrated Power Supply .....	11
Changing the Neck Covers .....	19

# Revision Record

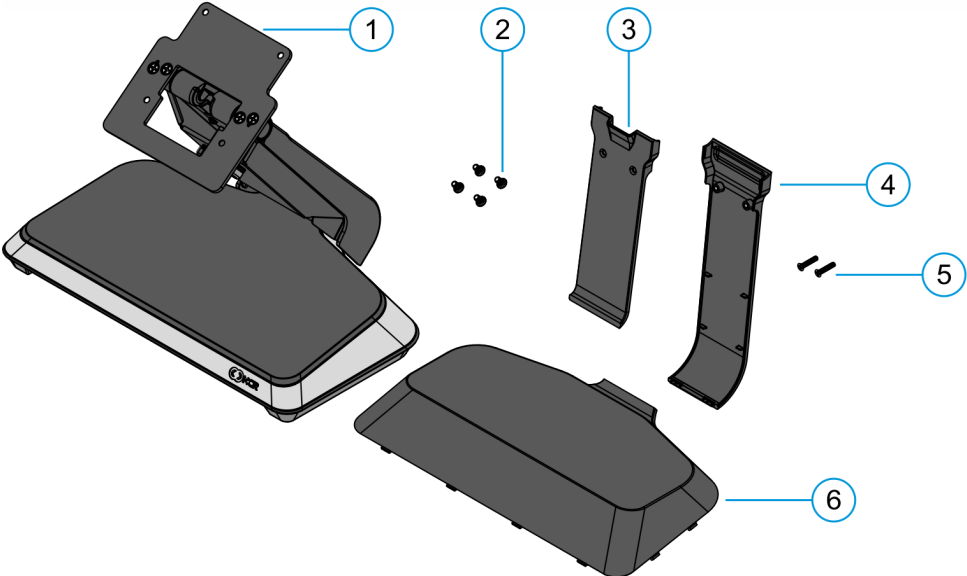
---

Issue	Date	Remarks
A	Sep 2021	First Issue
B	Dec 2021	Added Warning statement
C	Jan 2022	Updated routing for Power Supply Cable

# Stand, CX7

This kit provides a Stand for the NCR CX7 All-in-One POS (7772) or NCR CX5 All-in-One POS (7773).

## Kit Contents



CCP-81524

Item	Part Number	Description
1	<b>Stand Assembly</b>	
	497-0523815	Base, HSG, Cast, Silver
	497-0523819	Neck, Center, Cast, Silver
	497-0523775	Base, Trim, Bottom, Blk7
	497-0523779	Base, Foot, Center, Blk7
	497-0524135	Base Feet, CX7, Blk7
	497-0528039	Hinge, CX, Blk7
	497-0523767	Base, Cover, Top, Remote Power Supply, Blk7
	497-0531326	Mounting Plate – VESA, CX7, Blk7
	497-0531317	Cover – Neck, CX7, Blk7 (Neck Cover)
	497-0531321	Door – Neck, CX7, Blk7 (Neck Door)
	006-0654018	Screw, Metric, SEMS, Phillips, Pan Head, M4x10, 10mm length
	006-8612048	Screw, M3x8, SEMS, Phillips, Pan Head, Steel, Z
	006-8622885	Screw, M4–0.7 x 8mm Flat Head, Machine, Knurled Head, Steel, Black Oxide
	006-8624893	Screw, M3x5, Steel, Flat Head, Phillips, Clear Zinc, w/ ND Nylon Patch
	006-8625003	Screw, SEMS, M4x14, Pan Head, Phillips
	006-8626665	Screw, M3x14mm, SEMS, Steel, Phillips, Pan Head, Zinc
006-8628206	Male–Female Threaded Hex Standoff, Steel, Zinc Plated, 16mm long, M4 x 0.70mm size, w/ ND Microspheres Thread Lock	
2	006-8622885	Screw, M4–0.7 x 8mm Flat Head, Machine, Knurled Head, Steel, Black Oxide
3	497-0523791	Neck, Inner, Black (Front Neck Cover)

Confidential and proprietary information of NCR Voyix.  
Use and disclose solely pursuant to company instructions.

Item	Part Number	Description
4	497-0523787	Neck, Outer, Black (Back Neck Cover)
5	006-8627391	Screw, M3x16, Flat Head, Black
6	497-0523771	Base, Cover, Integrated Power Supply, Blk7

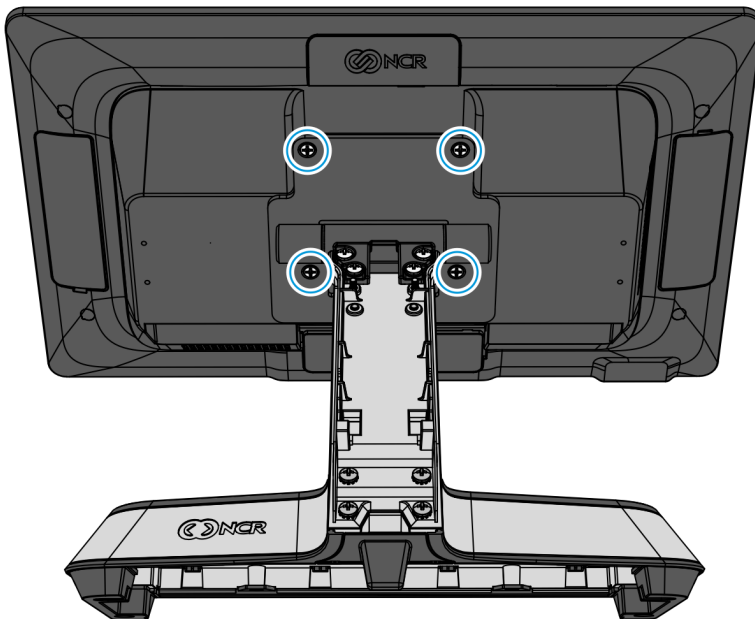
# Installation Procedure

## Installing the Stand

### Warning

Disconnect the AC power cord from the AC outlet and wait 30 seconds before servicing the terminal.

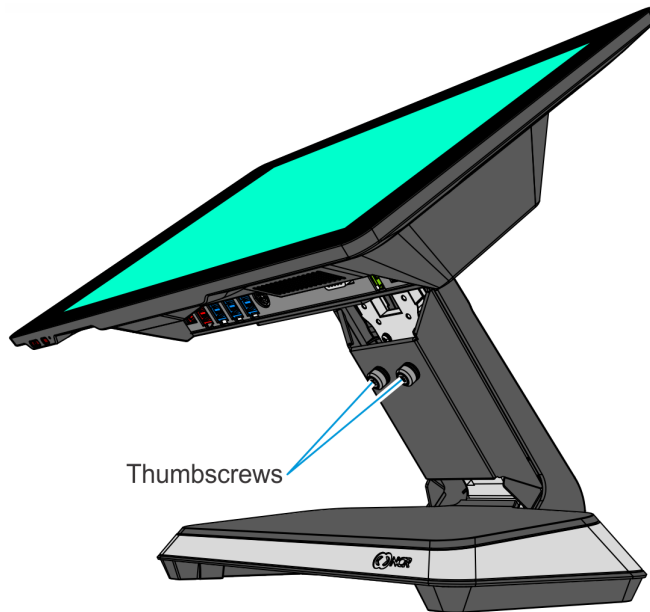
1. Install the CX7 with Integrated I/O on the Bracket (4 screws).  
For clarity, the Neck Cover is not shown in the illustration.



CCP-81525

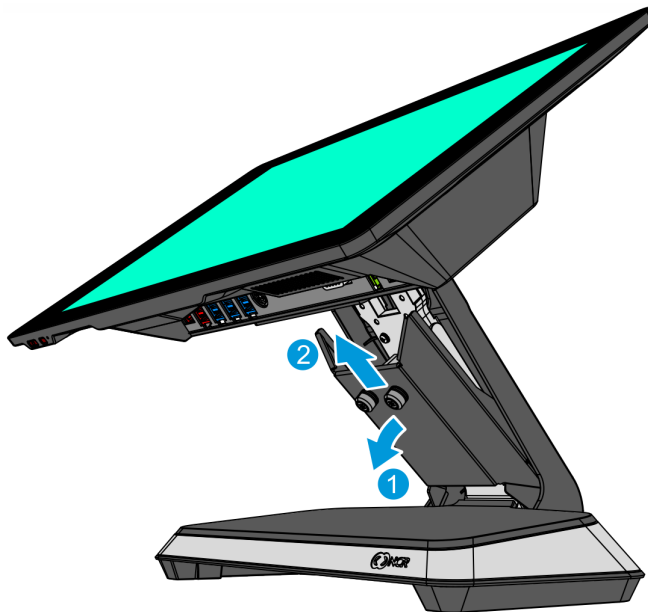
2. Remove the Neck Door.

- a. Loosen the two (2) thumbscrews on the Neck Door.



CCP-81526

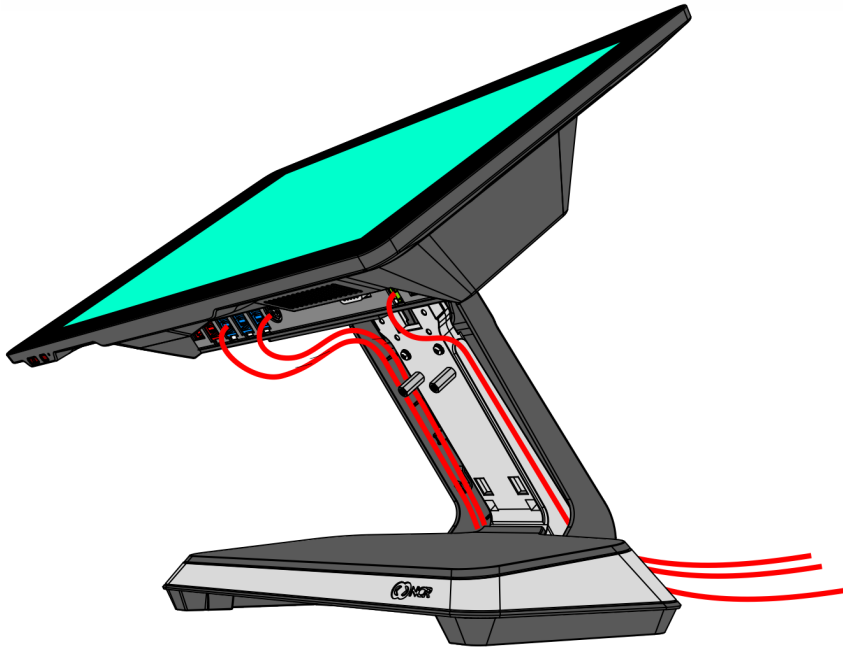
- b. Rotate the Door forward and pull out to remove.



CCP-81534

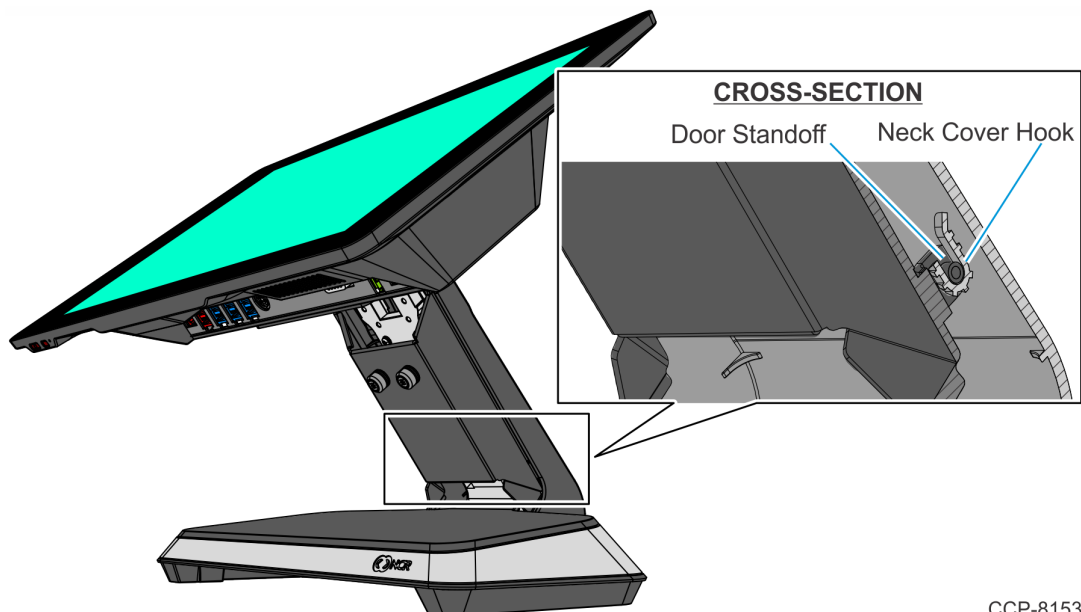


3. Connect the Cables to the I/O.
4. Route the Cables down the Neck as shown.



CCP-81529

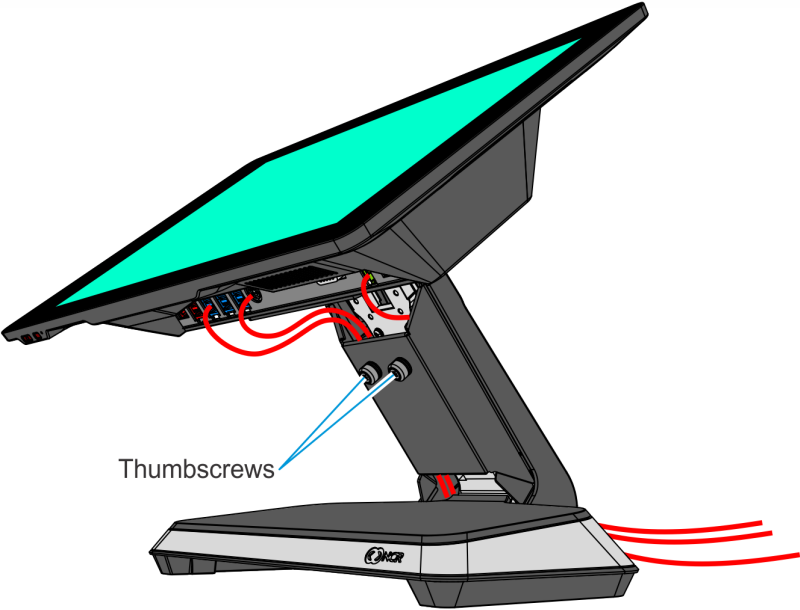
5. Reinstall the Neck Door.
  - a. Hook the Neck Door on the Neck Cover. Position the Door so that the door standoffs (one on each side) sit on the hooks on the inside of the neck cover (one on each side).



CCP-81536

Confidential and proprietary information of NCR Voyix.  
Use and disclose solely pursuant to company instructions.

b. Tighten the two (2) thumbscrews.



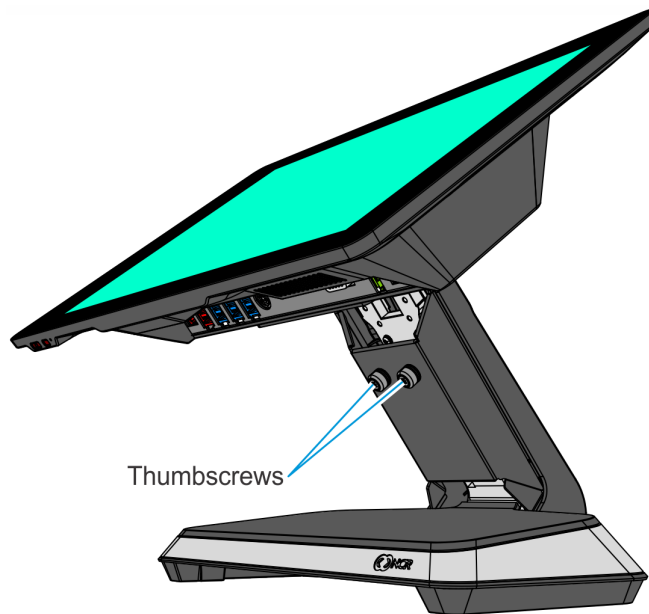
CCP-81527

# Installing the Integrated Power Supply

## Warning

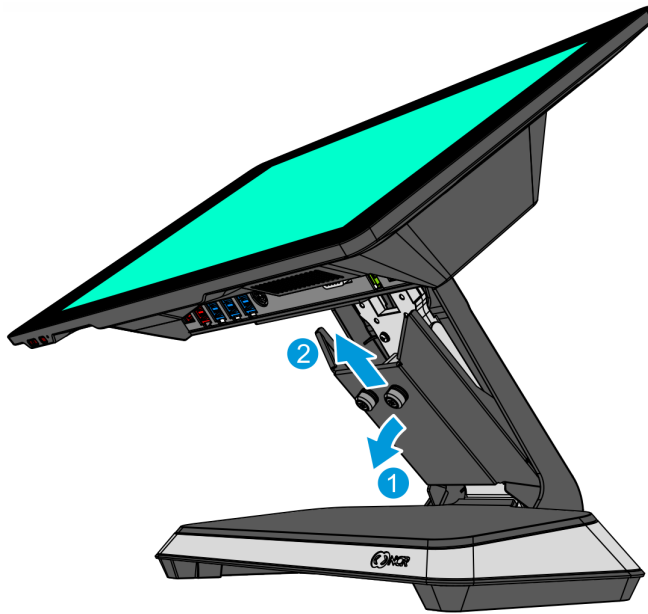
Disconnect the AC power cord from the AC outlet and wait 30 seconds before servicing the terminal.

1. Remove the Neck Door.
  - a. Loosen the two (2) thumbscrews on the Neck Door.



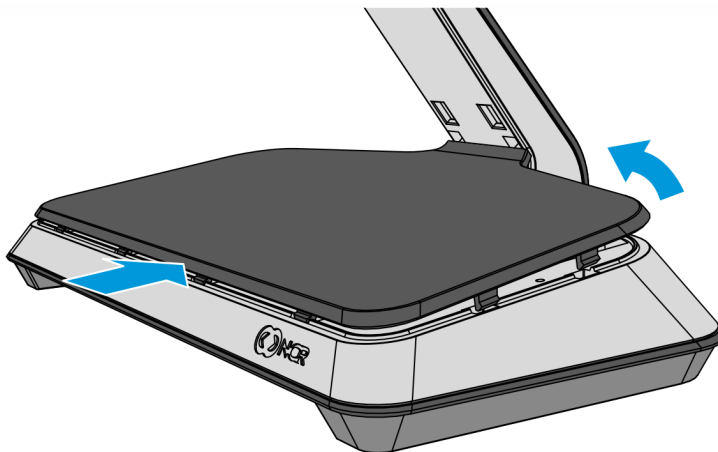
CCP-81526

b. Rotate the Door forward and pull out to remove.



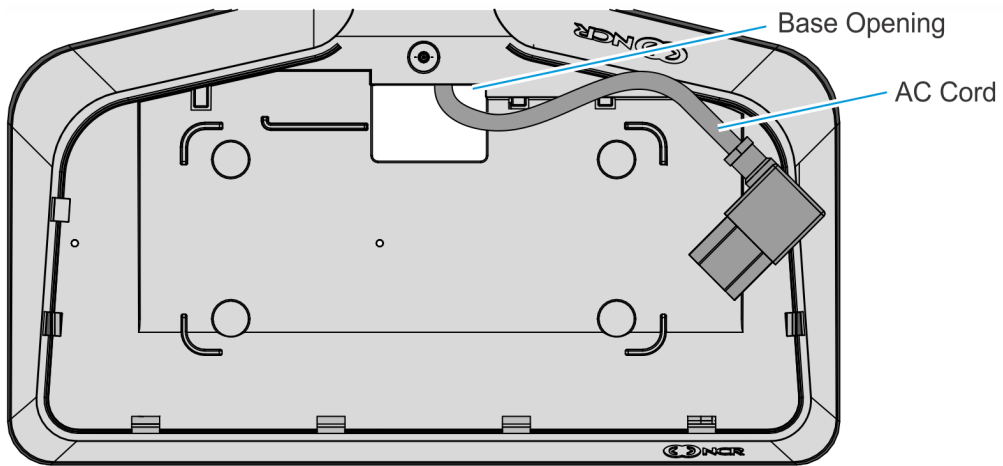
CCP-81534

2. Slightly push the front side of the Base Cover, then pivot the cover open.



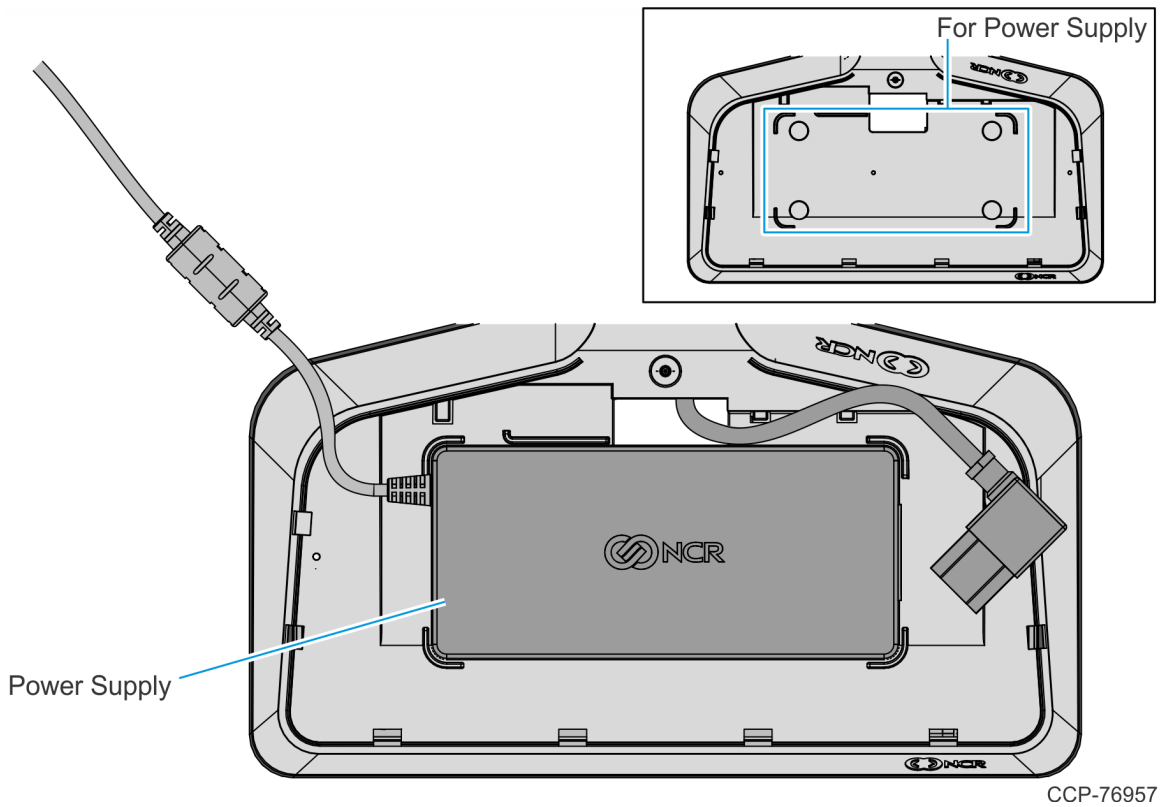
CCP-77006

3. Route the AC Cord up through the opening in the Base.



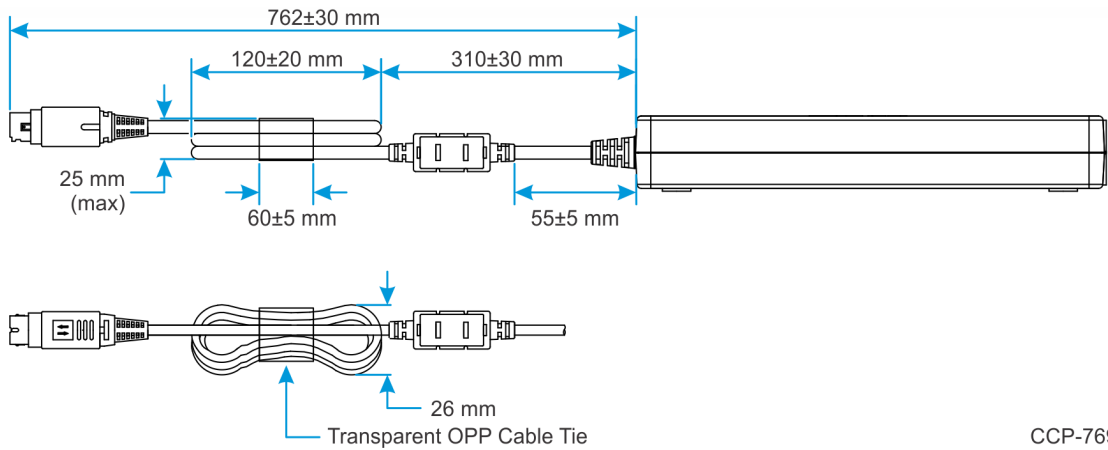
CCP-76956

4. Position the Power Supply in the recess on the Base.



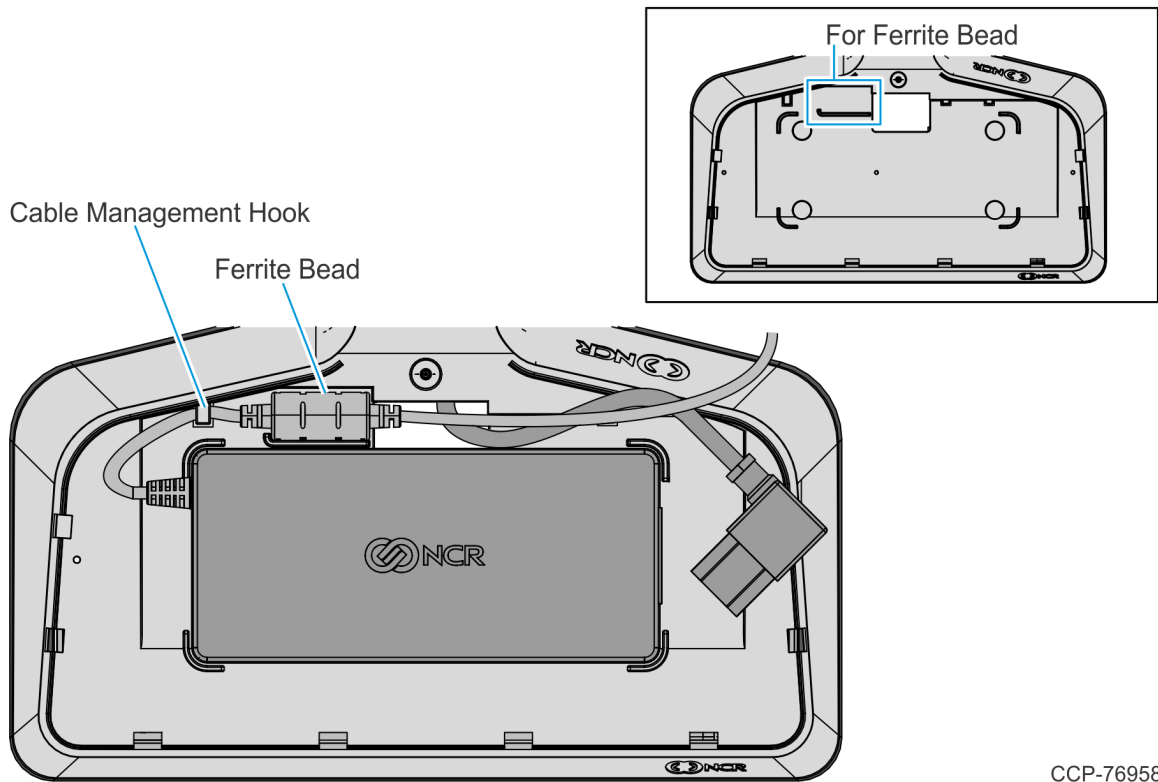
**Note**

The Power Supply Cable comes bundled as shown.



Confidential and proprietary information of NCR Voyix.  
Use and disclose solely pursuant to company instructions.

5. Set the Ferrite Bead in the small recess on the Base and secure the Cable under the Cable Management Hook.

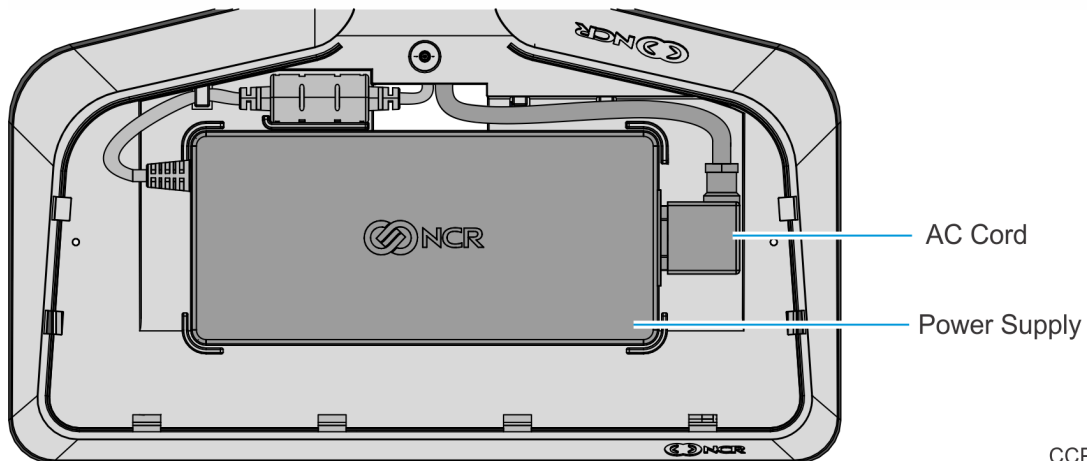


CCP-76958

6. Route the Power Supply Cable.

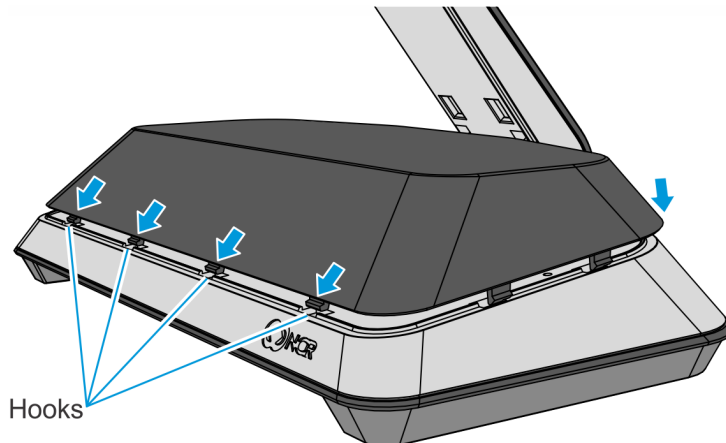
- a. Insert the DC Connector of the the Power Supply Cable down through the Base opening.
- b. On the underside of the Base, pull the DC Connector such that the excess cable is under the Base.

7. Connect the AC Cord to the Power Supply.



CCP-82165

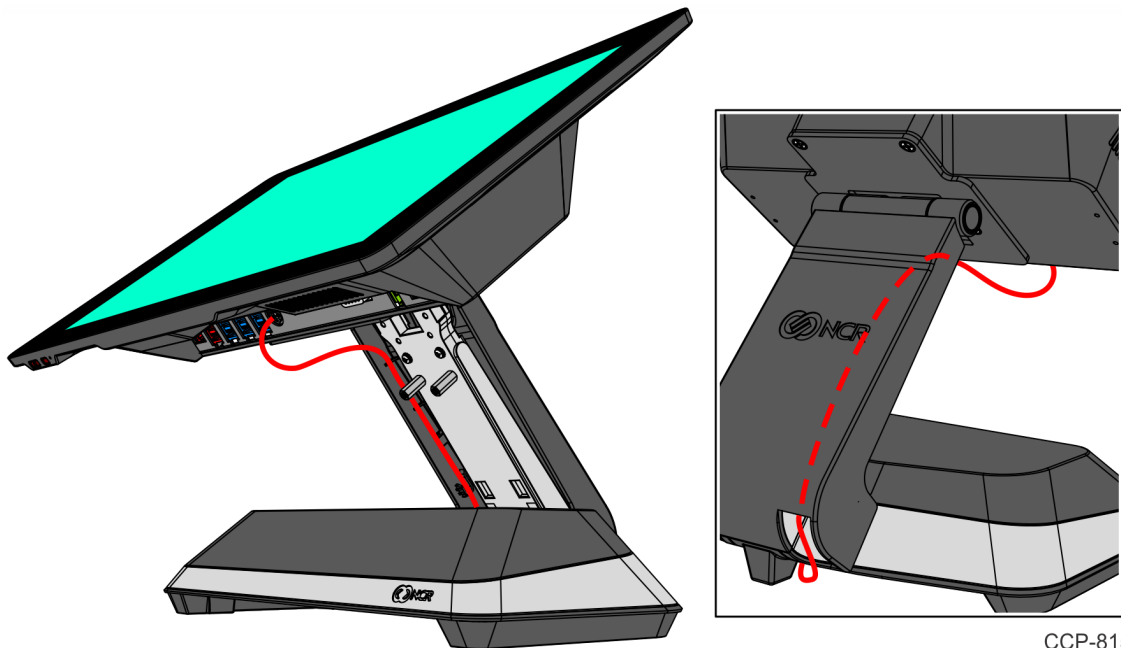
8. Hook the Base Cover into the Stand, then snap into place.



CCP-76978

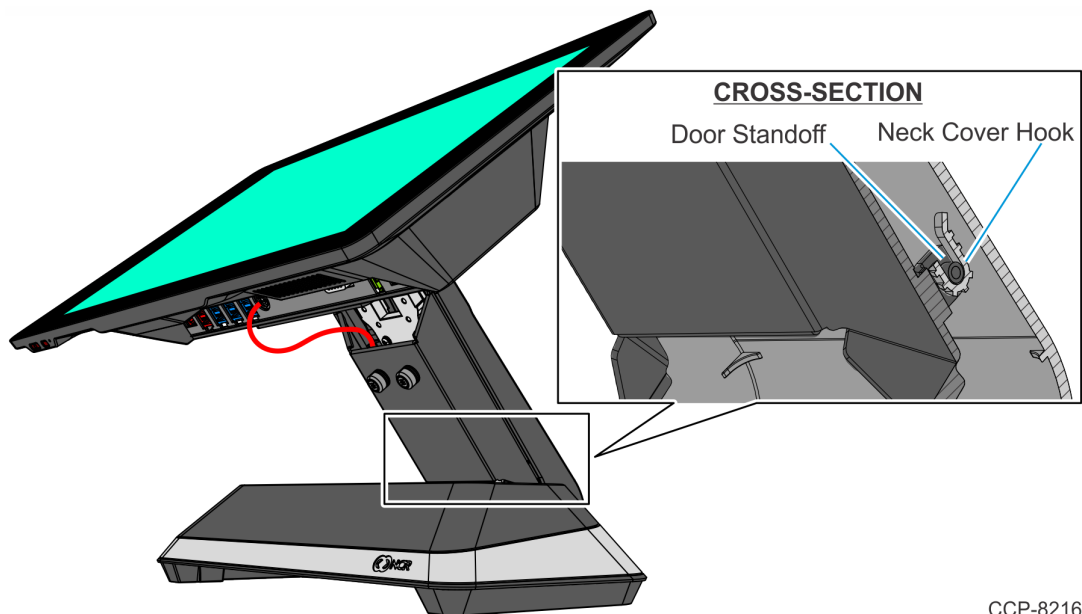


9. Route the Power Supply Cable up along the Neck as shown and insert the DC Connector into the Power In connector on the Integrated I/O.

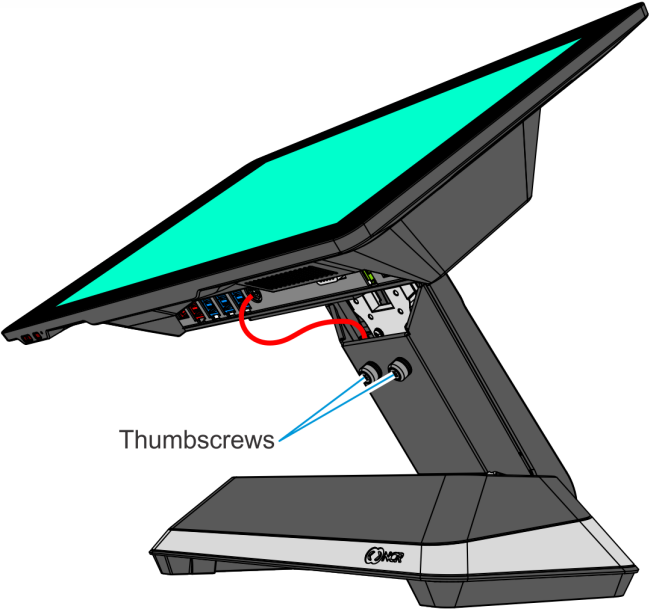


10. Reinstall the Neck Door.

- a. Hook the Neck Door on the Neck Cover. Position the Door so that the door standoffs (one on each side) sit on the hooks on the inside of the neck cover (one on each side).



b. Tighten the two (2) thumbscrews.

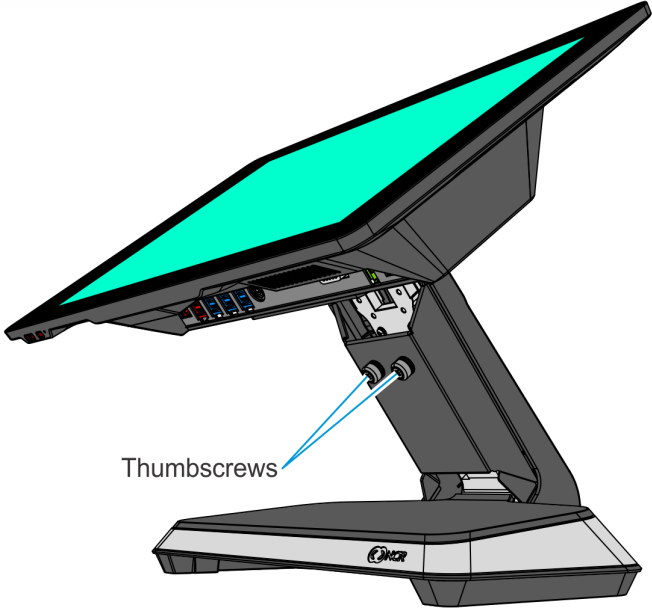


CCP-81530

# Changing the Neck Covers

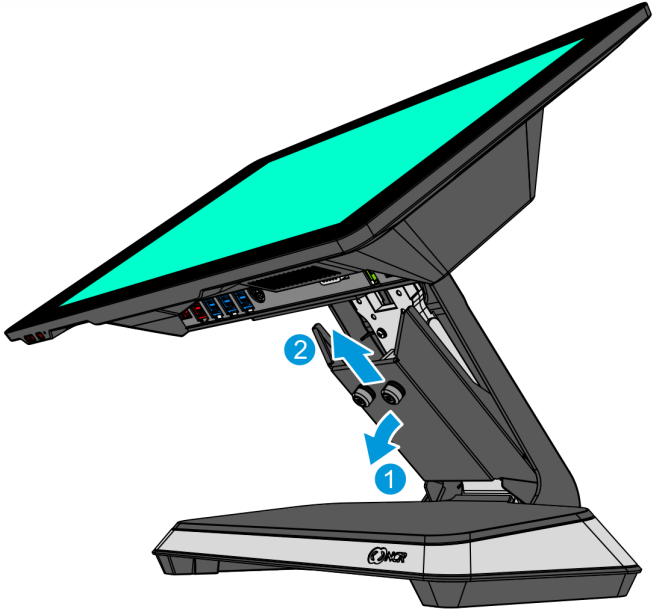
The kit includes an assembled stand with a wide neck cover and door to allow cable management. The neck covers can be changed to the standard front neck cover (497-0523791) and back neck cover (497-0523787), which are also included in the kit.

- 1. Remove the Neck Door.
  - a. Loosen the two (2) thumbscrews on the Neck Door.



CCP-81526

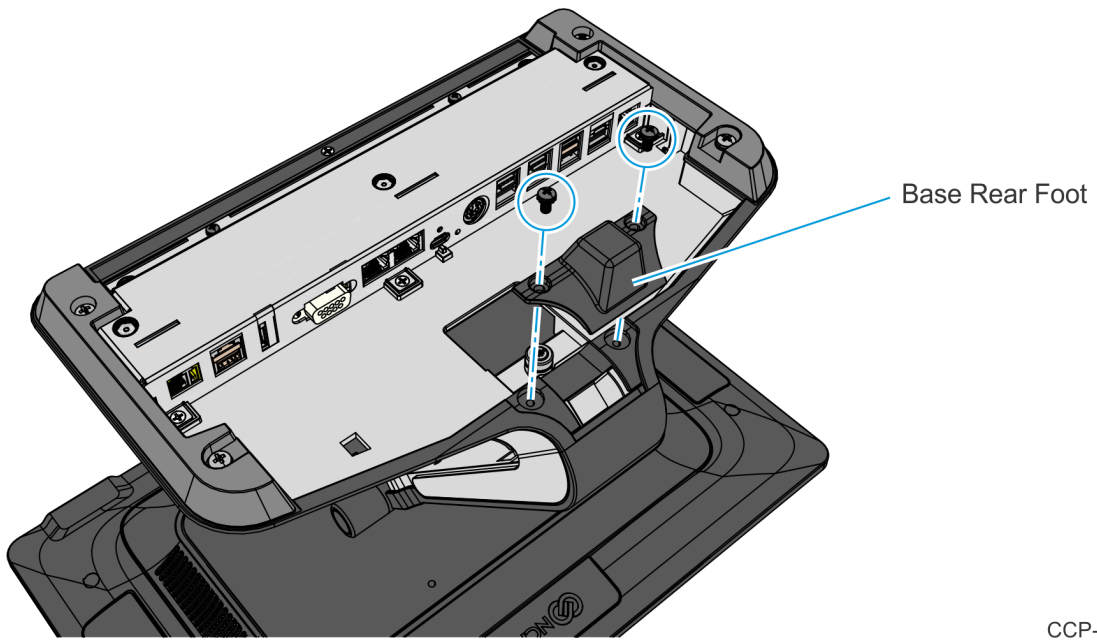
- b. Rotate the Door forward and pull out to remove.



CCP-81534

Confidential and proprietary information of NCR Voyix.  
Use and disclose solely pursuant to company instructions.

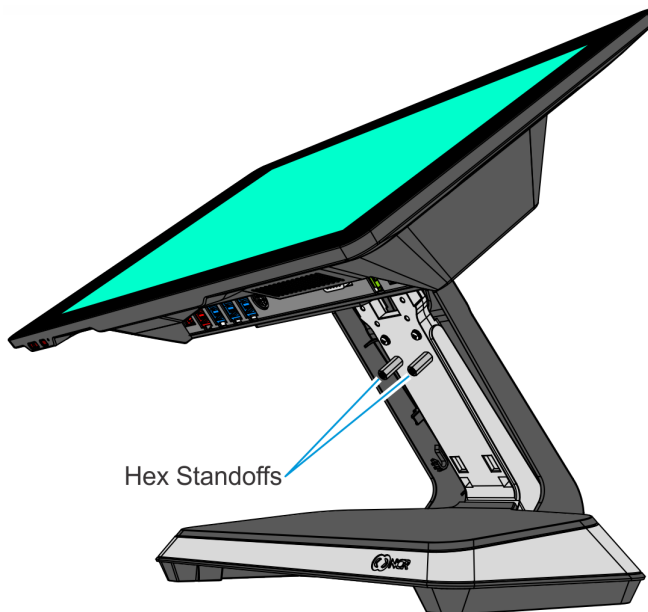
2. Remove the Base Rear Foot (2 screws).



CCP-76953

3. Remove the Neck Cover.

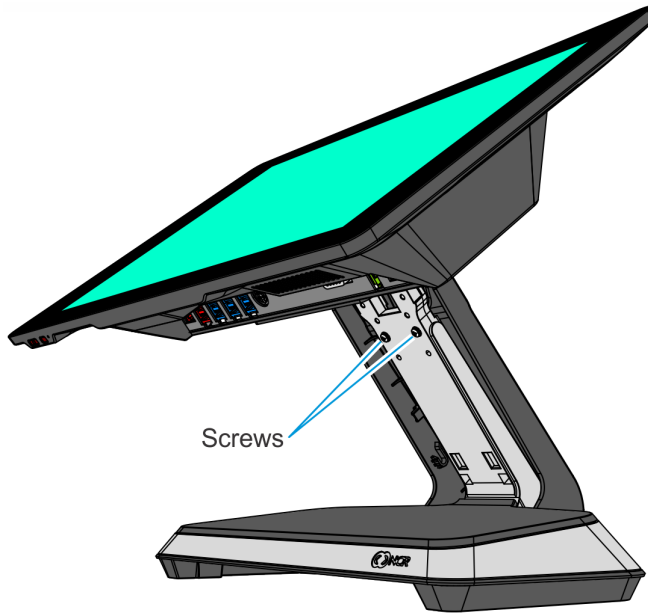
a. Remove the two (2) Hex Standoffs from the Neck.



CCP-81532

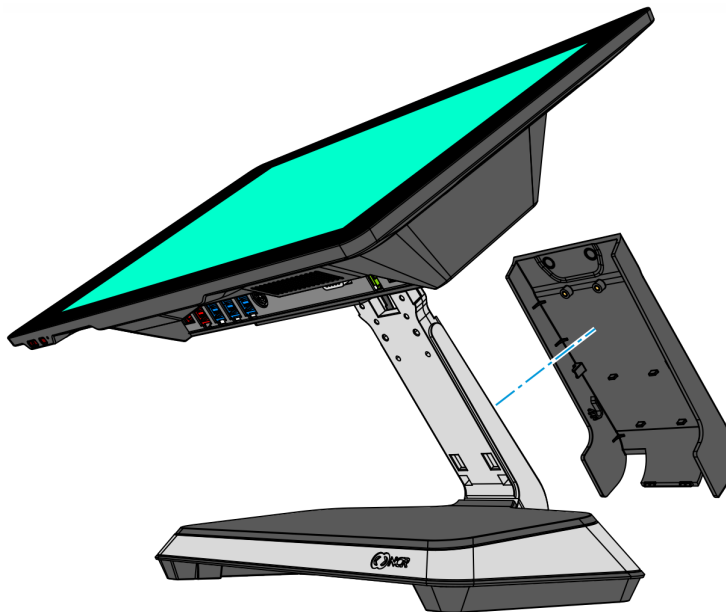
Confidential and proprietary information of NCR Voyix.  
Use and disclose solely pursuant to company instructions.

- b. Remove the two (2) screws that secure the Neck Cover to the Neck.



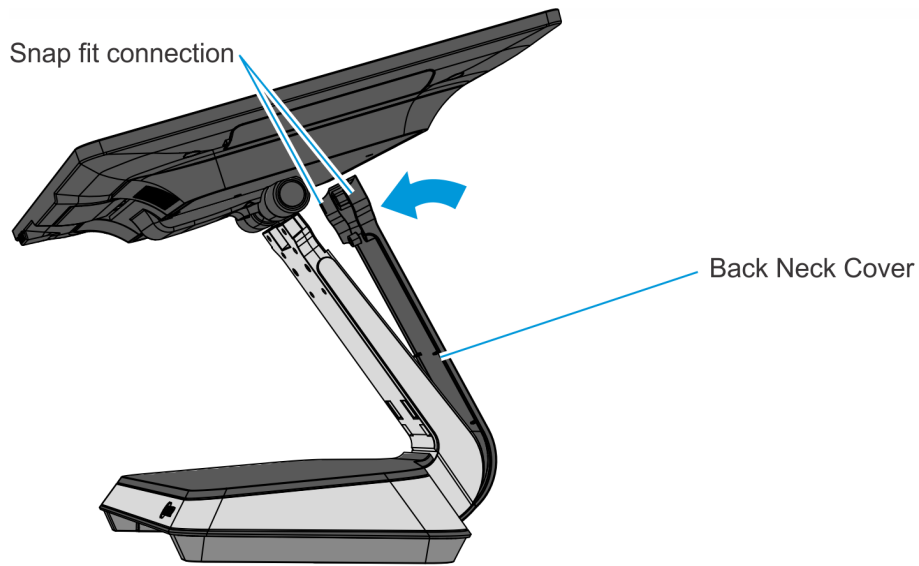
CCP-81533

- c. Remove the Neck Cover.



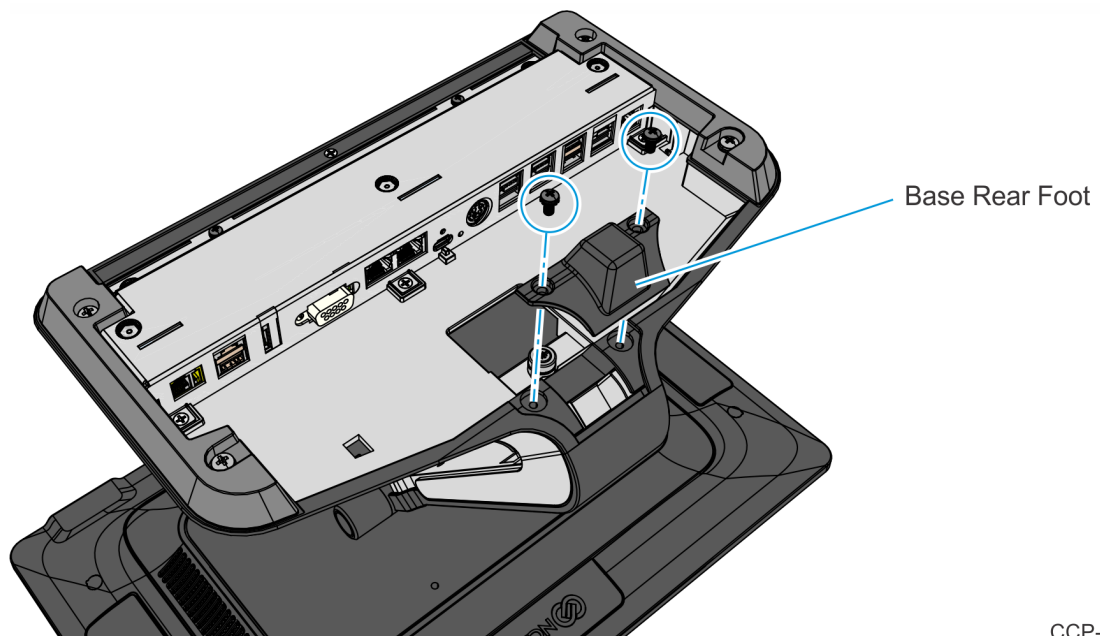
CCP-81535

4. Snap the Back Neck Cover onto the neck. The Cover has a simple snap fit connection at the top.

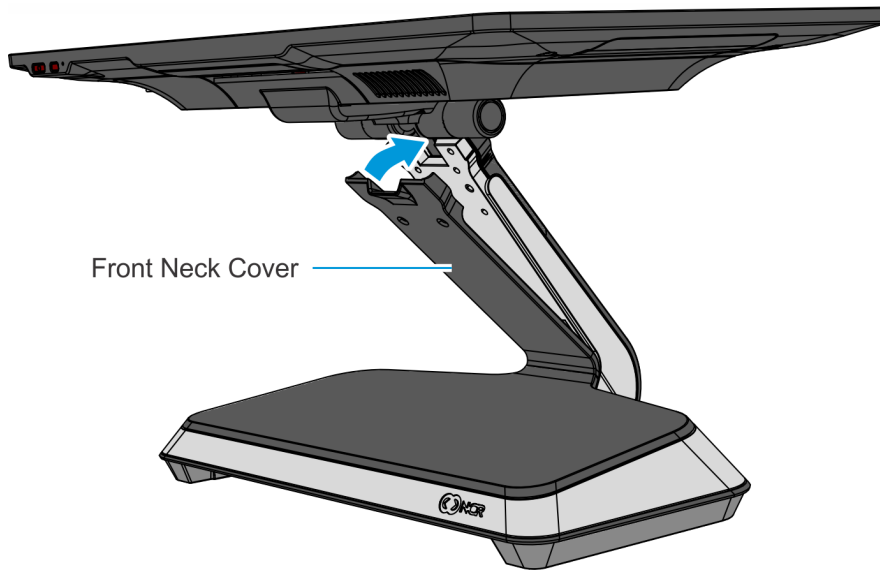


5. Install the Base Rear Foot (2 screws). Ensure the Neck Cover is captured under the Base Rear Foot.

The Base Rear Foot serves to manage the cables and hold the bottom of the Neck Cover in place.



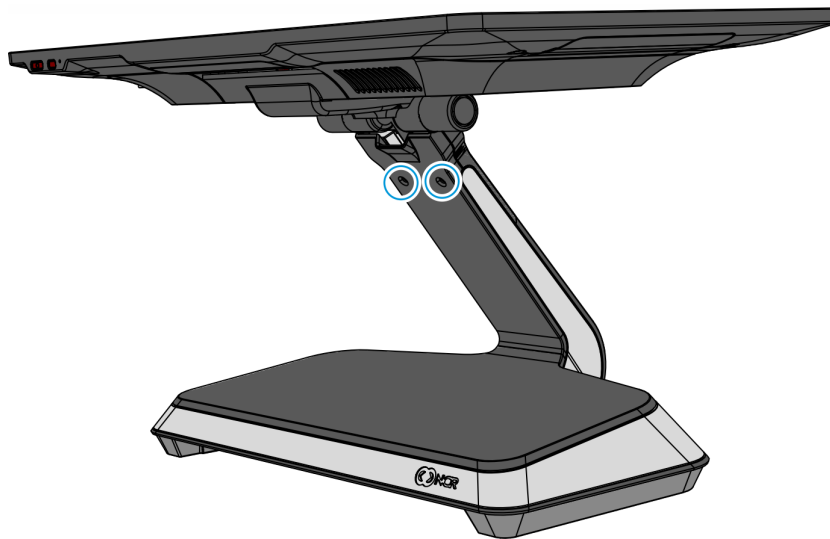
6. Attach the Front Neck Cover to the Neck.



CCP-76949

7. Secure the Front Neck Cover to the Neck with two (2) screws. Use the appropriate screws:

- flat head screws for Base without Integrated Power Supply
- thumbscrews for Base with Integrated Power Supply



CCP-76947