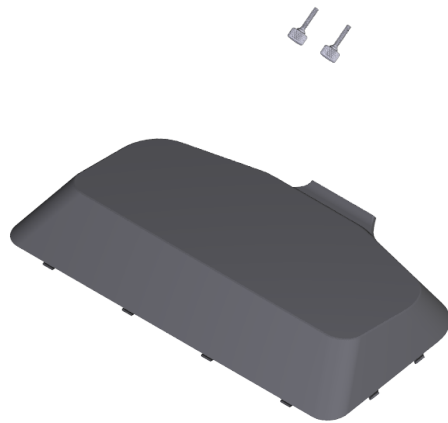




Integrated Power Supply Base Conversion Kit

Kit Instructions



7772-K032

Issue C

Copyright

The product described in this document is a licensed product of NCR Voyix Corporation.

NCR CX7 All-in-One POS (7772) is a trademark of NCR Voyix Corporation in the United States and/or other countries. Other product names mentioned in this publication may be trademarks or registered trademarks of their respective companies and are hereby acknowledged.

Where creation of derivative works, modifications or copies of this NCR Voyix copyrighted documentation is permitted under the terms and conditions of an agreement you have with NCR Voyix, NCR Voyix's copyright notice must be included.

It is the policy of NCR Voyix Corporation to improve products as new technology, components, software, and firmware become available. NCR Voyix, therefore, reserves the right to change specifications without prior notice.

All features, functions, and operations described herein may not be marketed by NCR Voyix in all parts of the world. In some instances, photographs are of equipment prototypes. Therefore, before using this document, consult with your NCR Voyix representative or NCR Voyix office for information that is applicable and current.

Copyright © 2019–2024
By NCR Voyix Corporation
Atlanta, Georgia, USA
All Rights Reserved

Table of Contents

Copyright	2
Integrated Power Supply Base Conversion Kit	5
Kit Contents	5
Installation Procedure	6

Revision Record

Issue	Date	Remarks
A	Jul 2019	First Issue
B	Jun 2020	Added CX5 (7773) to introduction
C	Dec 2021	Added Warning statement

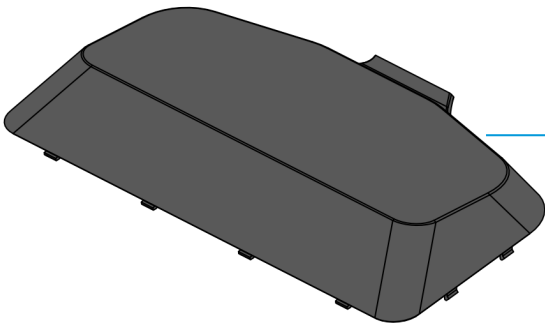
Integrated Power Supply Base Conversion Kit

This kit provides a Base Cover and thumbscrews for the Front Neck Cover when an integrated power supply is installed on the NCR CX7 All-in-One POS (7772) or NCR CX5 All-in-One POS (7773).

Kit Contents



Thumbscrew, M3x16, Knurled Head
497-0525691



Base Cover, Integrated Power Supply
497-0523771

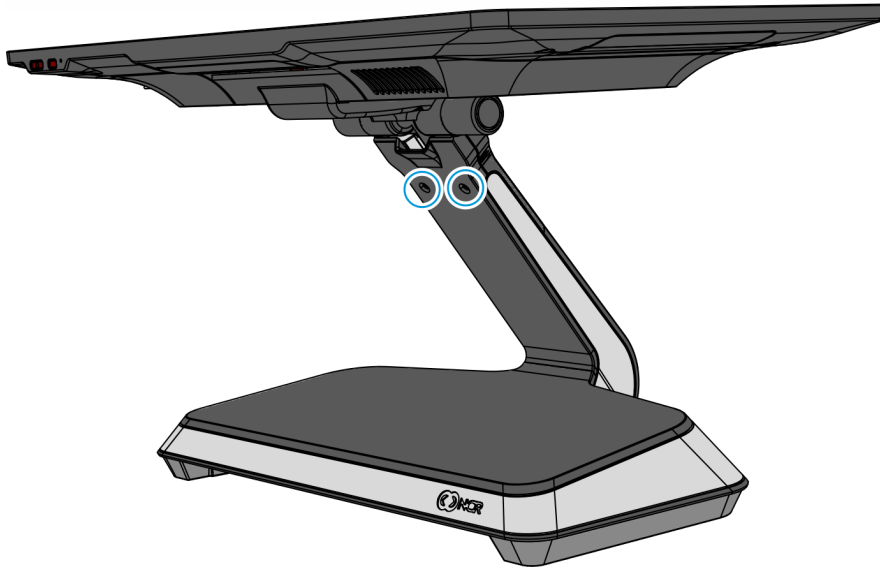
CCP-76977

Installation Procedure

Warning

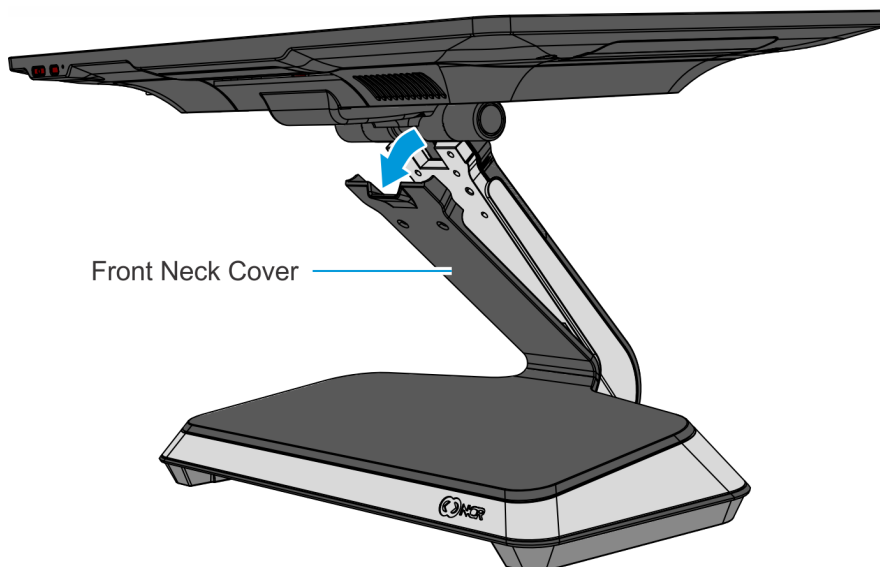
Disconnect the AC power cord from the AC outlet and wait 30 seconds before servicing the terminal.

1. Remove the two (2) flat head screws that secure the Front Neck Cover to the Neck.



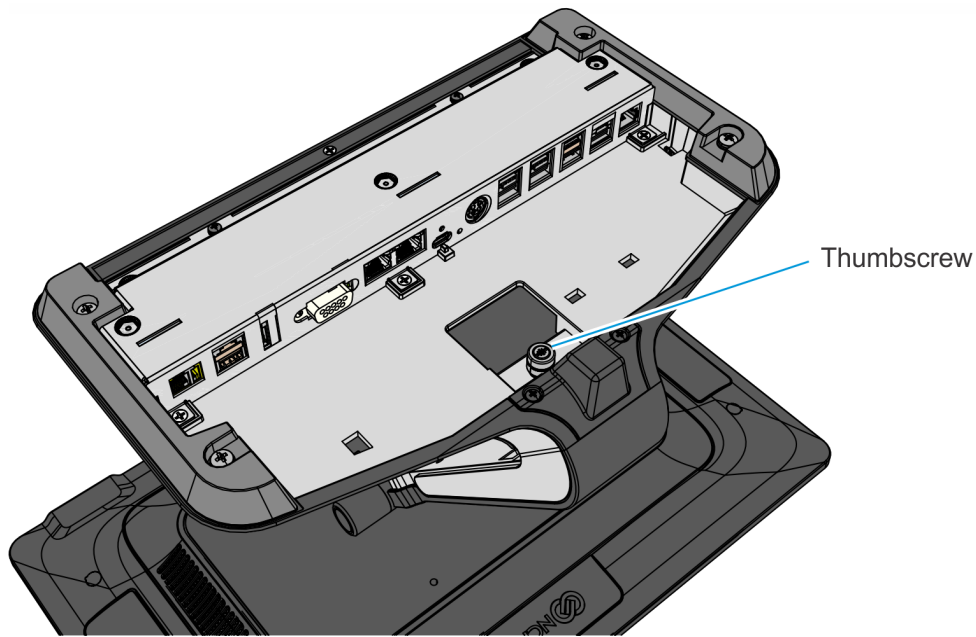
CCP-76947

2. Pivot the Front Neck Cover away from the Neck.



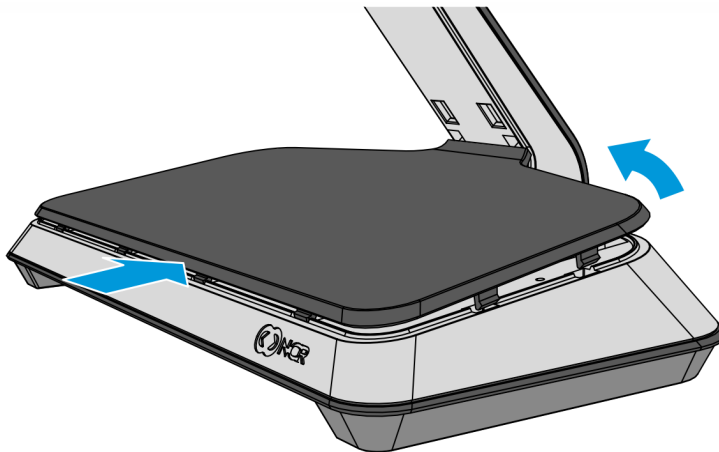
CCP-76948

3. Loosen the thumbscrew on the bottom of the Base.



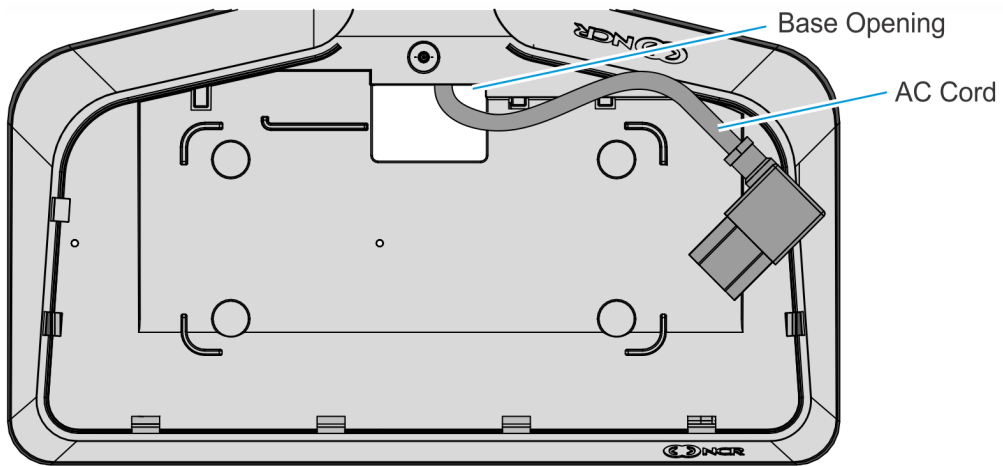
CCP-76950

4. Slightly push the front side of the Base Cover, then pivot the cover open.



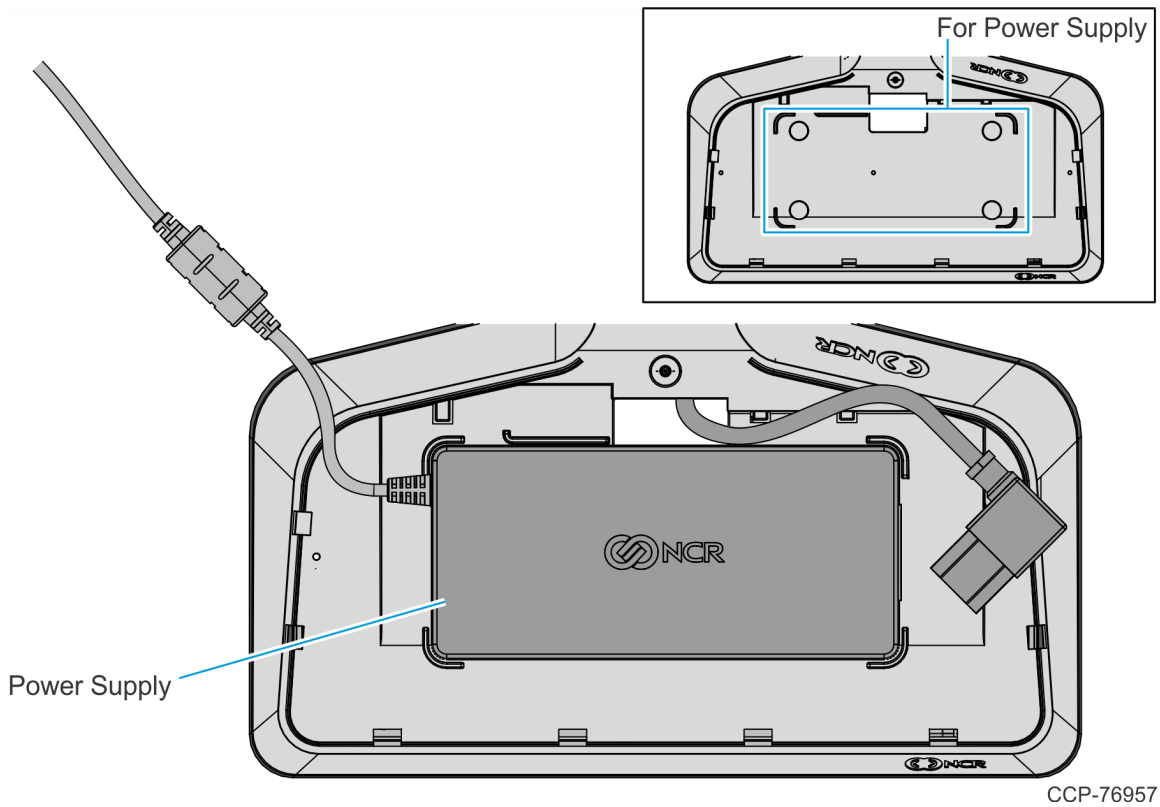
CCP-77006

5. Route the AC Cord up through the opening in the Base.



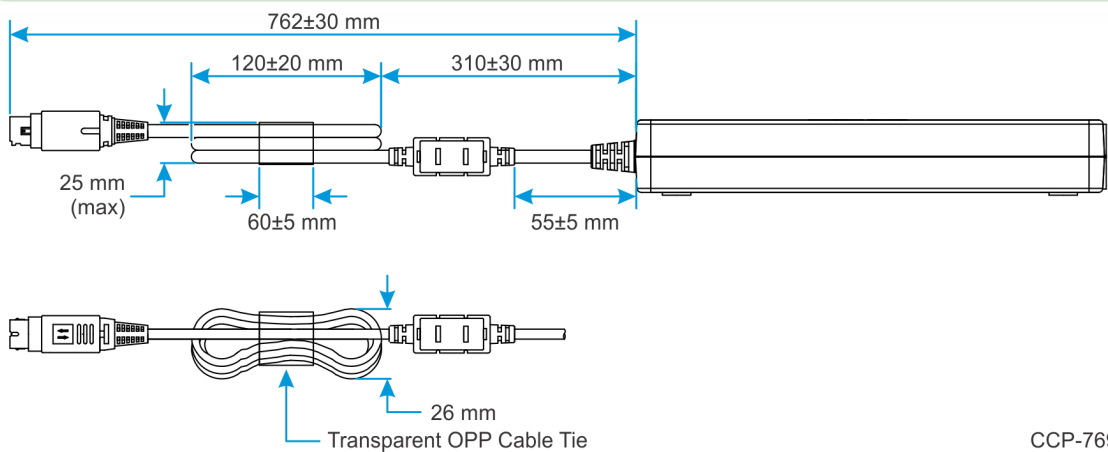
CCP-76956

6. Position the Power Supply in the recess on the Base.



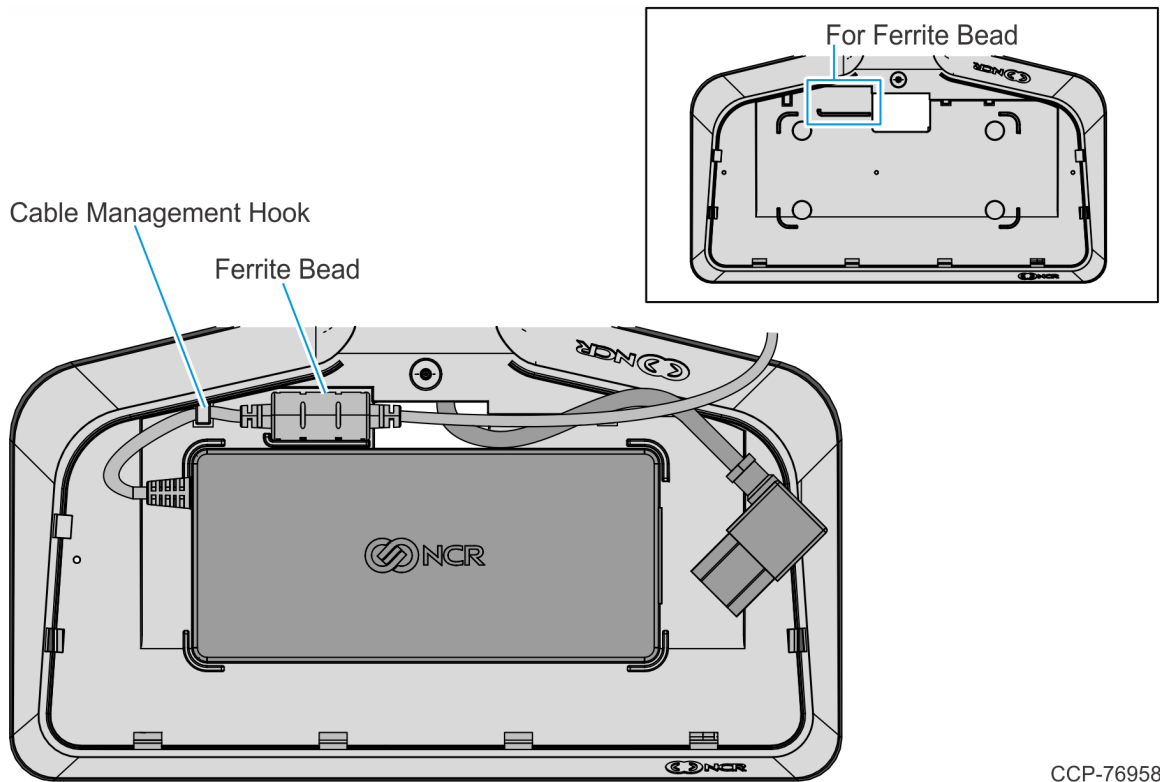
Note

The Power Supply Cable comes bundled as shown. Do not modify the bundled cable.



Confidential and proprietary information of NCR Voyix.
Use and disclose solely pursuant to company instructions.

7. Set the Ferrite Bead in the small recess on the Base and secure the Cable under the Cable Management Hook.

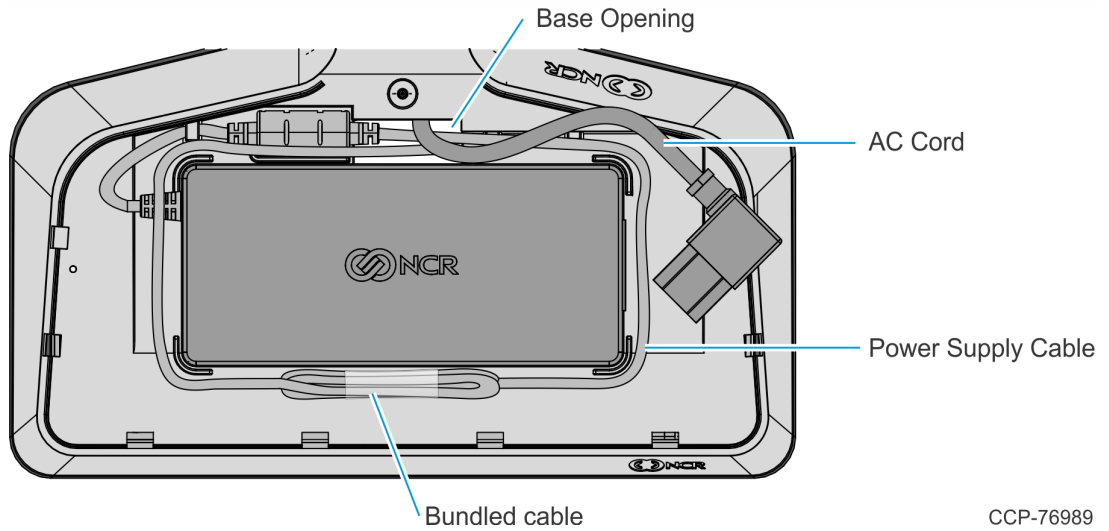


CCP-76958

8. Route the Power Supply Cable.

- a. Route the Power Supply Cable around the Power Supply with the bundled cable in front as shown.

The Power Supply Cable should be under the AC Cord.

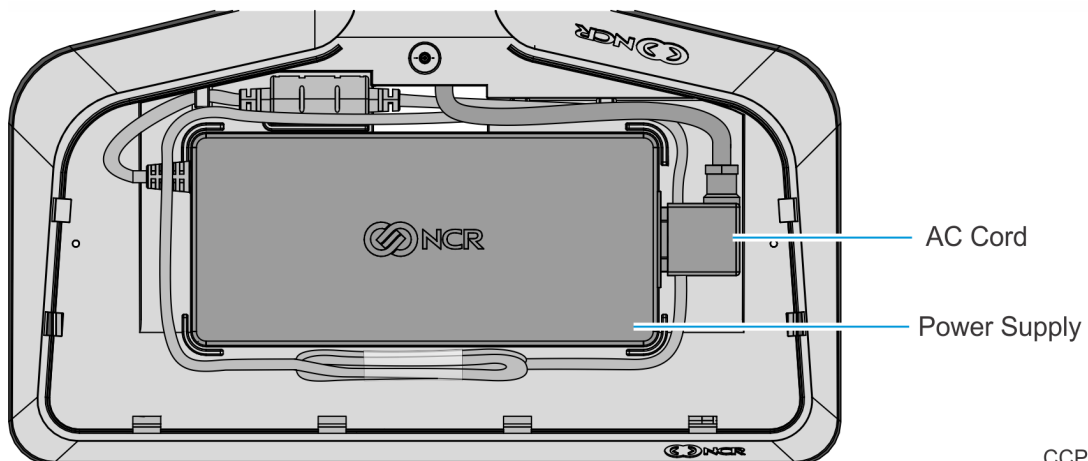


CCP-76989

- b. Insert the DC Connector of the Power Supply Cable down through the Base opening.

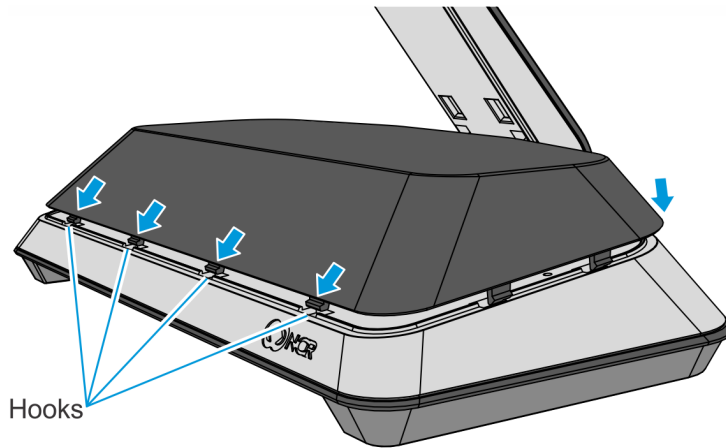
- c. On the underside of the Base, pull the DC Connector such that the excess cable is under the Base.

9. Connect the AC Cord to the Power Supply.



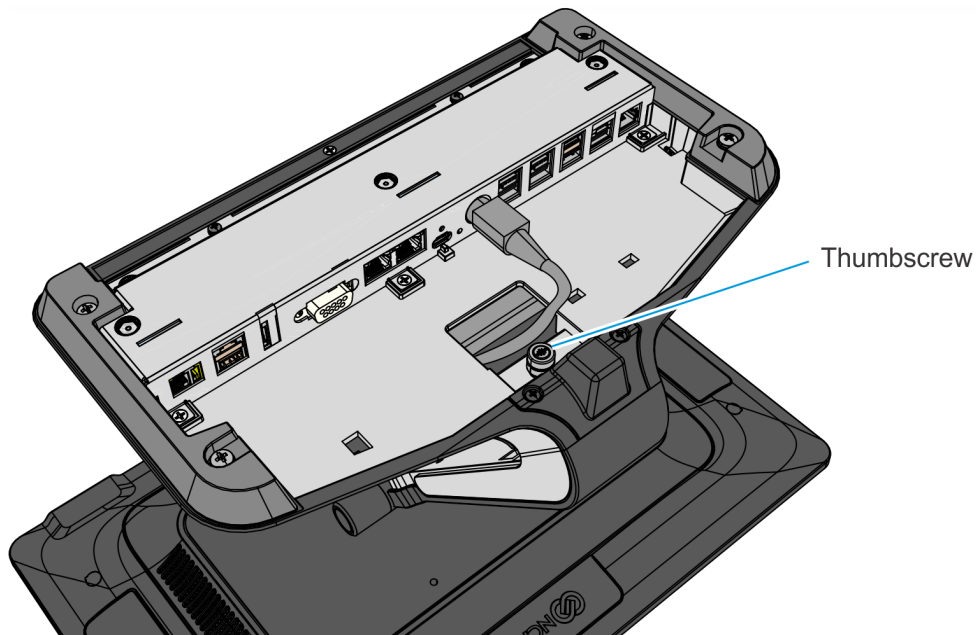
CCP-76990

- Hook the Base Cover into the Stand, then snap into place.



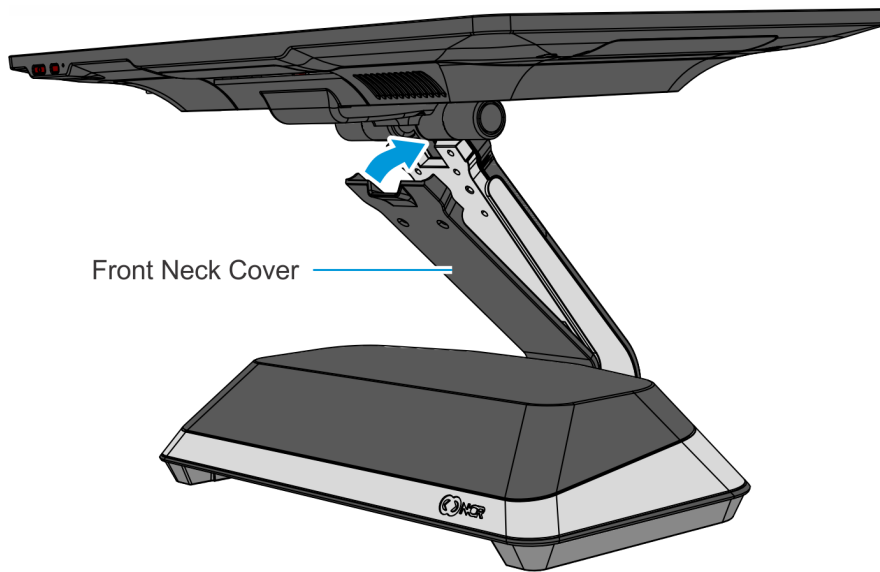
CCP-76978

- Insert the DC Connector into the Power In connector on the I/O.
- Tighten the thumbscrew on the bottom of the Base to secure the Base Cover.



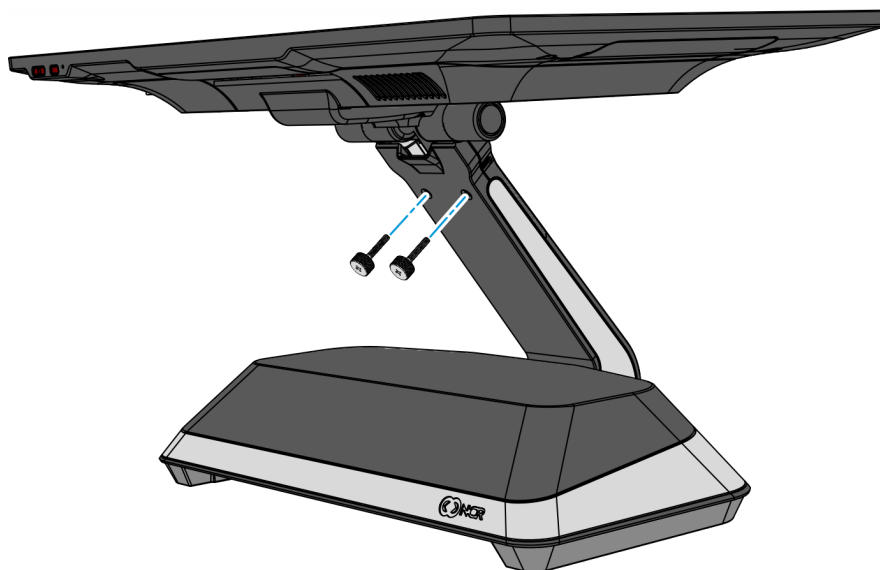
CCP-76991

13. Attach the Front Neck Cover to the Neck.



CCP-76979

14. Secure the Front Neck Cover with the two (2) thumbscrews included in the kit.



CCP-76980