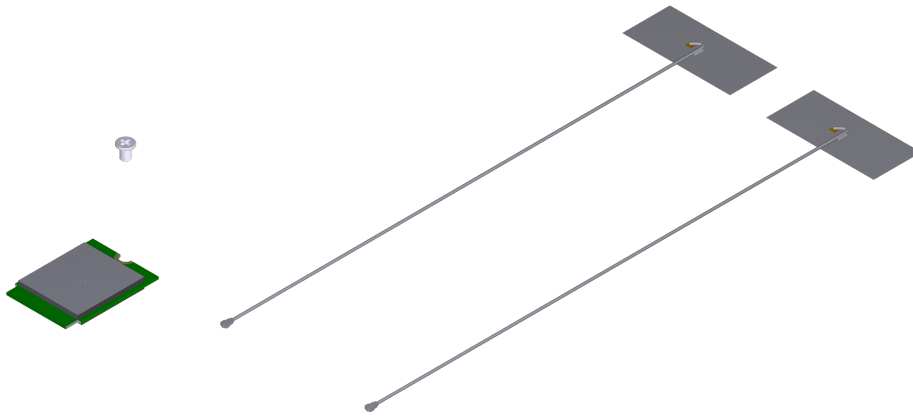




Wireless Card and Antenna (Port C)

Kit Instructions



7772-K167/K168

Issue C

Copyright

The product described in this document is a licensed product of NCR Voyix Corporation.

NCR CX7 All-in-One POS (7772) is a trademark of NCR Voyix Corporation in the United States and/or other countries. Other product names mentioned in this publication may be trademarks or registered trademarks of their respective companies and are hereby acknowledged.

Where creation of derivative works, modifications or copies of this NCR Voyix copyrighted documentation is permitted under the terms and conditions of an agreement you have with NCR Voyix, NCR Voyix's copyright notice must be included.

It is the policy of NCR Voyix Corporation to improve products as new technology, components, software, and firmware become available. NCR Voyix, therefore, reserves the right to change specifications without prior notice.

All features, functions, and operations described herein may not be marketed by NCR Voyix in all parts of the world. In some instances, photographs are of equipment prototypes. Therefore, before using this document, consult with your NCR Voyix representative or NCR Voyix office for information that is applicable and current.

Copyright © 2020–2024
By NCR Voyix Corporation
Atlanta, Georgia, USA
All Rights Reserved

Table of Contents

Copyright	2
Wireless Card and Antenna (Port C)	5
Kit Contents	6
7772-K167 WiFi 6 Wireless Card and Antenna, CX7ii	6
7772-K168 Wireless Card and Antenna, CX7 and CX5	7
Installation Procedure	8

Revision Record

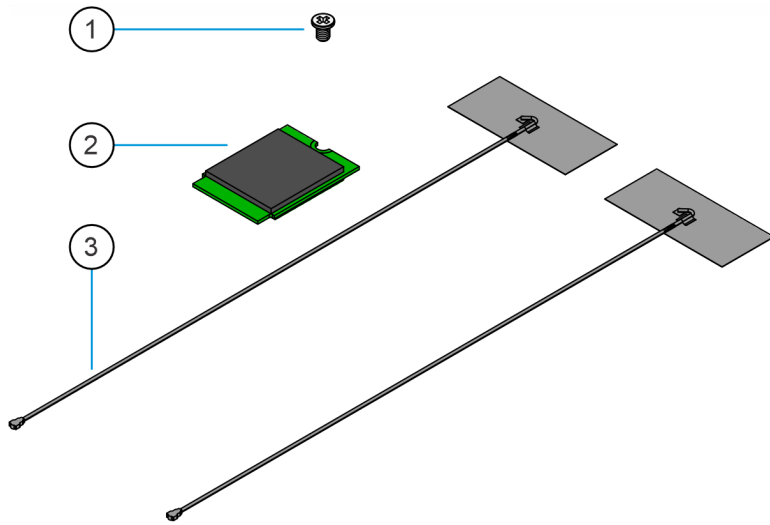
Issue	Date	Remarks
A	Jun 2020	First Issue
B	Dec 2021	Added Warning statement
C	Apr 2024	Added 7772-K167 WiFi 6 Wireless Card and Antenna, CX7ii

Wireless Card and Antenna (Port C)

The following kits provide a Wireless Card and Antenna for Port C of the CX7/CX7ii/CX5 All-in-One POS.

Kit Number	Description	POS
7772-K167	WiFi 6 Wireless Card and Antenna (Port C), CX7ii	CX7ii (7772)
7772-K168	Wireless Card and Antenna (Port C)	CX7 (7772) CX5 (7773)

Kit Contents



CCP-79019

7772-K167 WiFi 6 Wireless Card and Antenna, CX7ii

Item	Part Number	Description
	497-0534991	KIT - Wireless Card and Antenna, CX7ii
1	006-8627556	Screw - M3x4mm Phillips, Low Profile, Black
2	006-8628633	WiFi 6E AX210 (Gig+) Commercial Temperature Embedded Module, vPro, M.2 2230 Board Form Factor
3	006-8628792	WiFi 6E Flex Cable Balance Antenna, CX7ii
*	497-0536840	FCC ID / IC Label, 7772
*	497-0423108	Instructions — Kit (Reference Sheet)

* Items marked with an asterisk are not called out on the image.

7772-K168 Wireless Card and Antenna, CX7 and CX5

Item	Part Number	Description
	497-0528339	KIT - Wireless Card and Antenna (Port C)
1	006-8627556	Screw - M3x4mm Phillips, Low Profile, Black
2	006-8627403	Dual Band Wireless-AC 9260, 2x2, VPro, M.2 2230 Board Form Factor
3	006-8626513	2.4/5 GHz Standalone Antenna, RoHS-compliant, Halogen-free
*	497-0526207	FCC ID / IC Label for 9260
*	497-0423108	Instructions — Kit (Reference Sheet)

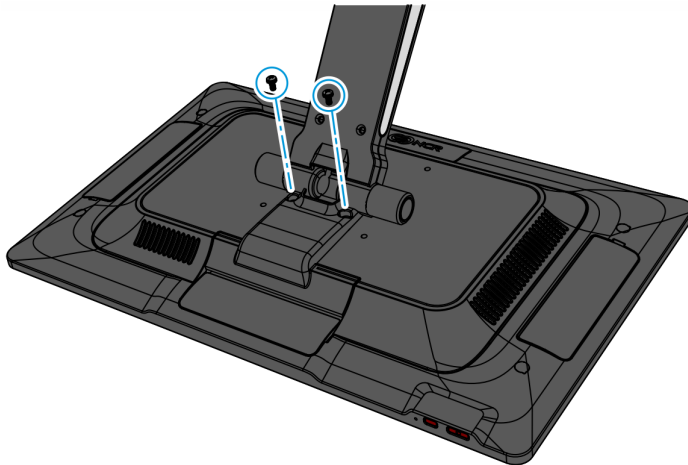
* Items marked with an asterisk are not called out on the image.

Installation Procedure

Warning

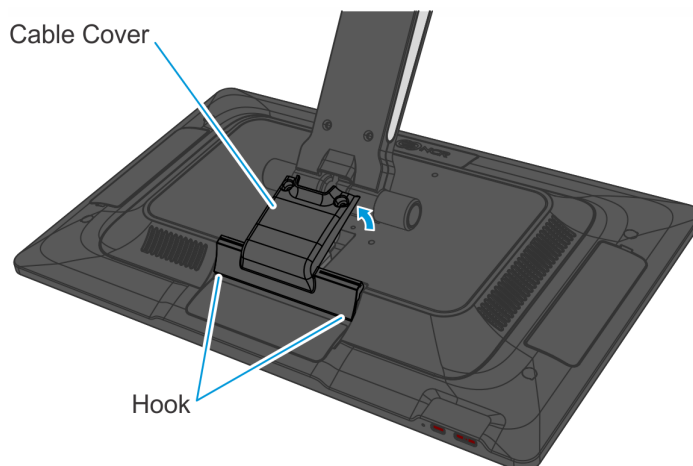
Disconnect the AC power cord from the AC outlet and wait 30 seconds before servicing the terminal.

1. Lay the Display face down on a flat surface.
Always use a soft material (cloth, foam) to protect the display screen when placing the terminal face down.
2. Remove the Cable Cover.
 - a. Remove the two (2) screws that secure the Cable Cover to the Back Cover.



CCP-77013

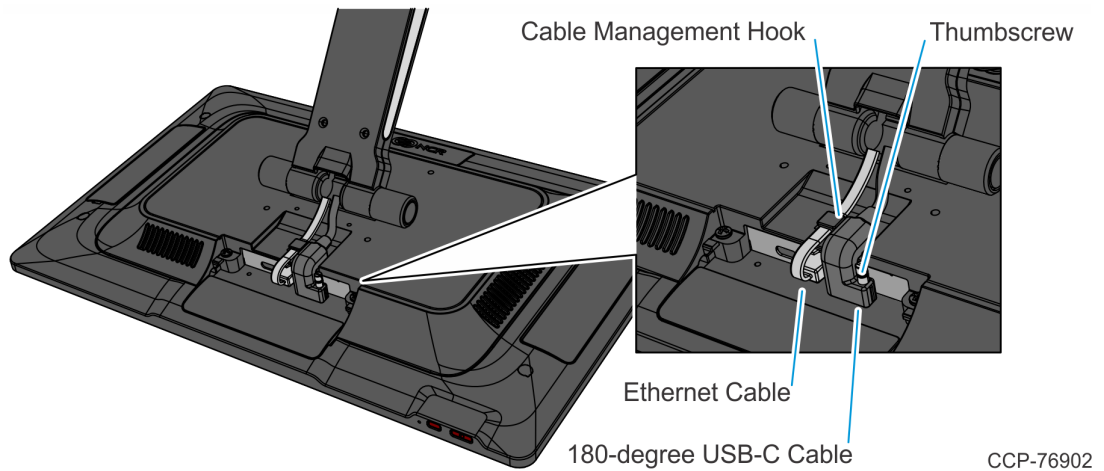
- b. Rotate and unhook the Cable Cover from the Back Cover.



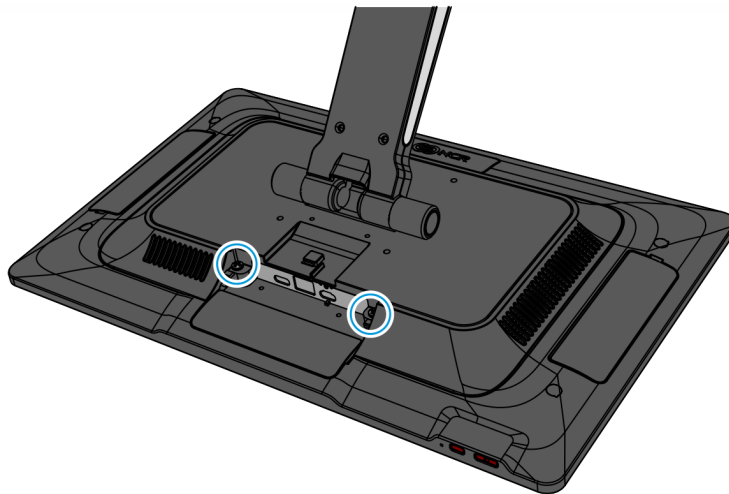
CCP-77014

3. Disconnect the Cables.

- a. Loosen the thumbscrew of the 180-degree USB-C Cable then disconnect the Cable.
- b. Remove the Ethernet Cable from the Cable Management Hook then disconnect the Cable.

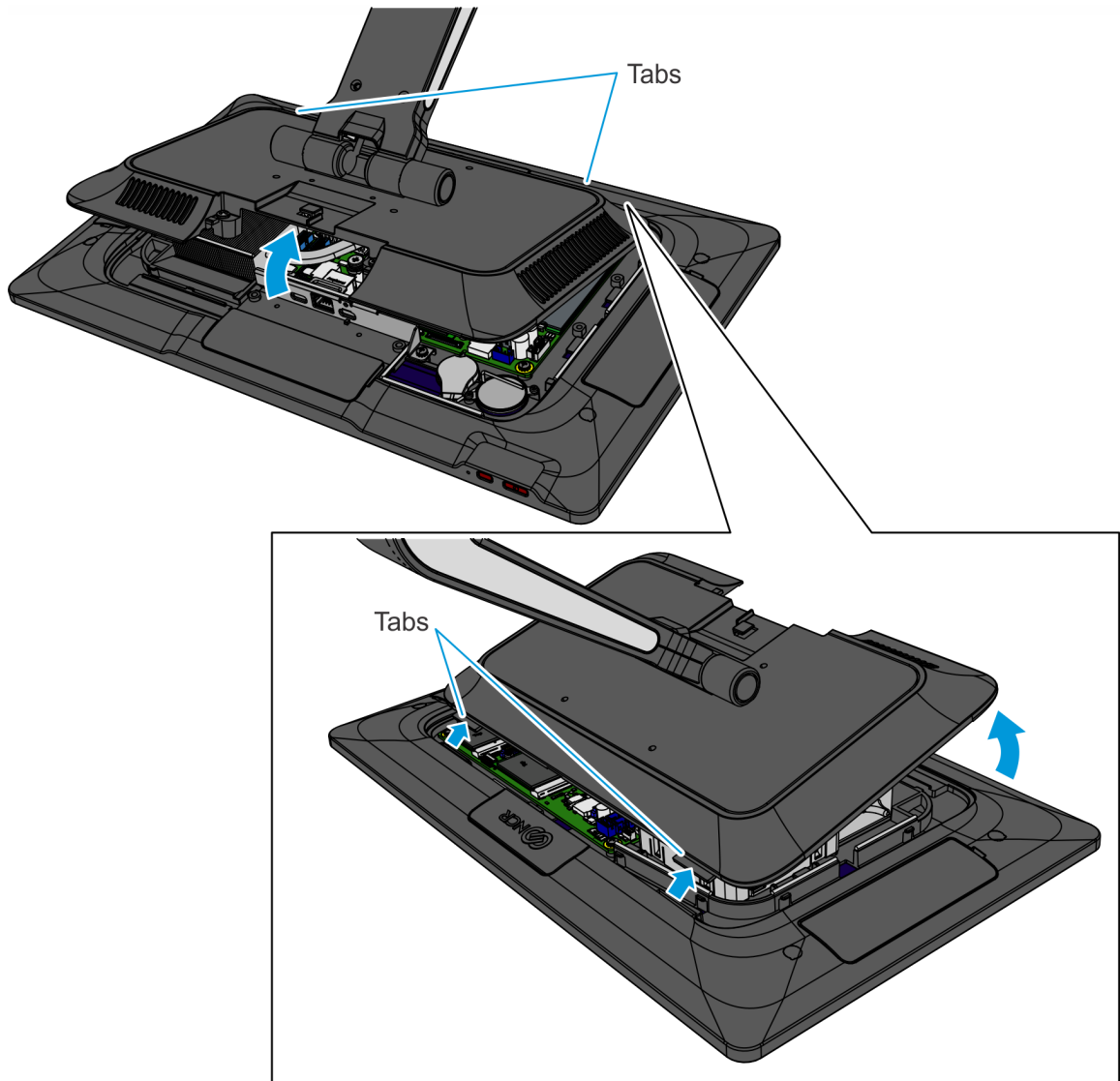


4. Loosen the two (2) captive screws that secure the Back Cover to the Display.



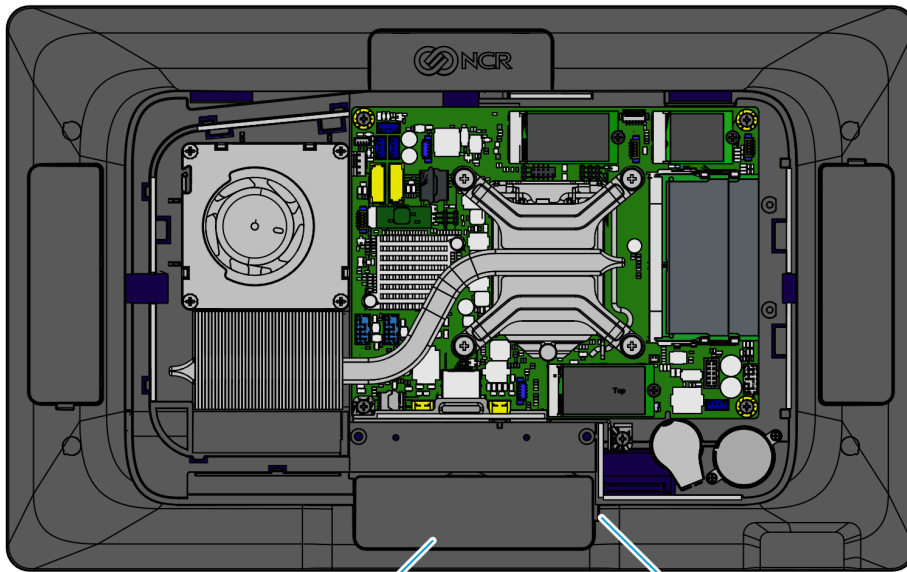
CCP-76903

5. Rotate the Back Cover away from the Display and unhook the Back Cover Tabs.



CCP-78836

6. Insert a flat screw driver in the slot to unsnap the Peripheral Filler Plate from Port C of the display housing.

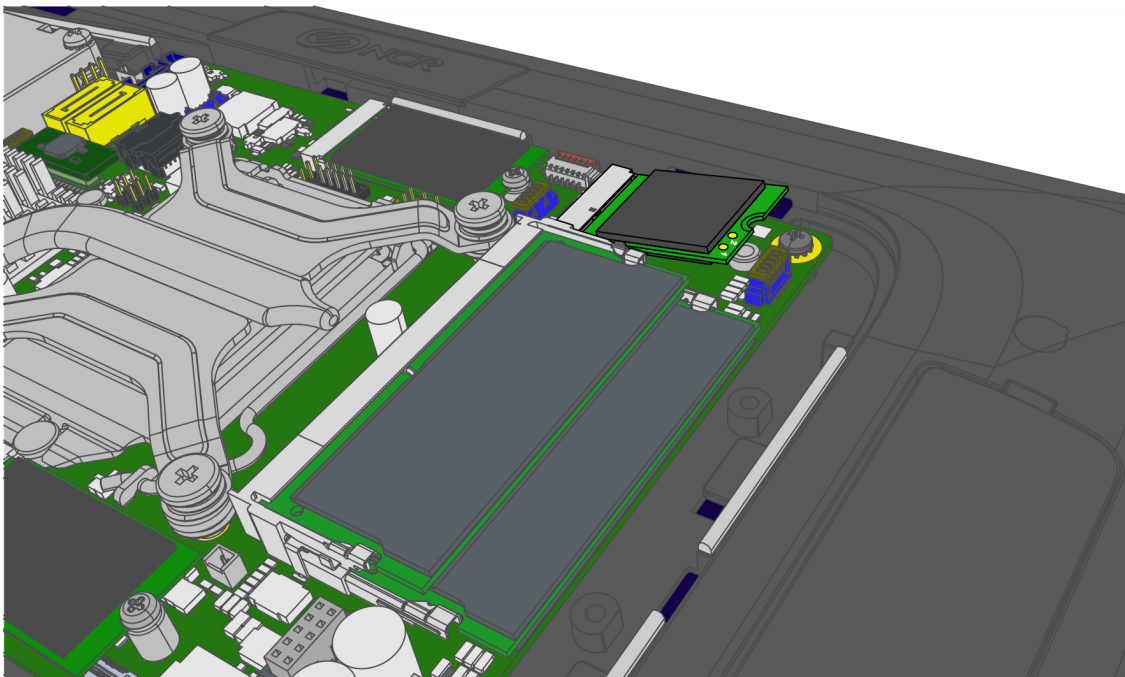


Port C Peripheral Filler Plate

Slot

CCP-77028

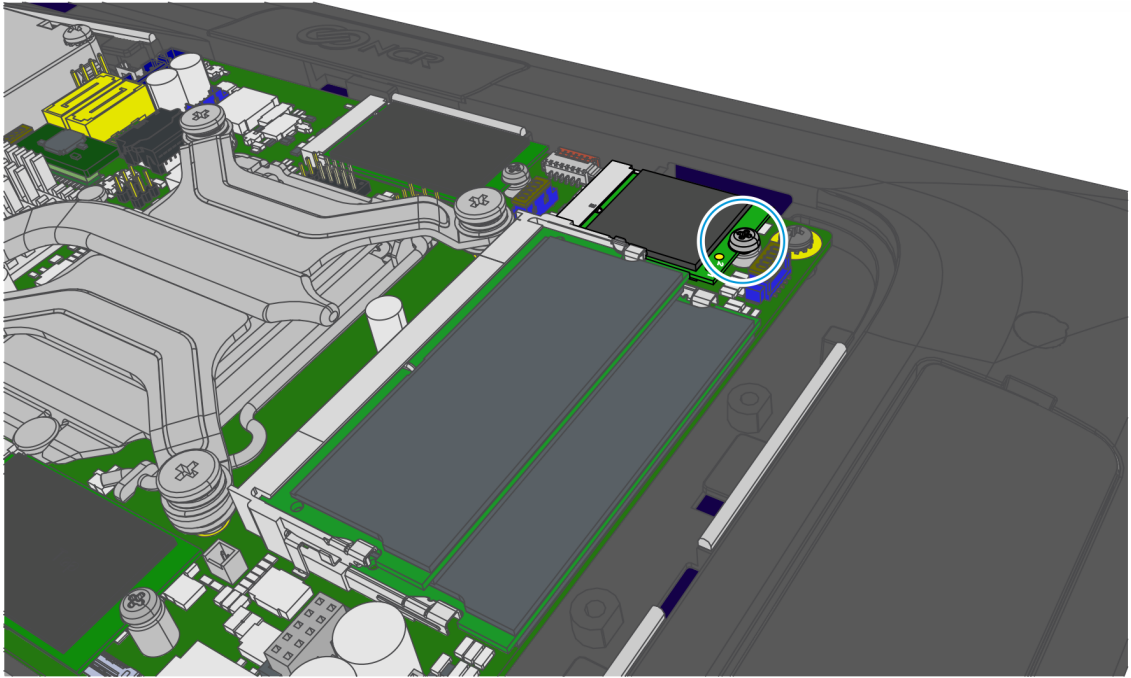
7. Insert the Wireless Card into the connector.



CCP-76936

Confidential and proprietary information of NCR Voyix.
Use and disclose solely pursuant to company instructions.

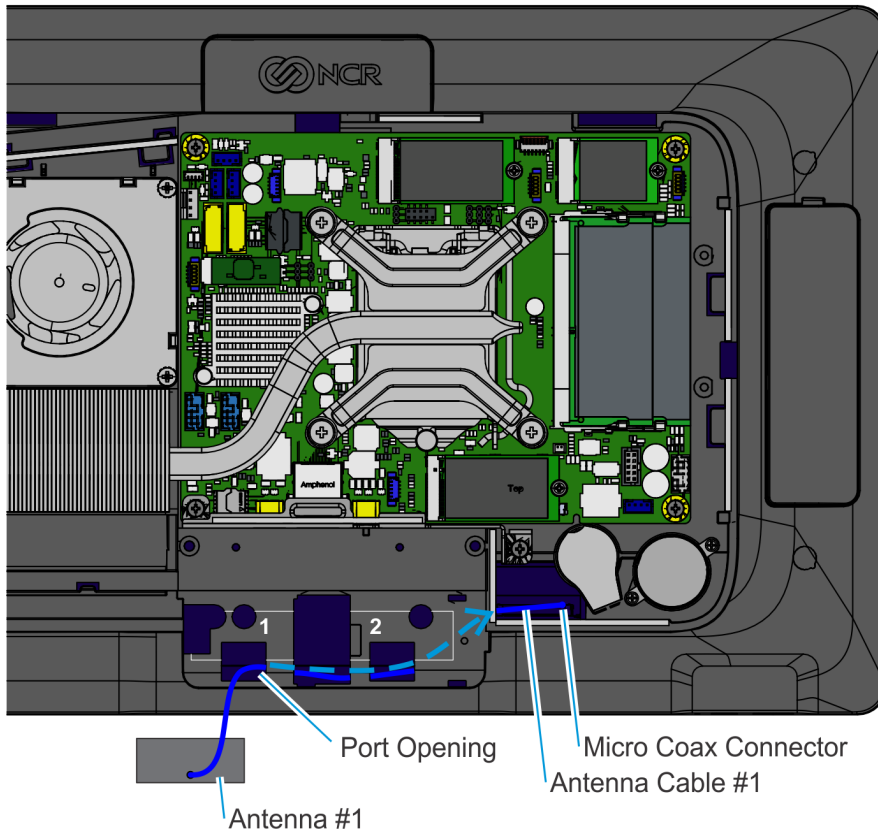
8. Secure the Card with a screw.



CCP-76935

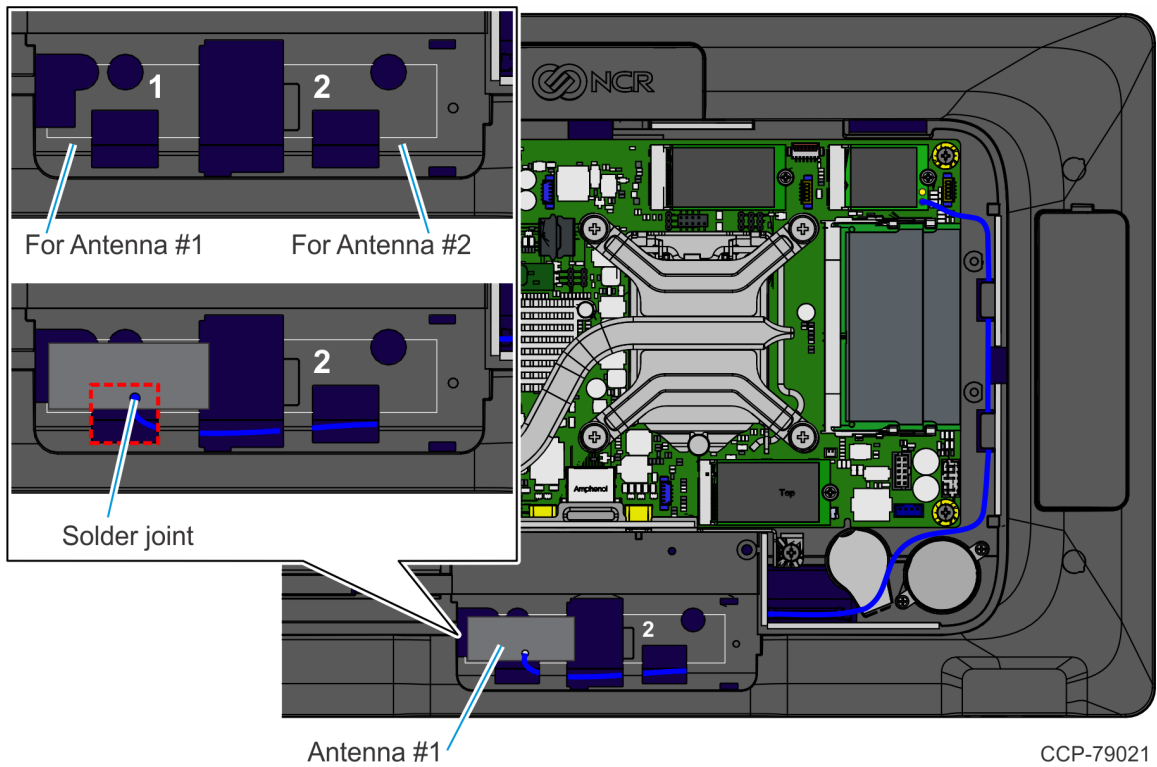
Confidential and proprietary information of NCR Voyix.
Use and disclose solely pursuant to company instructions.

9. Route the first Antenna Cable through the port opening located as shown and pull the Cable completely through.
If present, remove the protective cover from the Micro Coax Connector.



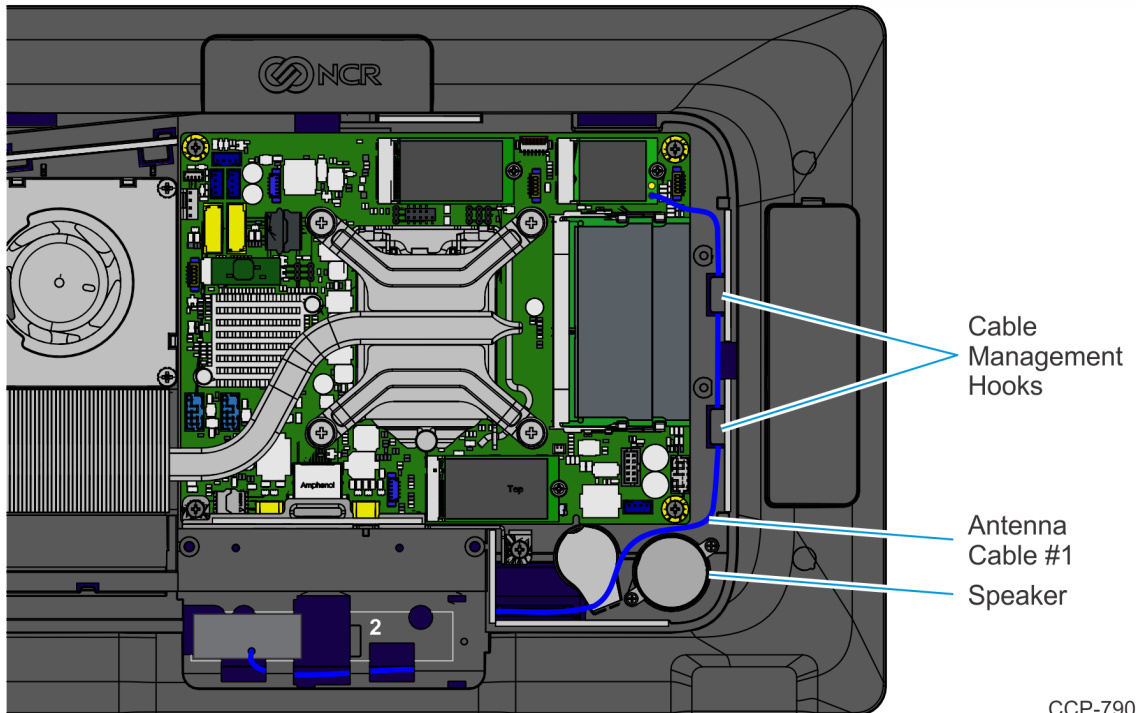
CCP-79020

10. Remove the adhesive liner from the Antenna and place the Antenna on the location marked "1" on the display housing. Ensure the solder joint of the Antenna is within the opening.

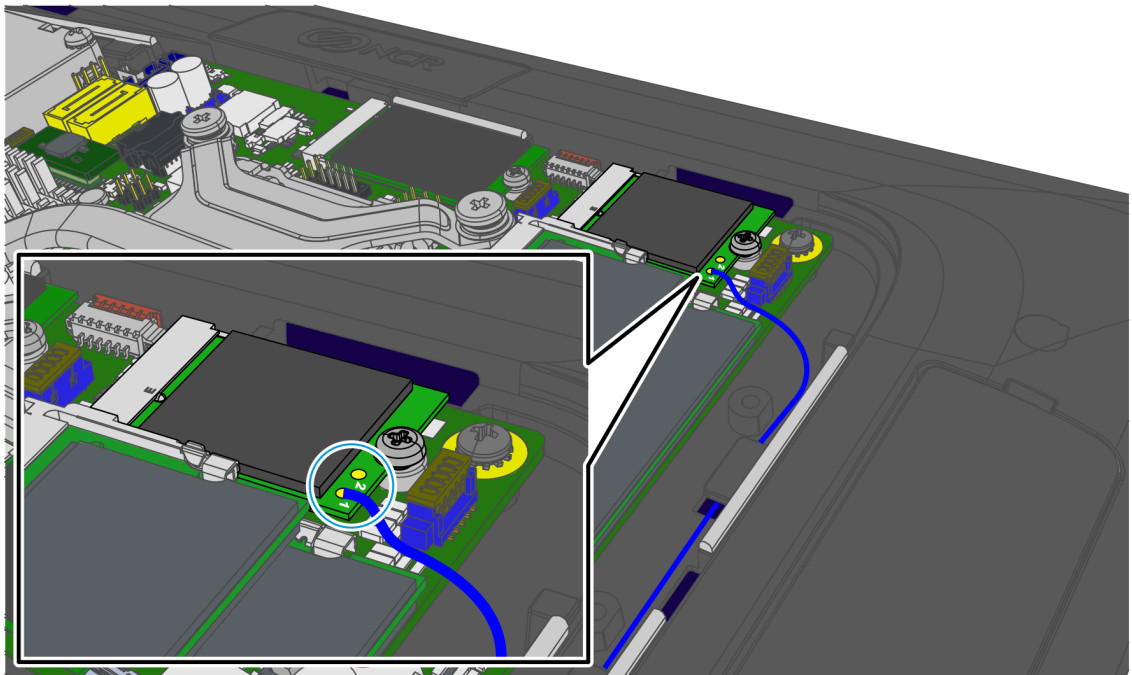


CCP-79021

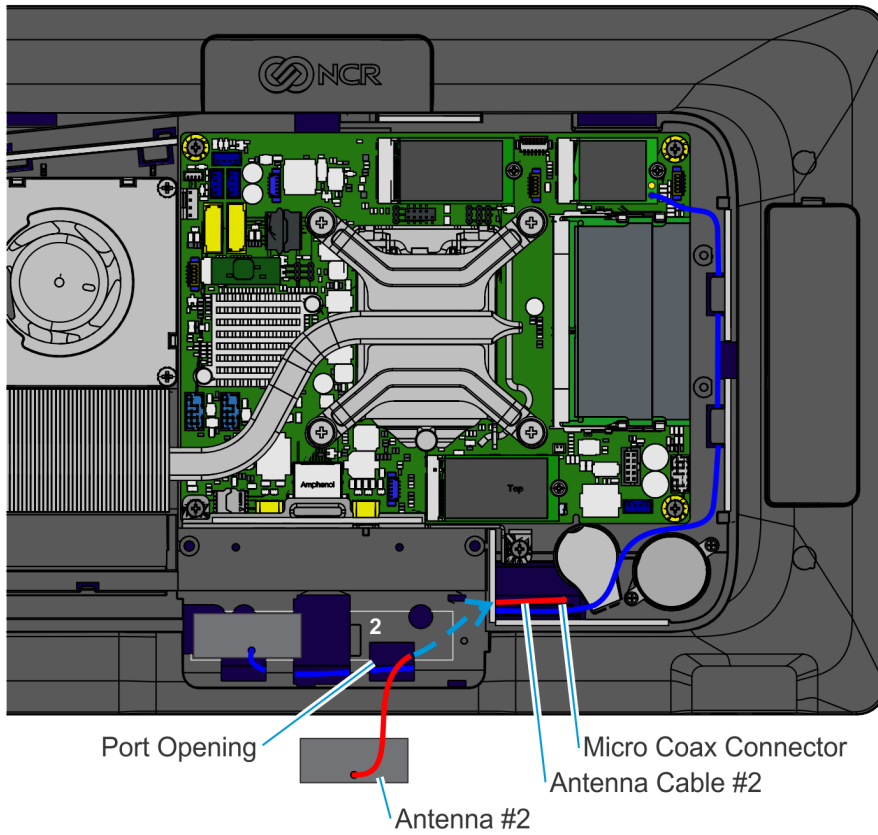
11. Route and secure the Antenna Cable under the Cable Management Hooks as shown. Route the Cable above the upper edge of the Speaker.



12. Connect the first Antenna Cable to Connector 1 (Aux) of the Wireless Card.

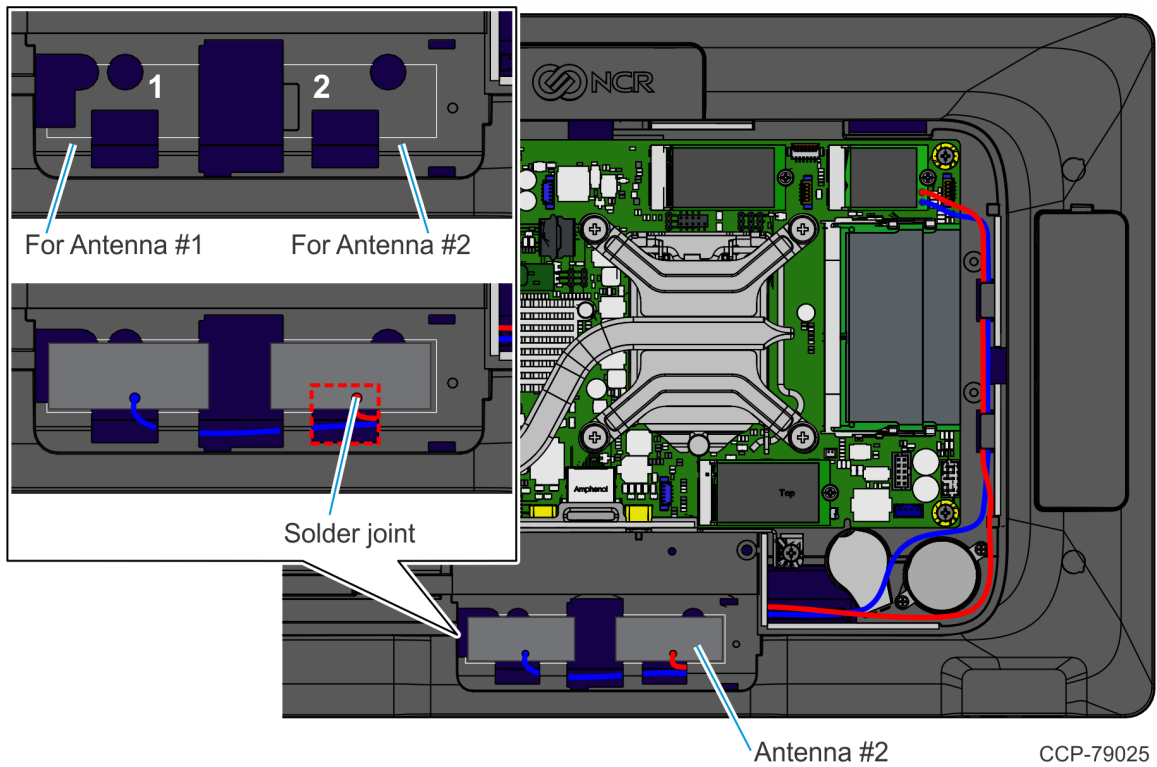


13. Route the second Antenna Cable through the port opening located as shown and pull the Cable completely through.
If present, remove the protective cover from the Micro Coax Connector.

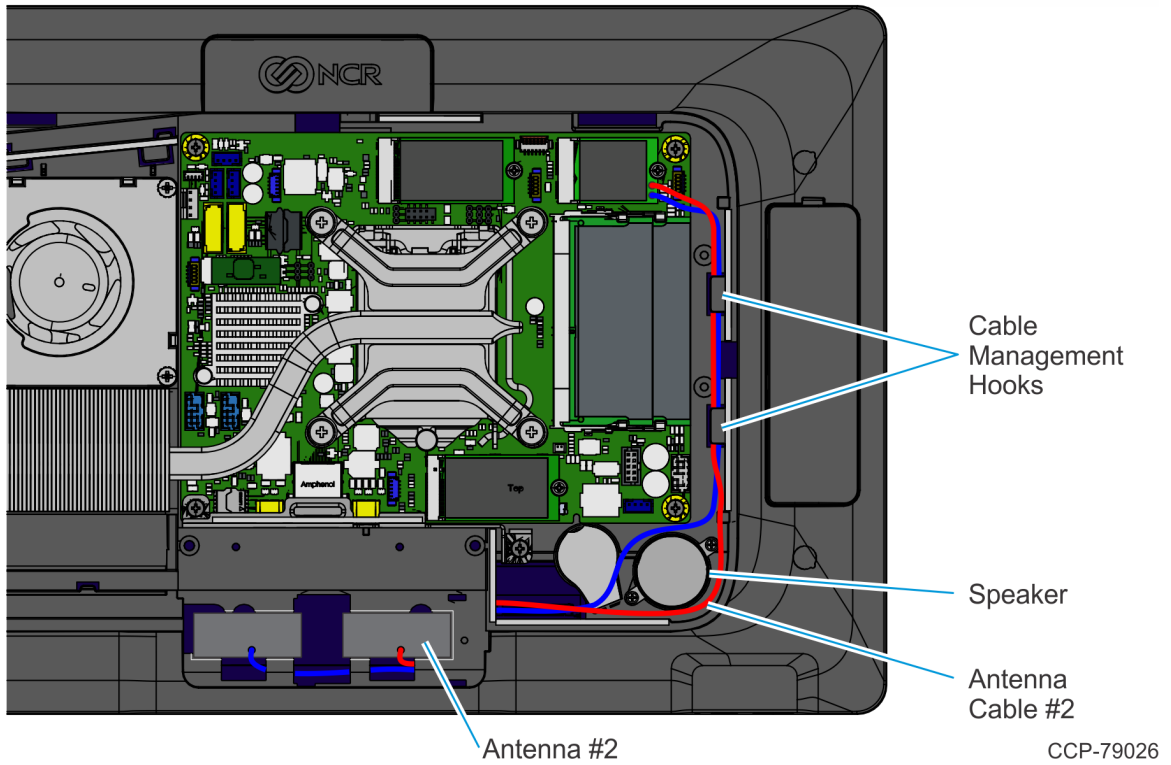


CCP-79024

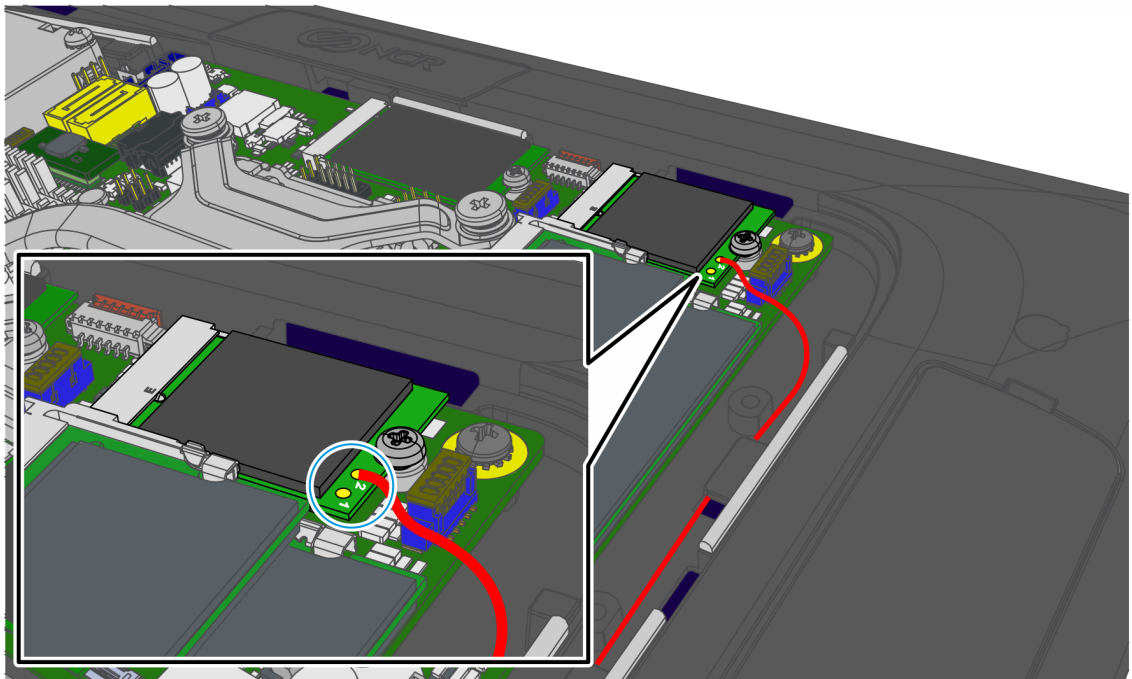
14. Remove the adhesive liner from the Antenna and place the Antenna on the location marked "2" on the display housing. Ensure the solder joint of the Antenna is within the opening.



15. Route and secure the Antenna Cable under the Cable Management Hooks as shown. Route the second Cable below the bottom edge of the Speaker.

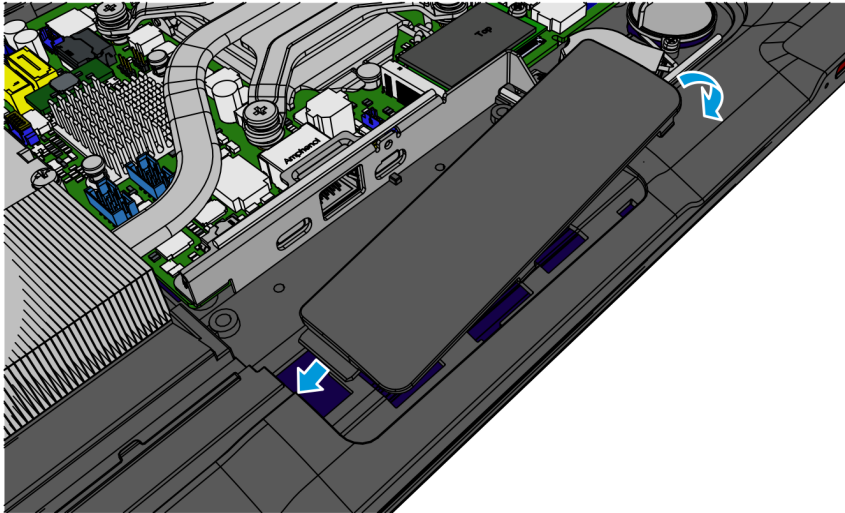


16. Connect the second Antenna Cable to Connector 2 (Main) of the Wireless Card. For clarity, the first Antenna Cable is not shown in the illustration.



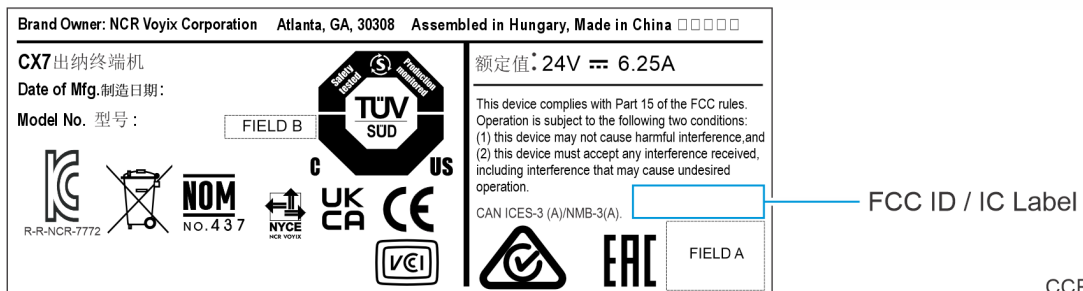
Confidential and proprietary information of NCR Voyix.
Use and disclose solely pursuant to company instructions.

- Hook the Peripheral Filler Plate into the display housing and snap into place.



CCP-77029

- Reinstall the Display Back Cover.
- Reconnect the 180-degree USB-C Cable and Ethernet Cable.
- Reinstall the Cable Cover.
- Place the FCC ID / IC Label on the Certification Label as shown.



CCP-84704