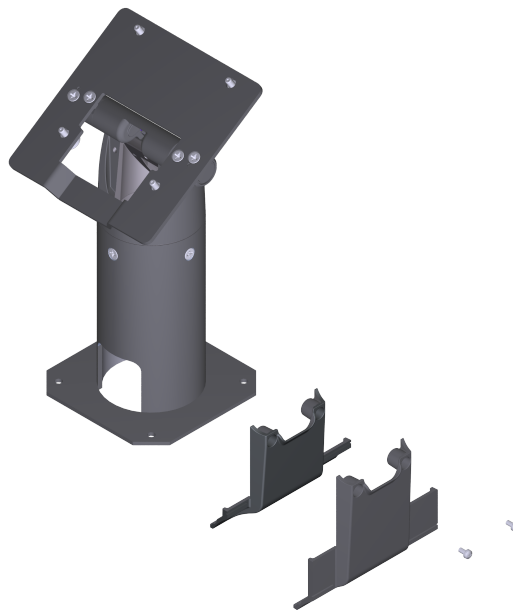




# Pole Mount, 7772

## Kit Instructions

---



7772-K400

Issue D

# Copyright

---

The product described in this document is a licensed product of NCR Voyix Corporation.

NCR CX7 All-in-One POS (7772) is a trademark of NCR Voyix Corporation in the United States and/or other countries. Other product names mentioned in this publication may be trademarks or registered trademarks of their respective companies and are hereby acknowledged.

Where creation of derivative works, modifications or copies of this NCR Voyix copyrighted documentation is permitted under the terms and conditions of an agreement you have with NCR Voyix, NCR Voyix's copyright notice must be included.

It is the policy of NCR Voyix Corporation to improve products as new technology, components, software, and firmware become available. NCR Voyix, therefore, reserves the right to change specifications without prior notice.

All features, functions, and operations described herein may not be marketed by NCR Voyix in all parts of the world. In some instances, photographs are of equipment prototypes. Therefore, before using this document, consult with your NCR Voyix representative or NCR Voyix office for information that is applicable and current.

Copyright © 2020–2024  
By NCR Voyix Corporation  
Atlanta, Georgia, USA  
All Rights Reserved

# Table of Contents

---

<b>Copyright</b> .....	<b>2</b>
<b>Pole Mount</b> .....	<b>5</b>
Kit Contents .....	5
Dimensions .....	6
Mounting Holes .....	6
Installation Procedure .....	6
With Quick-Release Bracket .....	7
Without Quick-Release Bracket .....	14

# Revision Record

---

Issue	Date	Remarks
A	Aug 2020	First Issue
B	Mar 2021	Added Dimensions section
C	Dec 2021	Added Warning statement
D	May 2022	Added Mounting Hole Dimensions

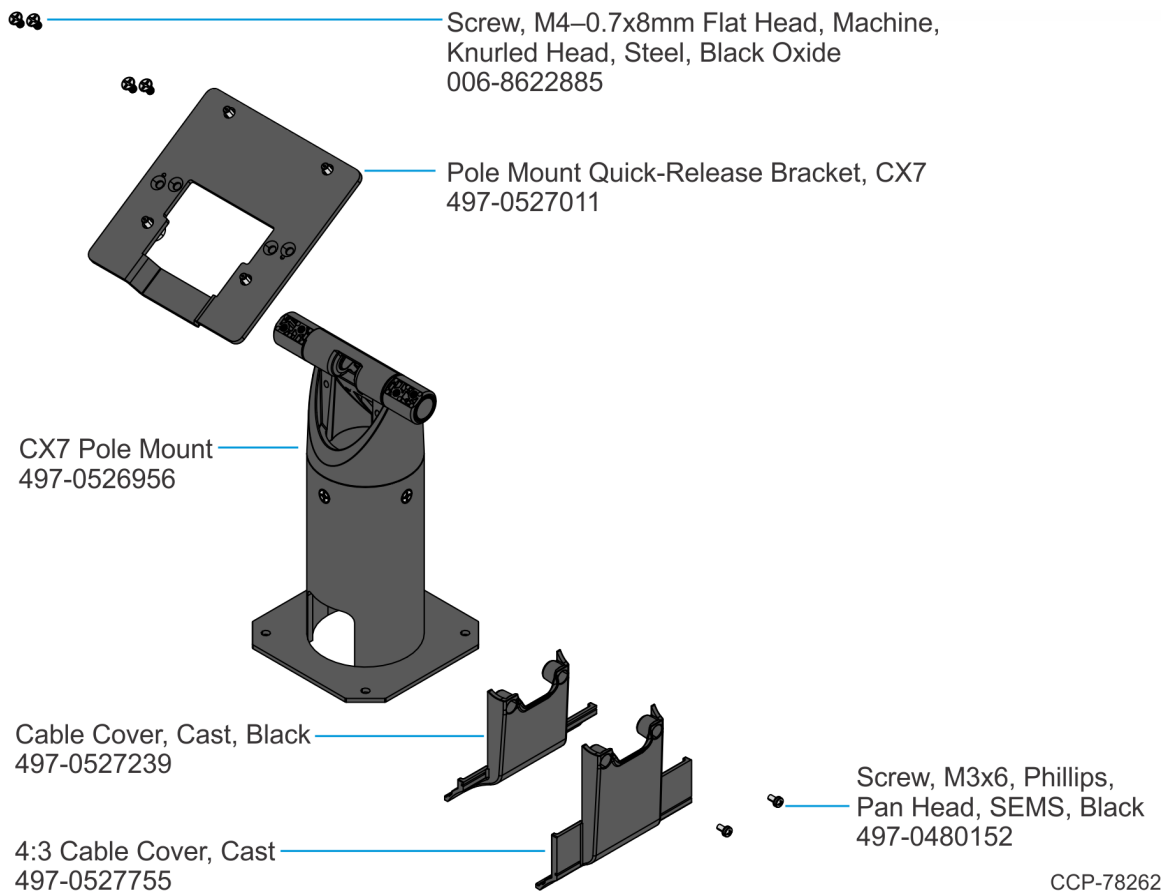
# Pole Mount

---

This kit provides a Pole Mount for the NCR CX7 All-in-One POS (7772) or NCR CX5 All-in-One POS (7773) with Remote I/O.

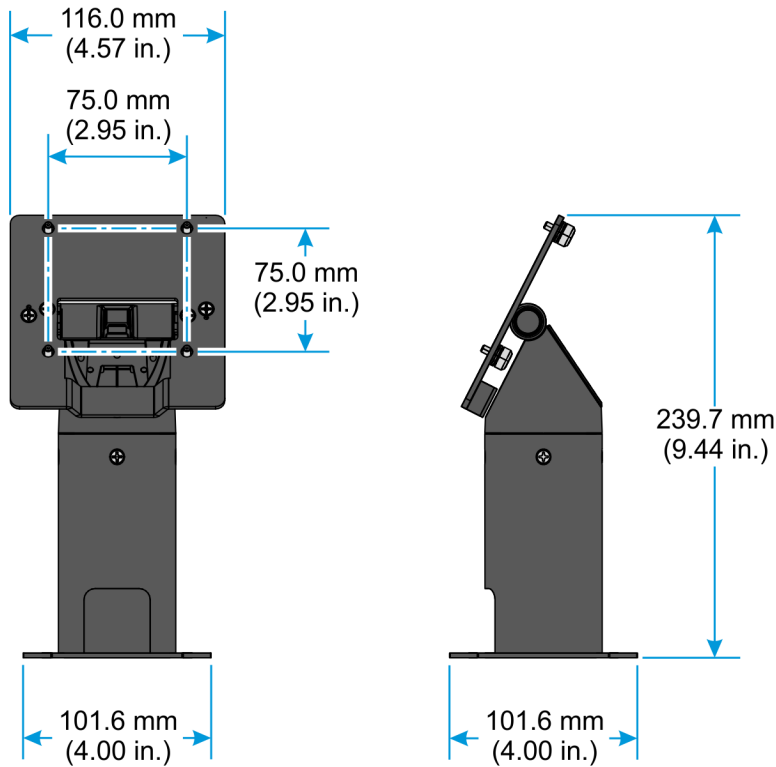
- ["Kit Contents"](#) below
- ["Dimensions"](#) on the next page
- ["Installation Procedure"](#) on the next page
  - ["With Quick-Release Bracket"](#) on page 7
  - ["Without Quick-Release Bracket"](#) on page 14

## Kit Contents



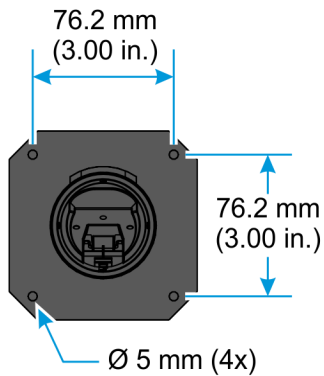
Confidential and proprietary information of NCR Voyix.  
Use and disclose solely pursuant to company instructions.

# Dimensions



CCP-79965

# Mounting Holes



CCP-82545

# Installation Procedure

The Quick-Release Bracket is an option to mount the Head. Another option is to mount the Head directly on the hinge of the Pole Mount and the Cable Covers will be used.

Confidential and proprietary information of NCR Voyix.  
Use and disclose solely pursuant to company instructions.

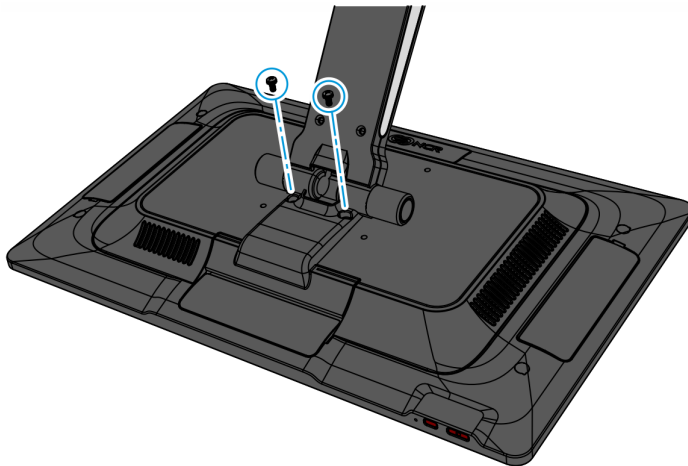
- ["With Quick-Release Bracket"](#) below
- ["Without Quick-Release Bracket"](#) on page 14

## With Quick-Release Bracket

### Warning

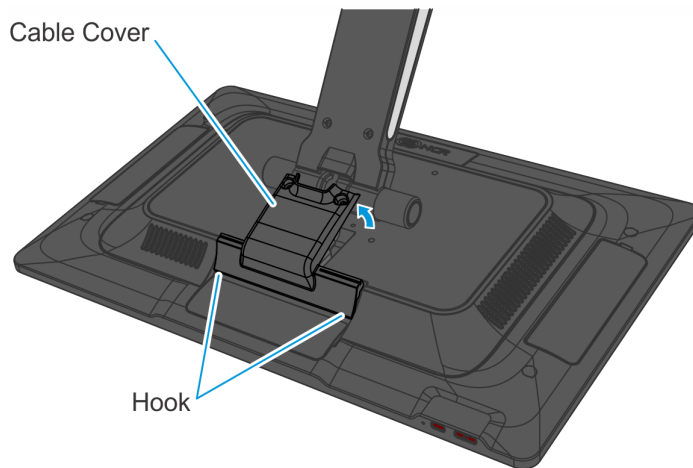
Disconnect the AC power cord from the AC outlet and wait 30 seconds before servicing the terminal.

1. Lay the Display face down on a flat surface.  
Always use a soft material (cloth, foam) to protect the display screen when placing the terminal face down.
2. Remove the Cable Cover.
  - a. Remove the two (2) screws that secure the Cable Cover to the Back Cover.



CCP-77013

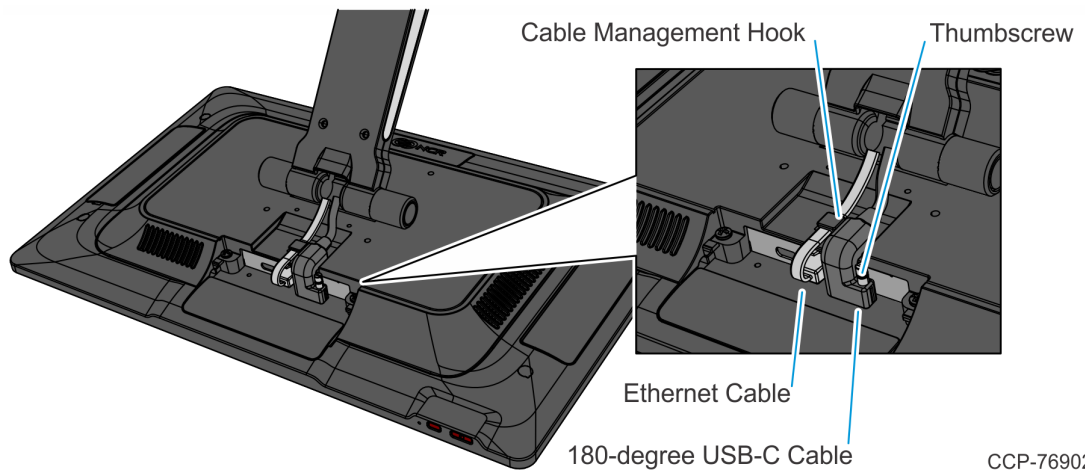
- b. Rotate and unhook the Cable Cover from the Back Cover.



CCP-77014

### 3. Disconnect the Cables.

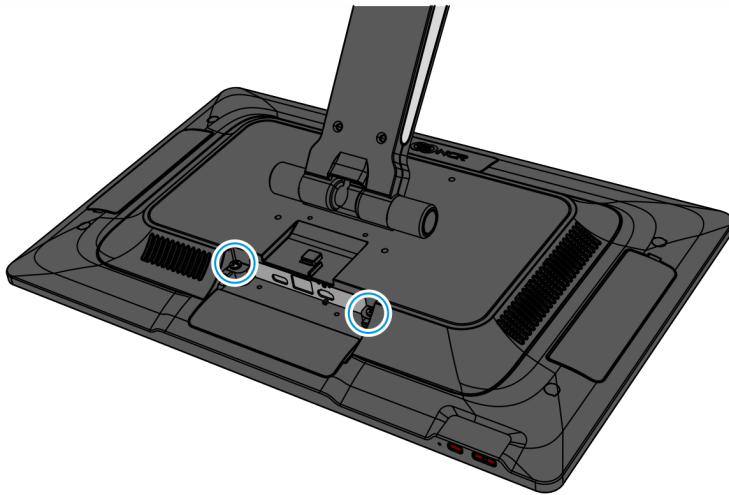
- a. Loosen the thumbscrew of the 180-degree USB-C Cable then disconnect the Cable.
- b. Remove the Ethernet Cable from the Cable Management Hook then disconnect the Cable.



CCP-76902

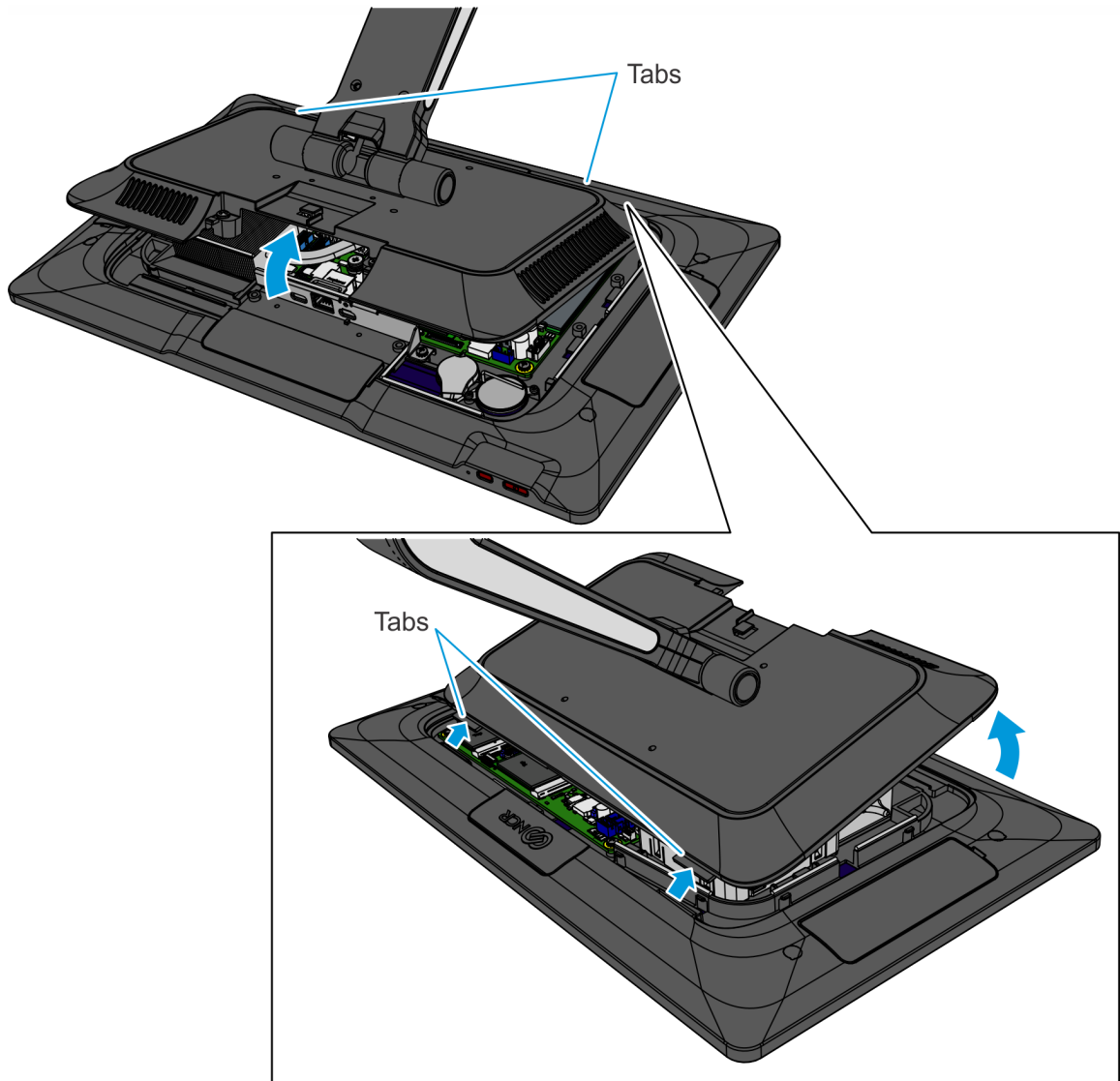


4. Loosen the two (2) captive screws that secure the Back Cover to the Display.



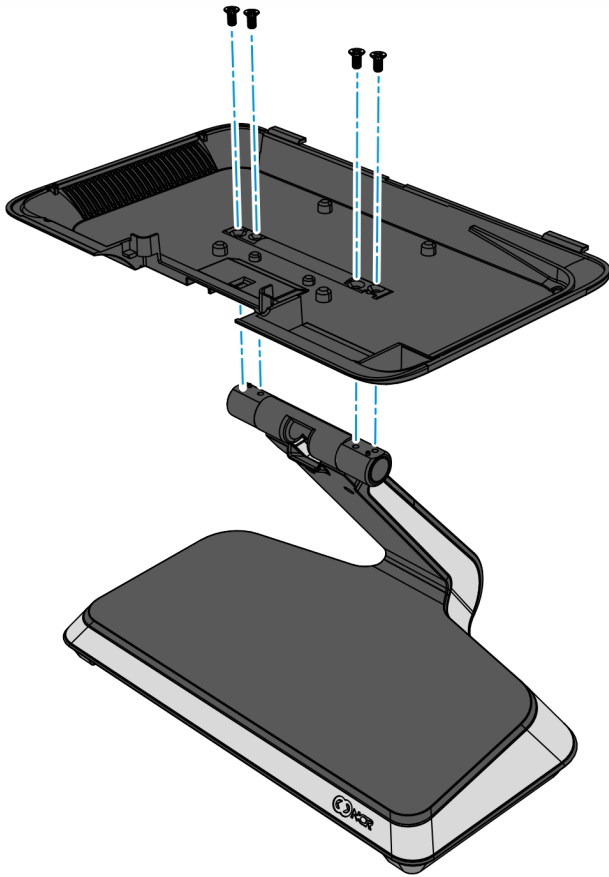
CCP-76903

5. Rotate the Back Cover away from the Display and unhook the Back Cover Tabs.



CCP-78836

6. Remove the four (4) screws securing the Display Back Cover to the hinge of the Base.

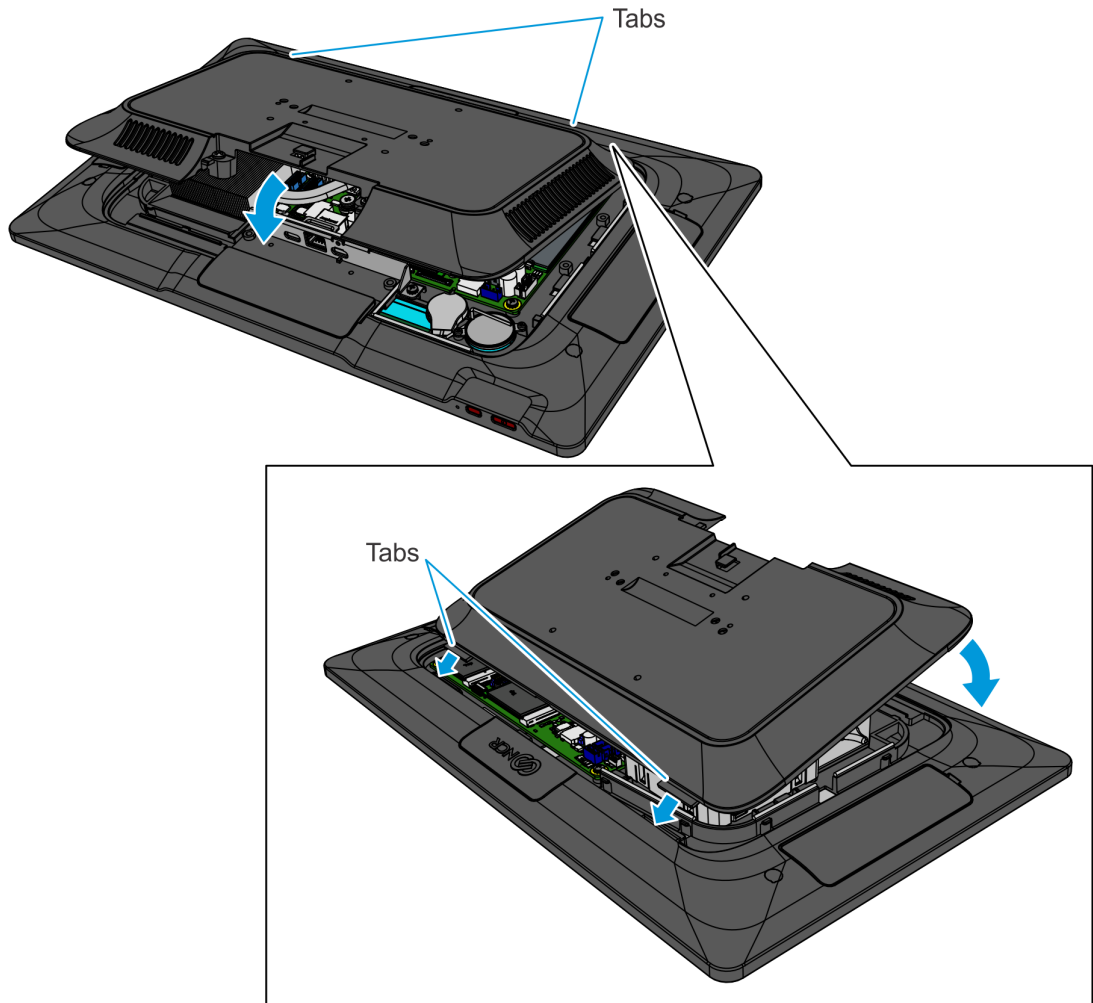


CCP-78226

Confidential and proprietary information of NCR Voyix.  
Use and disclose solely pursuant to company instructions.

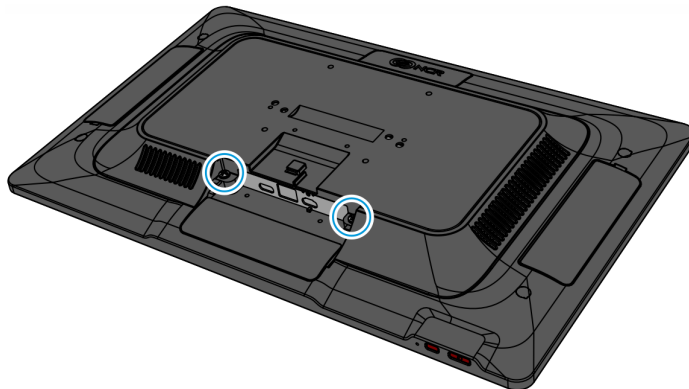
7. Install the Back Cover on the Display.

- a. Insert the Back Cover Tabs into the openings in the back of the Display, then rotate the Back Cover onto the Display.



CCP-78838

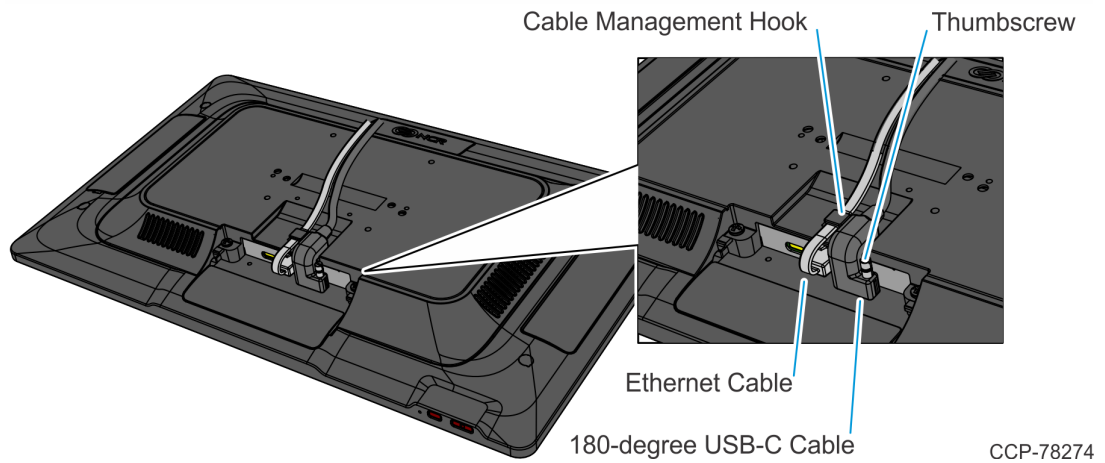
- b. Secure the Back Cover with two (2) captive screws.



CCP-78250

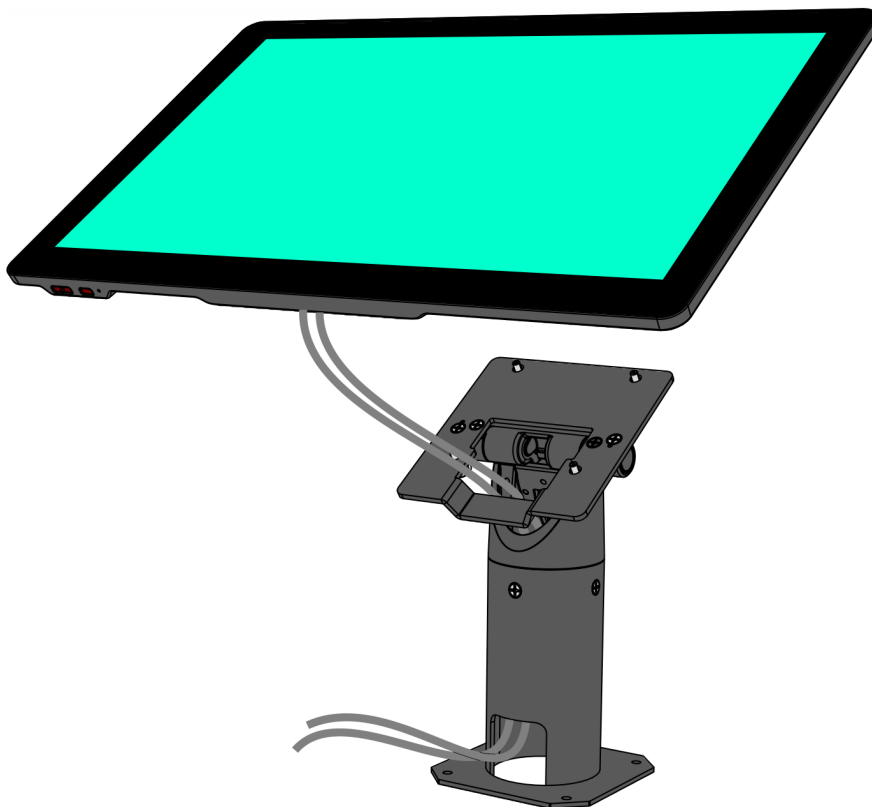
Confidential and proprietary information of NCR Voyix.  
Use and disclose solely pursuant to company instructions.

8. Connect the Cables on the back of the Display.
  - a. Connect the Ethernet Cable until latched and secure the cable under the Cable Management Hook.
  - b. Connect the 180-degree USB-C Cable and tighten the thumbscrew.



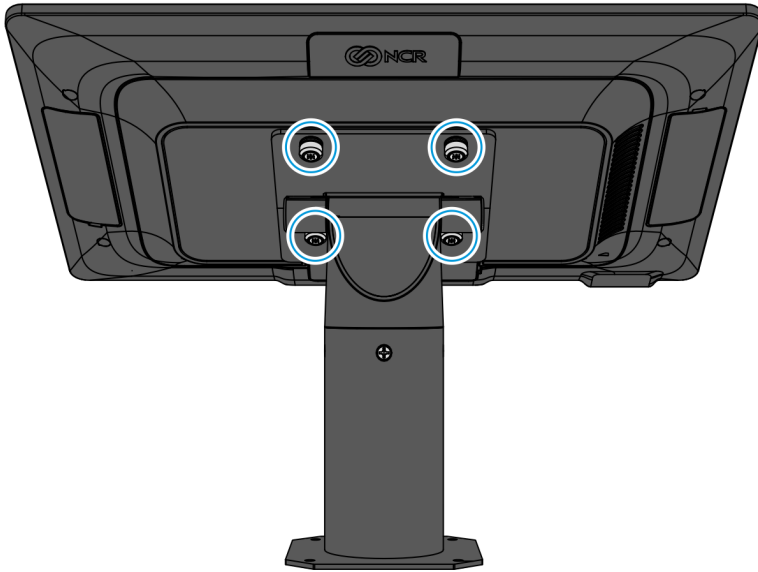
CCP-78274

9. Route the Cables through the Bracket and down the Pole.



CCP-78248

10. Install the Display on the Bracket (4 thumbscrews).



CCP-78245

## Without Quick-Release Bracket

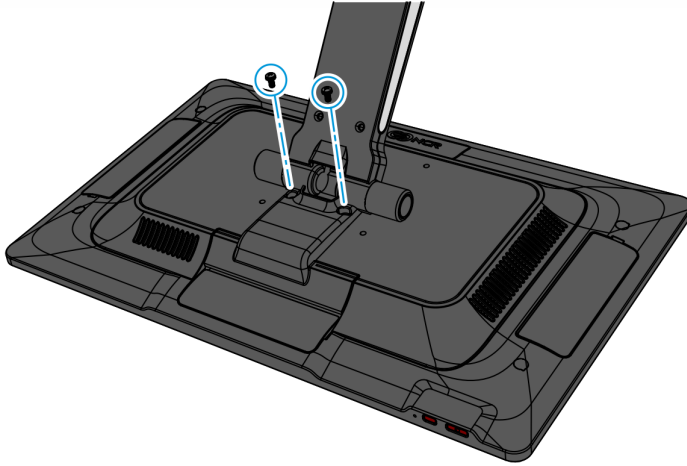
### **Warning**

Disconnect the AC power cord from the AC outlet and wait 30 seconds before servicing the terminal.

1. Lay the Display face down on a flat surface.  
Always use a soft material (cloth, foam) to protect the display screen when placing the terminal face down.

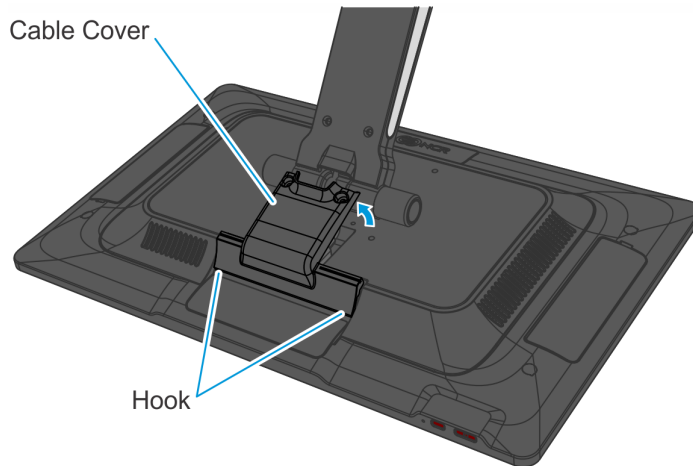
2. Remove the Cable Cover.

- a. Remove the two (2) screws that secure the Cable Cover to the Back Cover.



CCP-77013

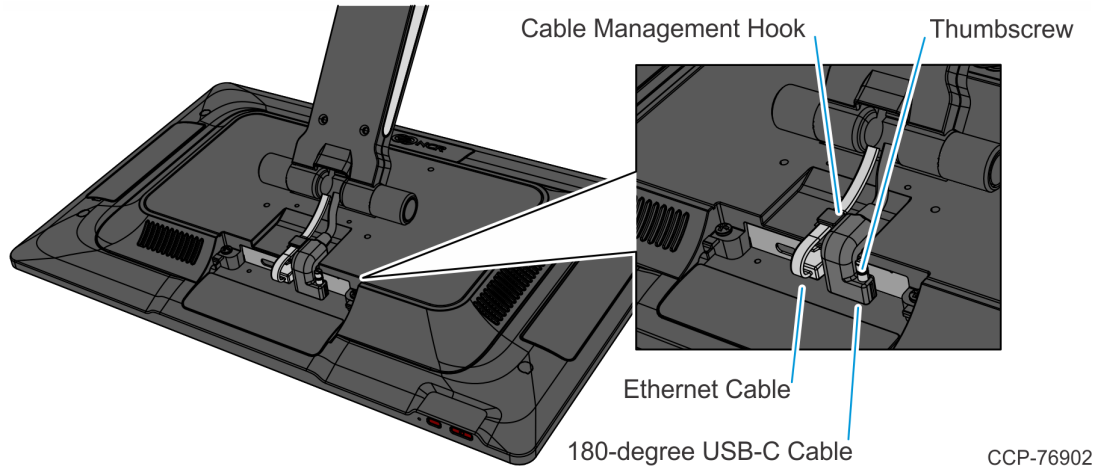
- b. Rotate and unhook the Cable Cover from the Back Cover.



CCP-77014

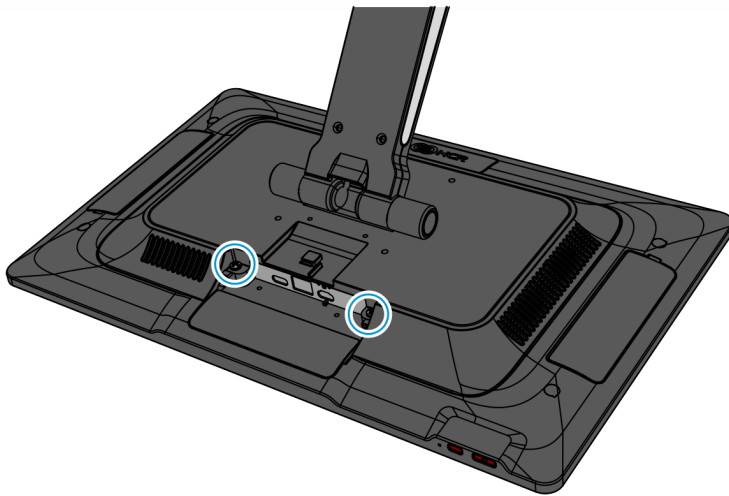
3. Disconnect the Cables.

- a. Loosen the thumbscrew of the 180-degree USB-C Cable then disconnect the Cable.
- b. Remove the Ethernet Cable from the Cable Management Hook then disconnect the Cable.



CCP-76902

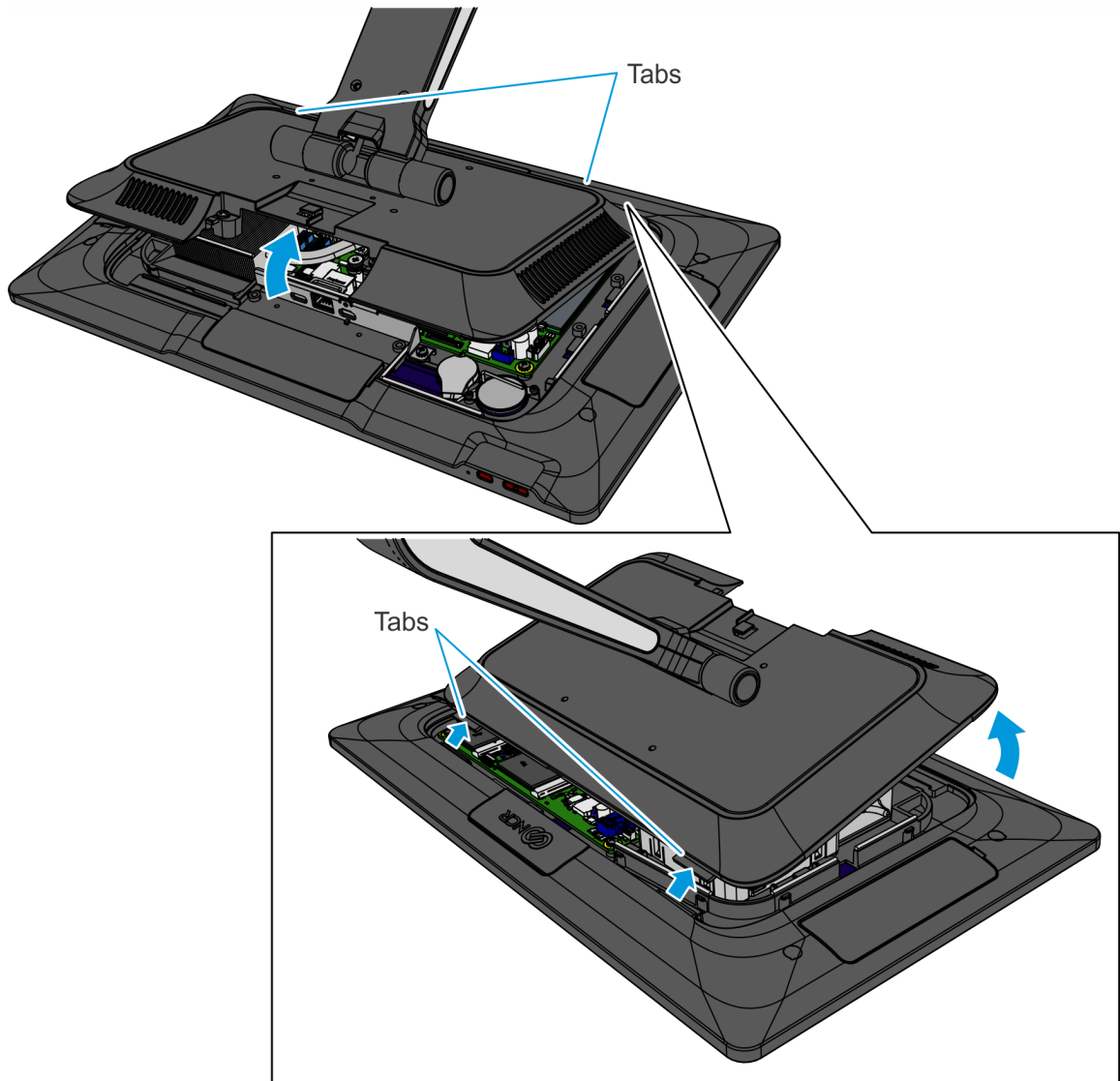
4. Loosen the two (2) captive screws that secure the Back Cover to the Display.



CCP-76903

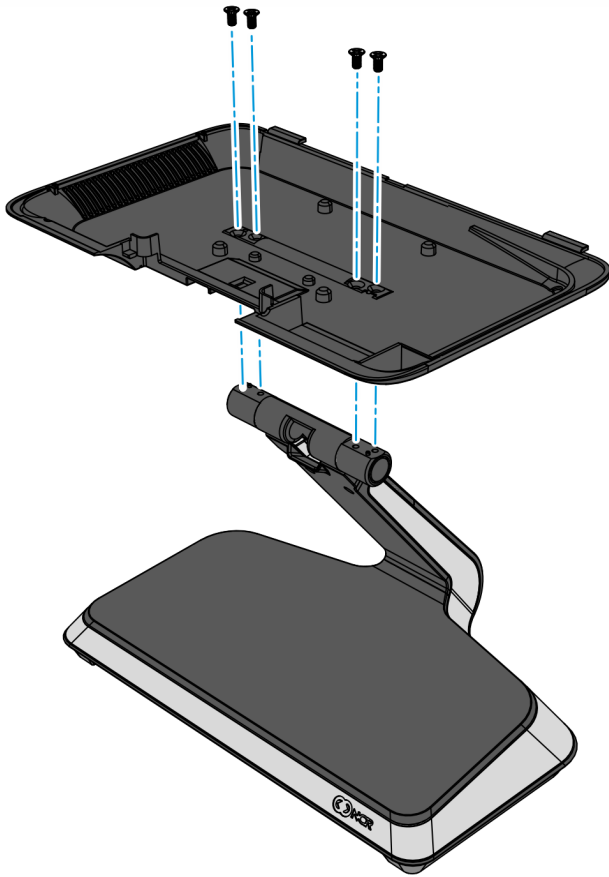


5. Rotate the Back Cover away from the Display and unhook the Back Cover Tabs.



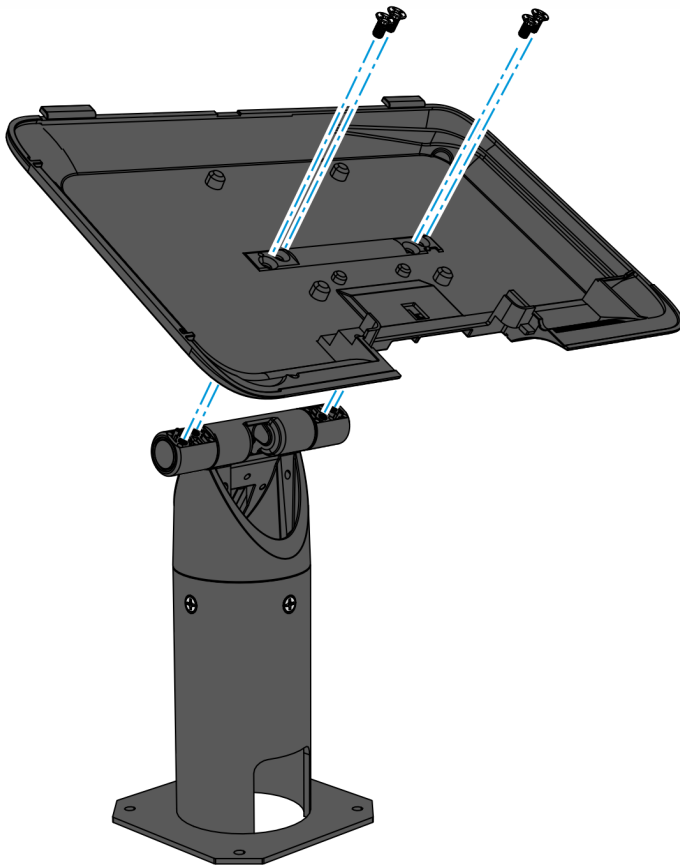
CCP-78836

6. Remove the four (4) screws securing the Display Back Cover to the hinge of the Base.



CCP-78226

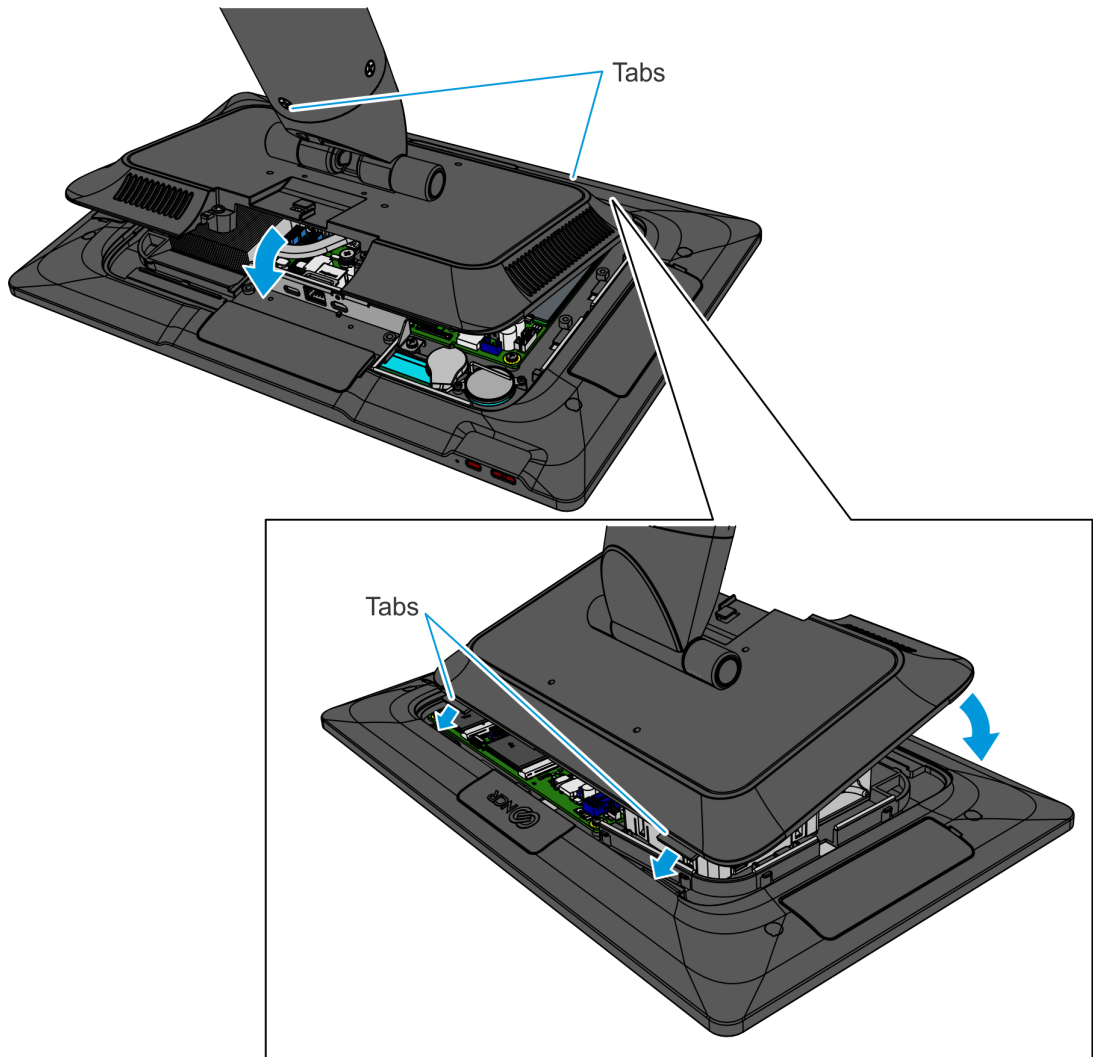
7. Install the Display Back Cover on the hinge of the Pole (4 screws).



CCP-78254

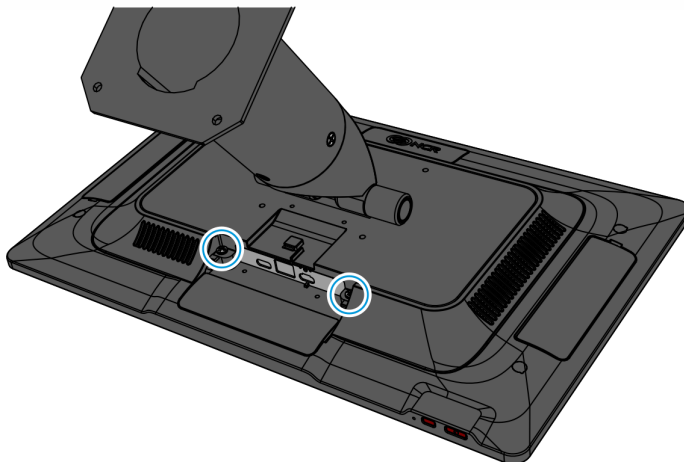
8. Install the Back Cover and Pole Assembly on the Display.

- a. Insert the Back Cover Tabs into the openings in the back of the Display, then rotate the Back Cover onto the Display.



CCP-78839

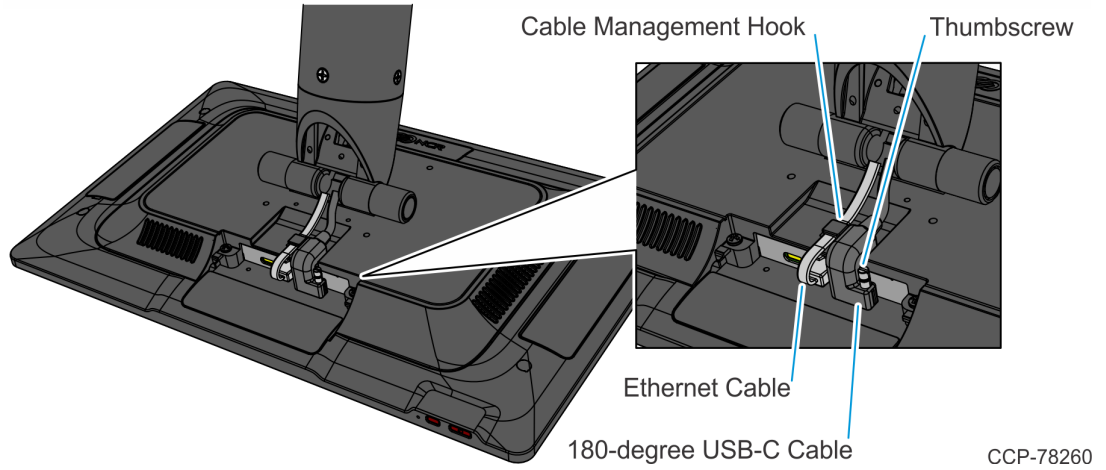
- b. Secure the Back Cover with two (2) captive screws.



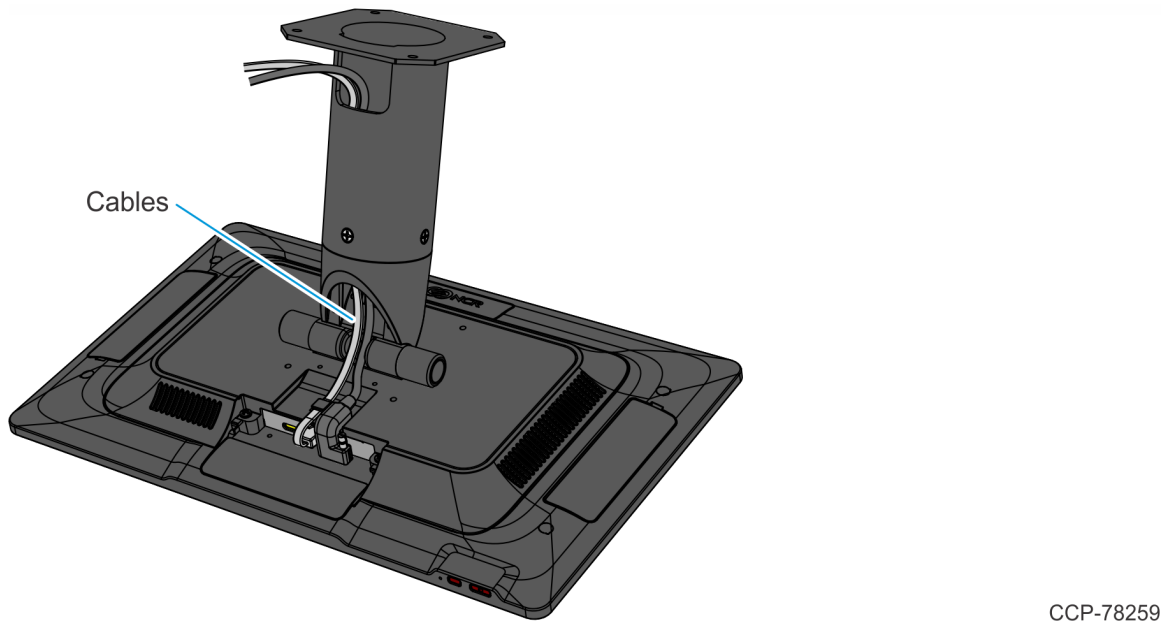
CCP-78251

Confidential and proprietary information of NCR Voyix.  
Use and disclose solely pursuant to company instructions.

9. Connect the Cables on the back of the Display.
  - a. Connect the Ethernet Cable until latched and secure the cable under the Cable Management Hook.
  - b. Connect the 180-degree USB-C Cable and tighten the thumbscrew.

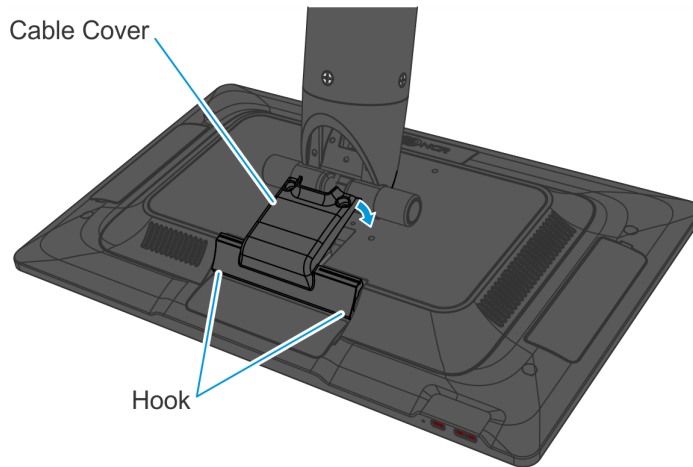


10. Route the Cables through the Pole.



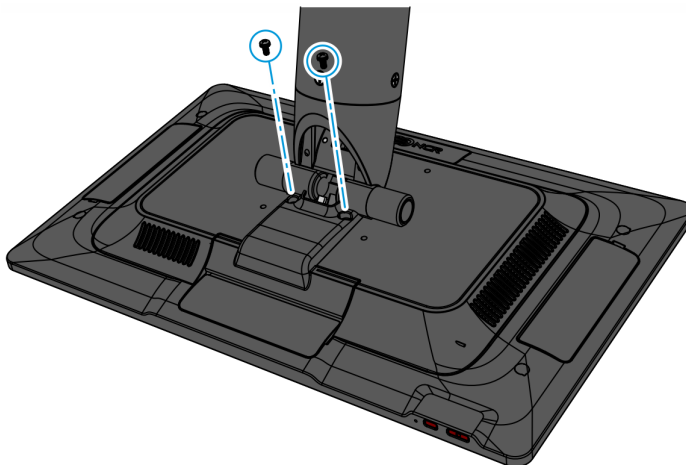
11. Install the Cable Cover.

- a. Hook the bottom of the Cable Cover to the Back Cover, then rotate the Cable Cover into place.



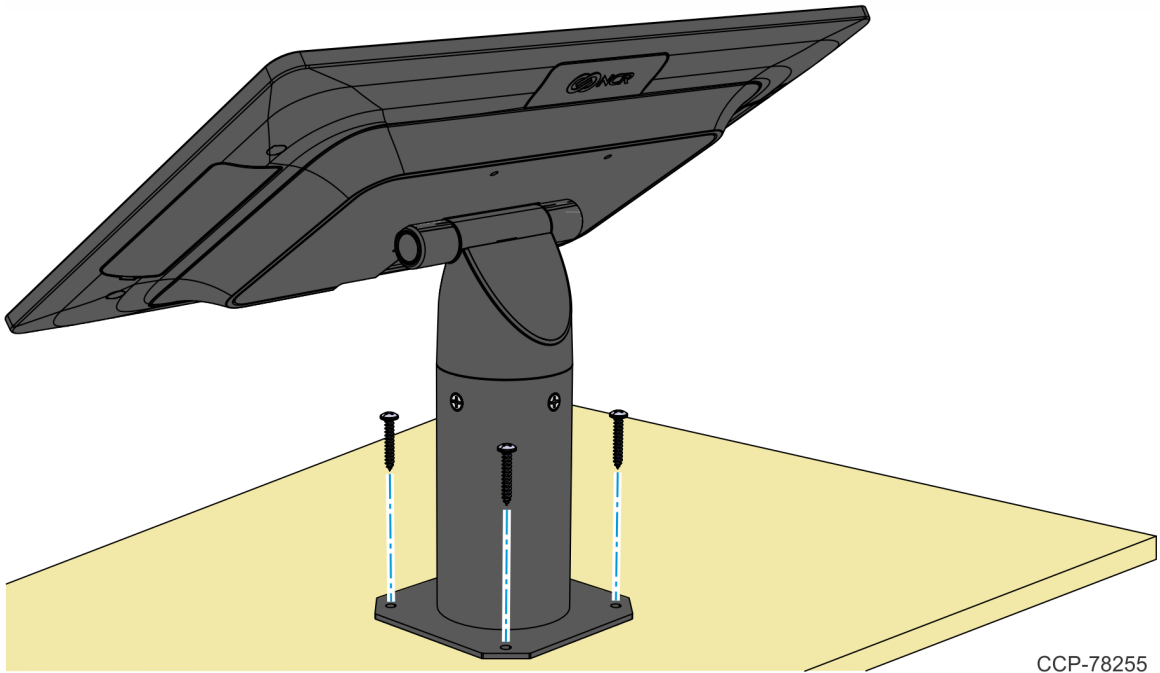
CCP-78258

- b. Secure the Cable Cover with two (2) screws.



CCP-78256

12. Install the Pole on the countertop using four (4) M4 wood screws (one on each corner).



CCP-78255