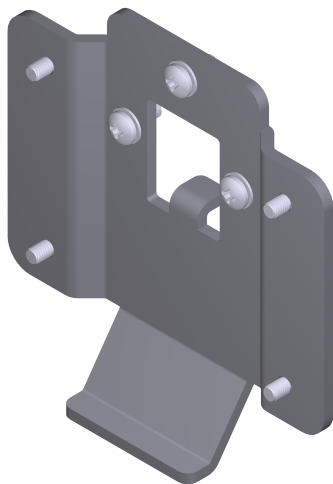




XL7 Pole Mount Bracket, 7772/7773

Kit Instructions



7772-K401

Issue A

Copyright

The product described in this document is a licensed product of NCR Voyix Corporation.

NCR CX7 All-in-One POS (7772) is a trademark of NCR Voyix Corporation in the United States and/or other countries. Other product names mentioned in this publication may be trademarks or registered trademarks of their respective companies and are hereby acknowledged.

Where creation of derivative works, modifications or copies of this NCR Voyix copyrighted documentation is permitted under the terms and conditions of an agreement you have with NCR Voyix, NCR Voyix's copyright notice must be included.

It is the policy of NCR Voyix Corporation to improve products as new technology, components, software, and firmware become available. NCR Voyix, therefore, reserves the right to change specifications without prior notice.

All features, functions, and operations described herein may not be marketed by NCR Voyix in all parts of the world. In some instances, photographs are of equipment prototypes. Therefore, before using this document, consult with your NCR Voyix representative or NCR Voyix office for information that is applicable and current.

Copyright © 2020–2024
By NCR Voyix Corporation
Atlanta, Georgia, USA
All Rights Reserved

Table of Contents

Copyright	2
XL7 Pole Mount Bracket, 7772/7773	5
Kit Contents	5
Installation Procedure	5

Revision Record

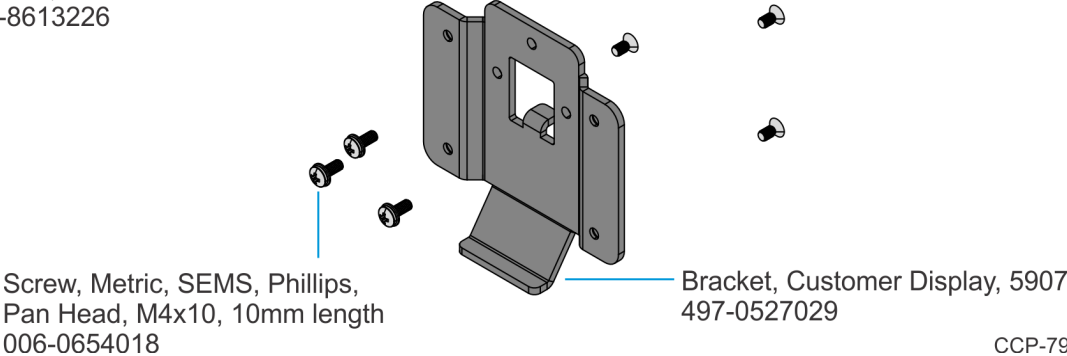
Issue	Date	Remarks
A	Aug 2020	First Issue

XL7 Pole Mount Bracket, 7772/7773

This kit provides a Bracket to mount the XL7 Display on the CX7/CX5 Pole Mount.

Kit Contents

Screw, Metric, Flat Head, Phillips, Machine Screw, Zinc-Plated Steel, M4 Size, 8mm
006-8613226



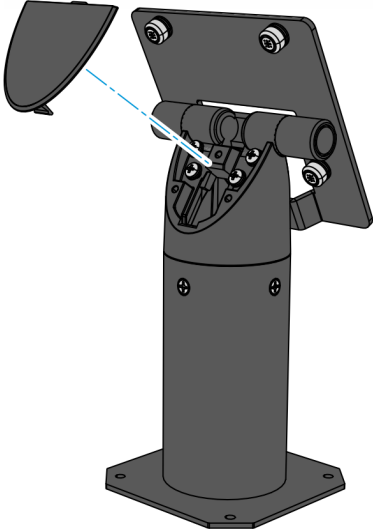
Screw, Metric, SEMS, Phillips, Pan Head, M4x10, 10mm length
006-0654018

Bracket, Customer Display, 5907
497-0527029

CCP-79527

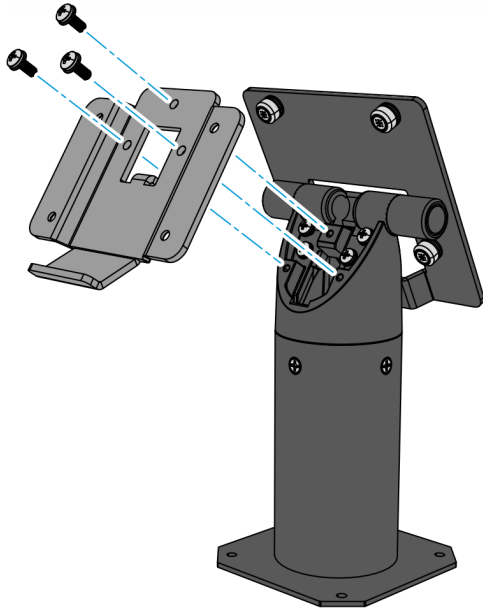
Installation Procedure

1. Remove the Cap from the Pole Mount.



CCP-79541

2. Install the Customer Display Bracket on the Pole Mount (3 screws).

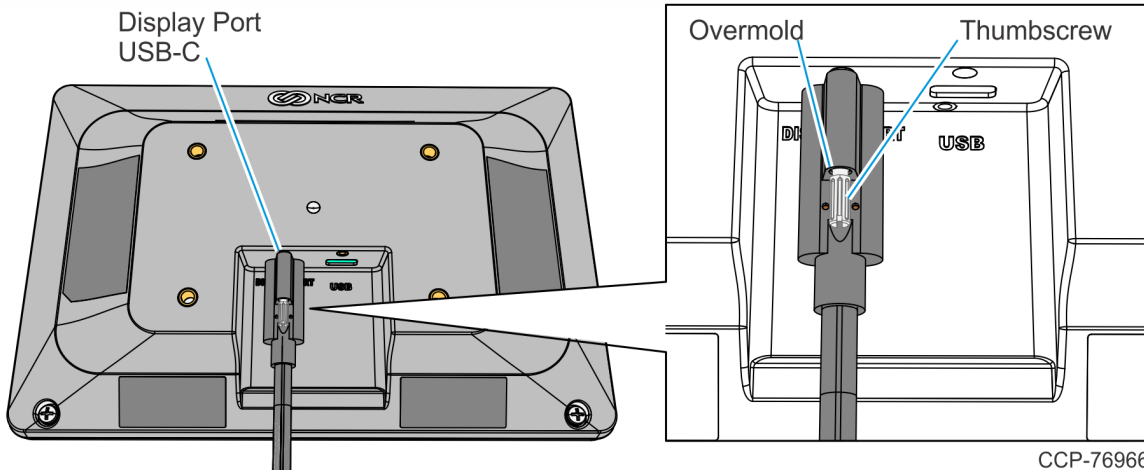


CCP-79542

3. Connect the Cable to the XL7 Customer Display. Tighten the thumbscrew.

Note

Avoid overtightening the thumbscrew by turning it only until the silver knurled portion touches the black plastic overmold. Overtightening the thumbscrew damages the connector on the board.

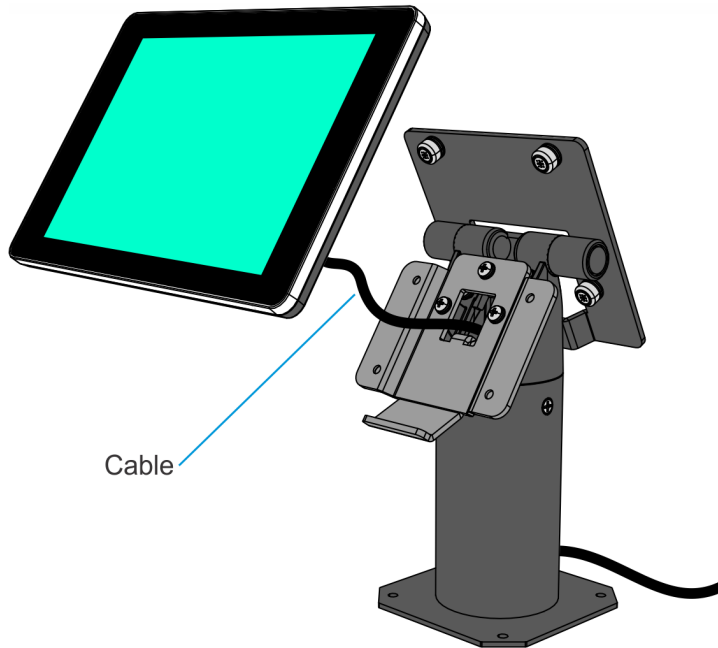


CCP-76966

4. Route the XL7 Display Cable through the Customer Display Bracket and down the Pole.

Note

If there's a hole in the countertop, the cables can be routed through the counter as well.

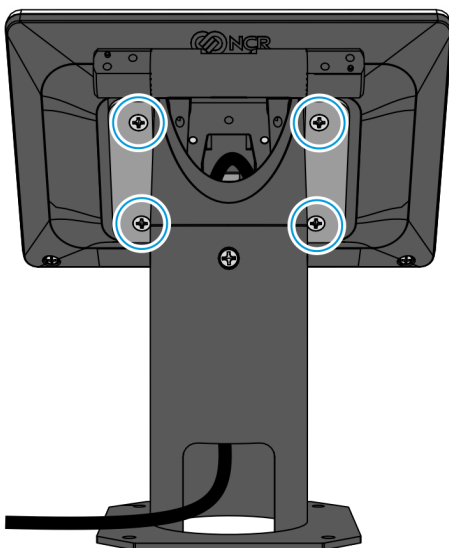


CCP-79543

5. Install the Display on the Customer Display Bracket (4 screws).

Note

For clarity, the pole mount bracket is not shown in the illustration.



CCP-79544