



# Double Byte Customer Display, CX

## Kit Instructions

---



7772-K462

Issue B

# Copyright

---

The product described in this document is a licensed product of NCR Voyix Corporation.

NCR CX7 All-in-One POS (7772) is a trademark of NCR Voyix Corporation in the United States and/or other countries. Other product names mentioned in this publication may be trademarks or registered trademarks of their respective companies and are hereby acknowledged.

Where creation of derivative works, modifications or copies of this NCR Voyix copyrighted documentation is permitted under the terms and conditions of an agreement you have with NCR Voyix, NCR Voyix's copyright notice must be included.

It is the policy of NCR Voyix Corporation to improve products as new technology, components, software, and firmware become available. NCR Voyix, therefore, reserves the right to change specifications without prior notice.

All features, functions, and operations described herein may not be marketed by NCR Voyix in all parts of the world. In some instances, photographs are of equipment prototypes. Therefore, before using this document, consult with your NCR Voyix representative or NCR Voyix office for information that is applicable and current.

Copyright © 2021–2024  
By NCR Voyix Corporation  
Atlanta, Georgia, USA  
All Rights Reserved

# Table of Contents

---

---

<b>Copyright</b> .....	<b>2</b>
<b>Double Byte Customer Display, CX</b> .....	<b>5</b>
Kit Contents .....	5
Installation Procedure .....	6

# Revision Record

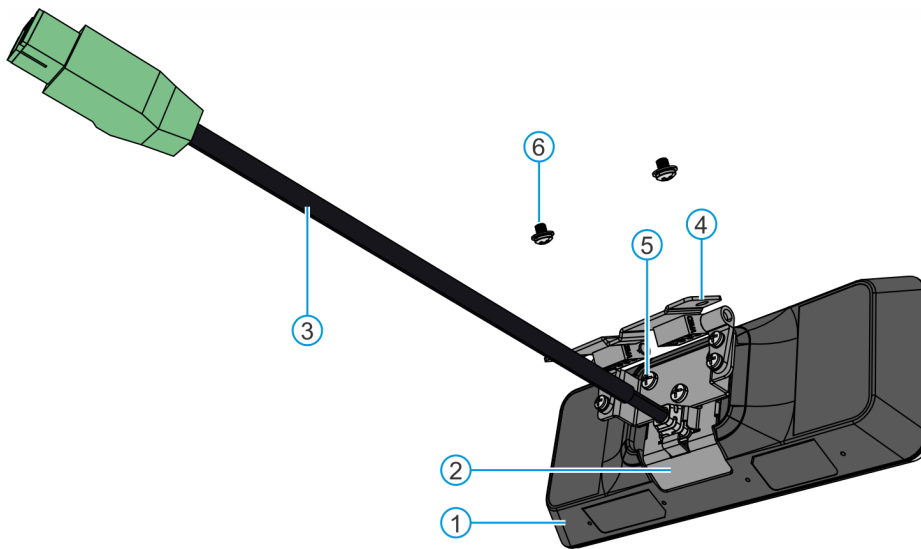
---

Issue	Date	Remarks
A	Jun 2021	First Issue
B	Dec 2021	Removed K461 2x20 Customer Display Added Warning statement

# Double Byte Customer Display, CX

This kit provides a Double Byte Customer Display for the NCR CX7 All-in-One POS (7772) or NCR CX5 All-in-One POS (7773).

## Kit Contents



CCP-80955

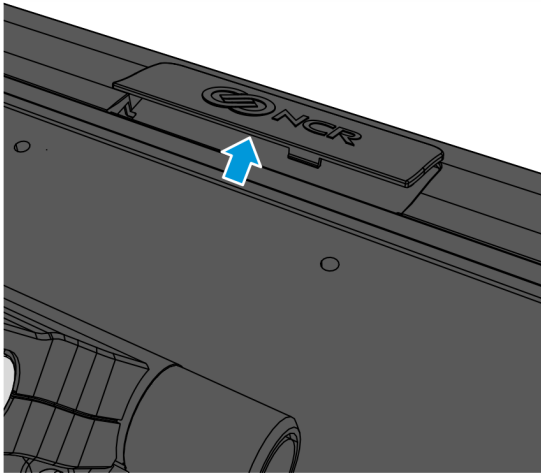
Item	Part Number	Description
1	497-0515577	Double Byte Customer Display Assembly
2	445-0744459	Cable Management Bracket, 2x20
3	497-0514185	Cable, +12V USB+Power to 5977 Hirose Connector, 0.45m
4	497-0530977	2x20 Bracket Assembly, CX Head
5	006-8615964	Screw, M4x8 Machine, Phillips, Pan Head, Steel, Black
6	006-8627438	Screw, M4x5 SEMS, Phillips, Pan Head, Black

# Installation Procedure

## Warning

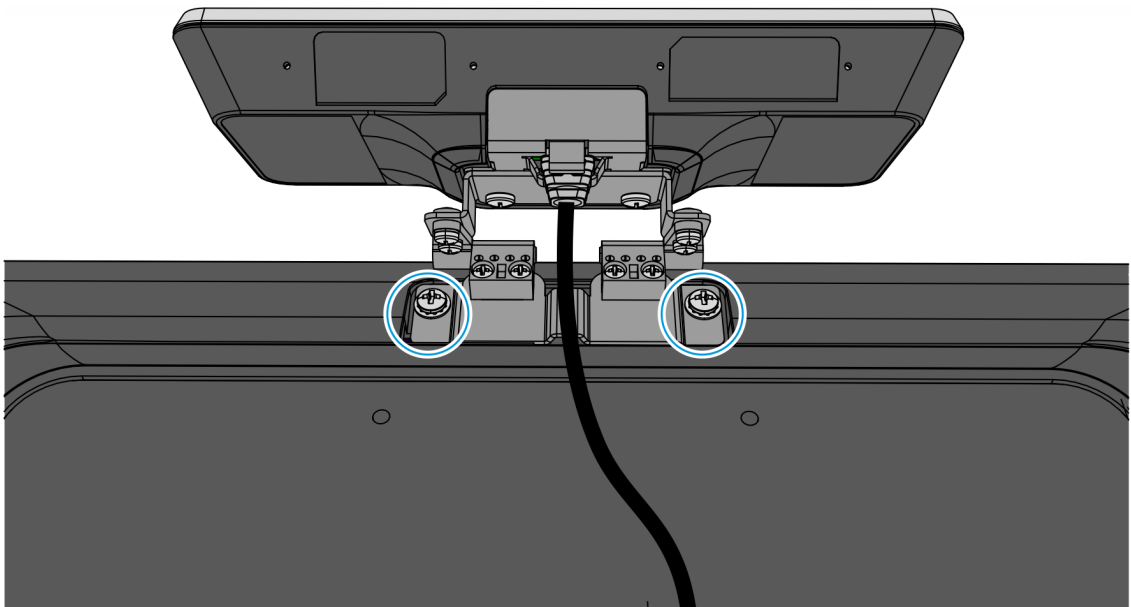
Disconnect the AC power cord from the AC outlet and wait 30 seconds before servicing the terminal.

1. Lift the bottom of the Plate (Logo Badge) to unsnap it from the display housing.



CCP-80977

2. Install the Customer Display and Hinge Assembly on the display housing (2 screws).

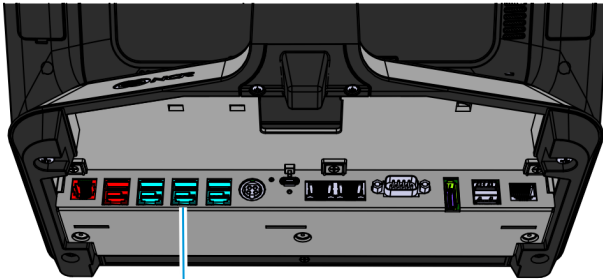


CCP-80975

Confidential and proprietary information of NCR Voyix.  
Use and disclose solely pursuant to company instructions.

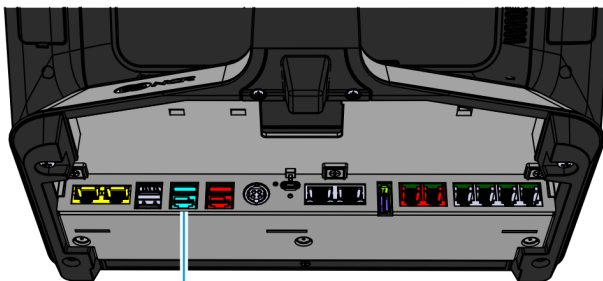
3. Connect the Customer Display Cable to the Powered USB 12V connector on the I/O. The USB Centric I/O has three (3) Powered USB 12V ports. Connect the Customer Display Cable to the middle port as indicated below.

**USB CENTRIC I/O (RETAIL)**



Powered USB 12V

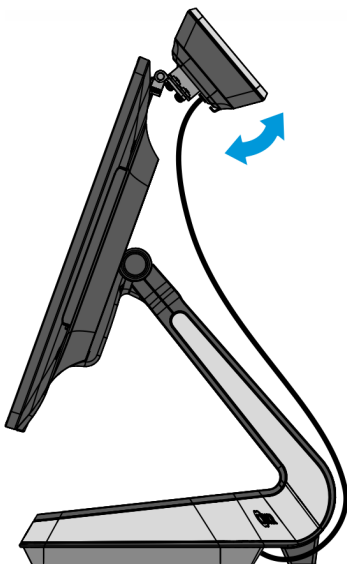
**SERIAL CENTRIC I/O (HOSPITALITY)**



Powered USB 12V

CCP-80976

4. Pivot the Customer Display into position.



CCP-80954

Confidential and proprietary information of NCR Voyix.  
Use and disclose solely pursuant to company instructions.