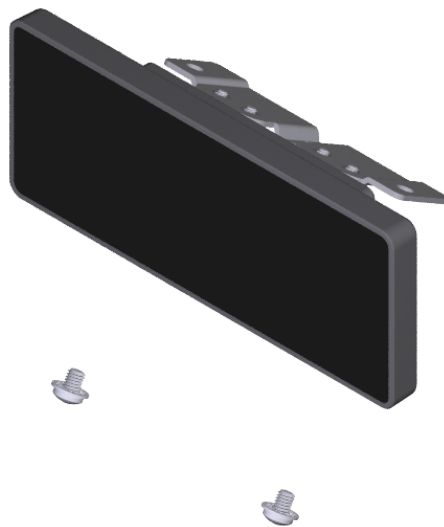


# Kit Instructions

APA (All Points Addressable) Graphical Display



7773-K451  
Issue B



---

The product described in this document is a licensed product of NCR Corporation.

NCR is a registered trademark of NCR Corporation. Product names mentioned in this publication may be trademarks or registered trademarks of their respective companies and are hereby acknowledged.

Where creation of derivative works, modifications or copies of this NCR copyrighted documentation is permitted under the terms and conditions of an agreement you have with NCR, NCR's copyright notice must be included.

It is the policy of NCR Corporation (NCR) to improve products as new technology, components, software, and firmware become available. NCR, therefore, reserves the right to change specifications without prior notice.

All features, functions, and operations described herein may not be marketed by NCR in all parts of the world. In some instances, photographs are of equipment prototypes. Therefore, before using this document, consult with your NCR representative or NCR office for information that is applicable and current.

Copyright © 2021  
By NCR Corporation  
Global Headquarters  
864 Spring St NW  
Atlanta, GA 30308  
U.S.A.  
All Rights Reserved

## Revision Record

Issue	Date	Remarks
A	Aug 2021	First Issue
B	Dec 2021	Added Warning statement

---

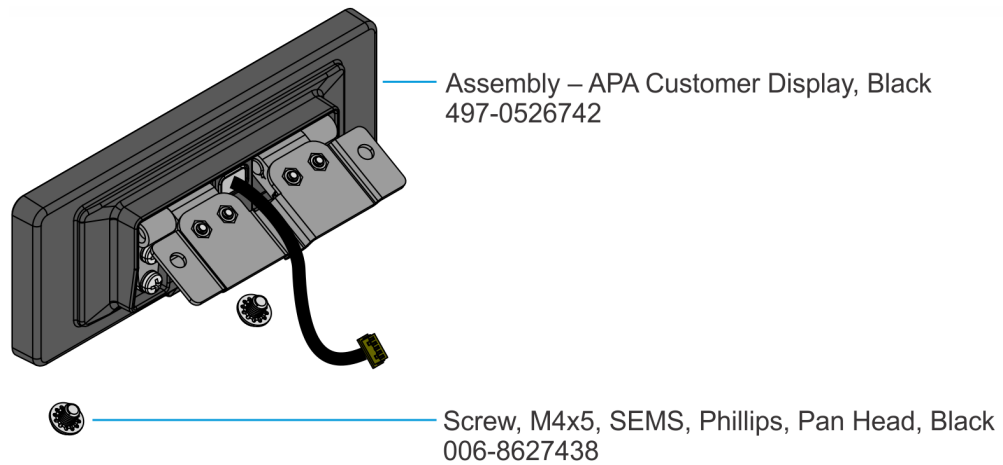
# APA (All Points Addressable) Graphical Display

---

This kit provides an APA (All Points Addressable) Graphical Display for the following POS:


- NCR CX5 All-in-One POS (7773)
- NCR CX7 All-in-One POS (7772)

## Kit Contents



CCP-77840

# Installation Procedure

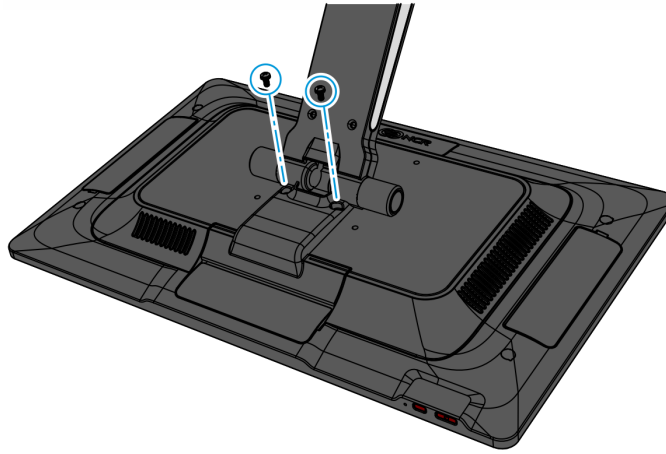
 **Warning:** Disconnect the AC power cord from the AC outlet and wait 30 seconds before servicing the terminal.

1. Lay the Display face down on a flat surface.



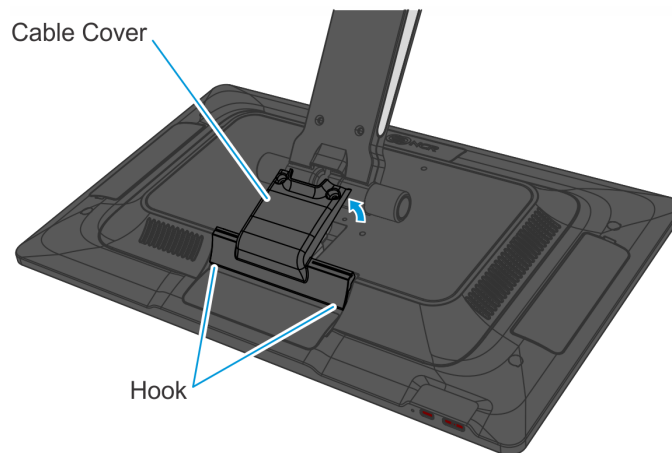
**Note:** Always use a soft material (cloth, foam) to protect the display screen when placing the terminal face down.

2. Remove the Cable Cover.
  - a. Remove the two (2) screws that secure the Cable Cover to the Back Cover.



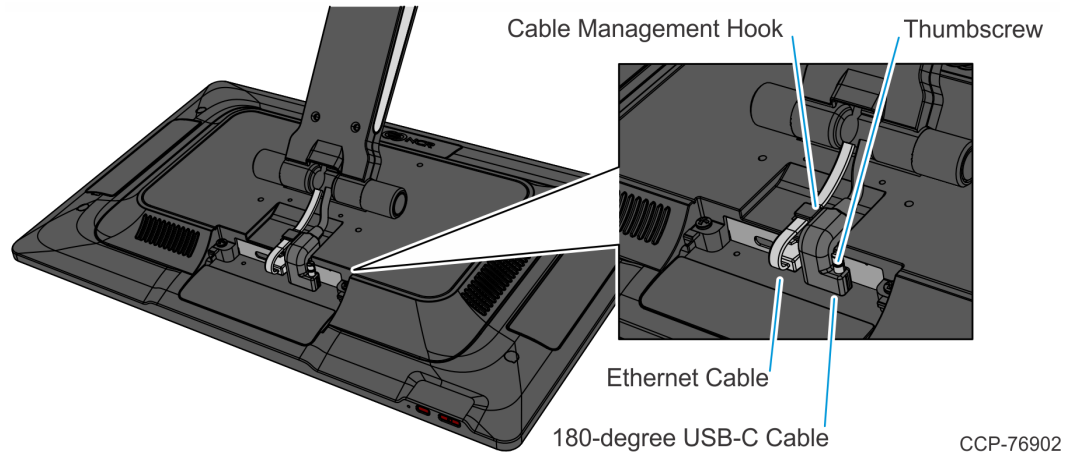
CCP-77013

- b. Rotate and unhook the Cable Cover from the Back Cover.

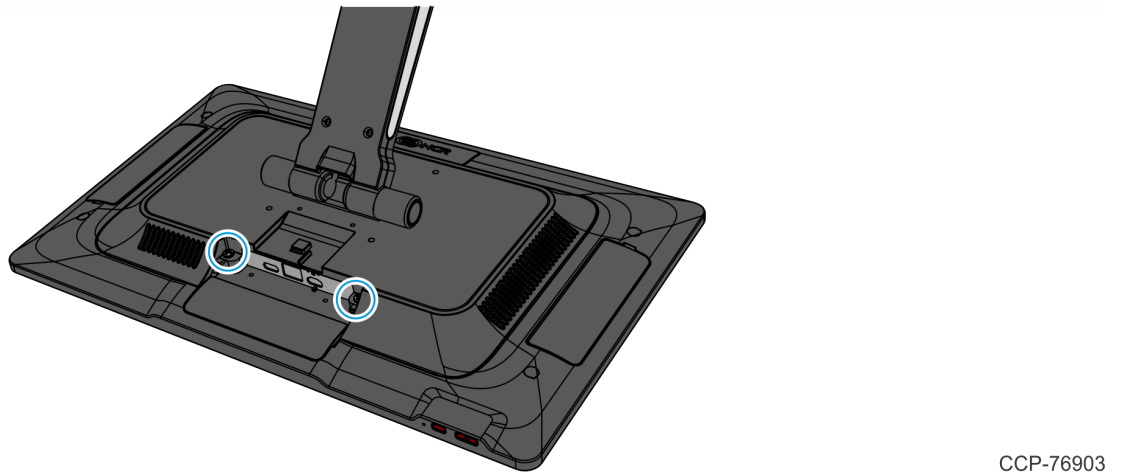


CCP-77014

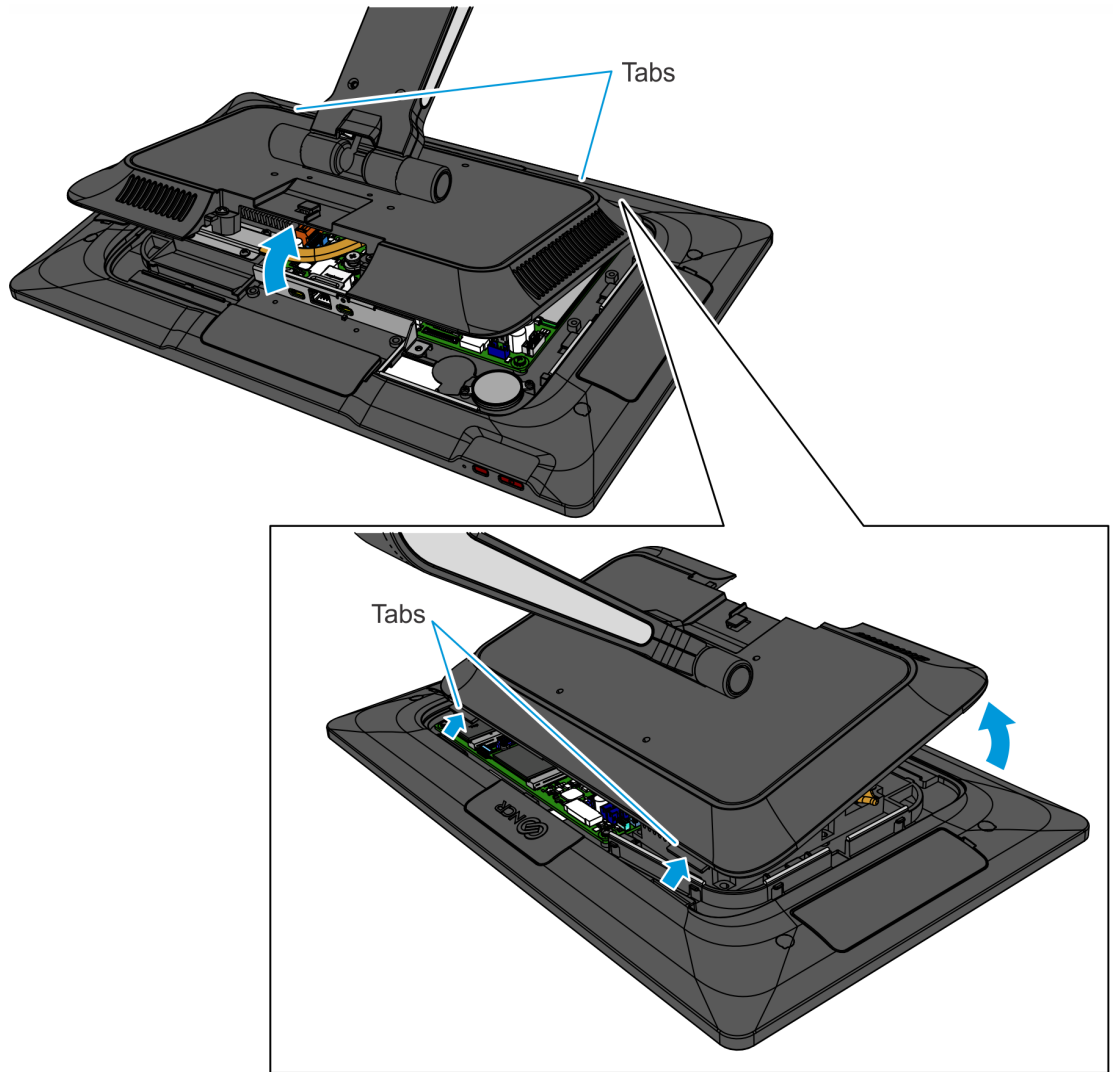
3. Disconnect the Cables.
  - a. Loosen the thumbscrew of the 180-degree USB-C Cable then disconnect the Cable.
  - b. Remove the Ethernet Cable from the Cable Management Hook then disconnect the Cable.



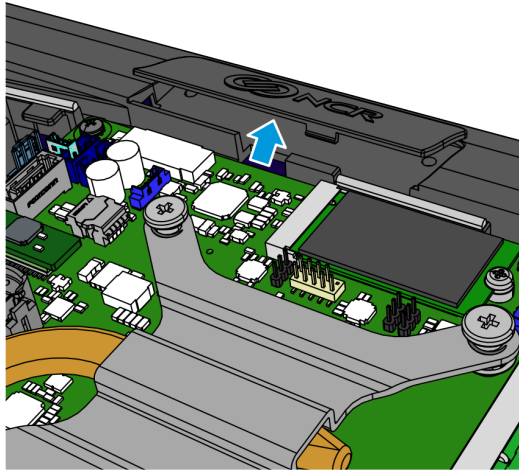
4. Loosen the two (2) captive screws that secure the Back Cover to the Display.



5. Rotate the Back Cover away from the Display and unhook the Back Cover Tabs.

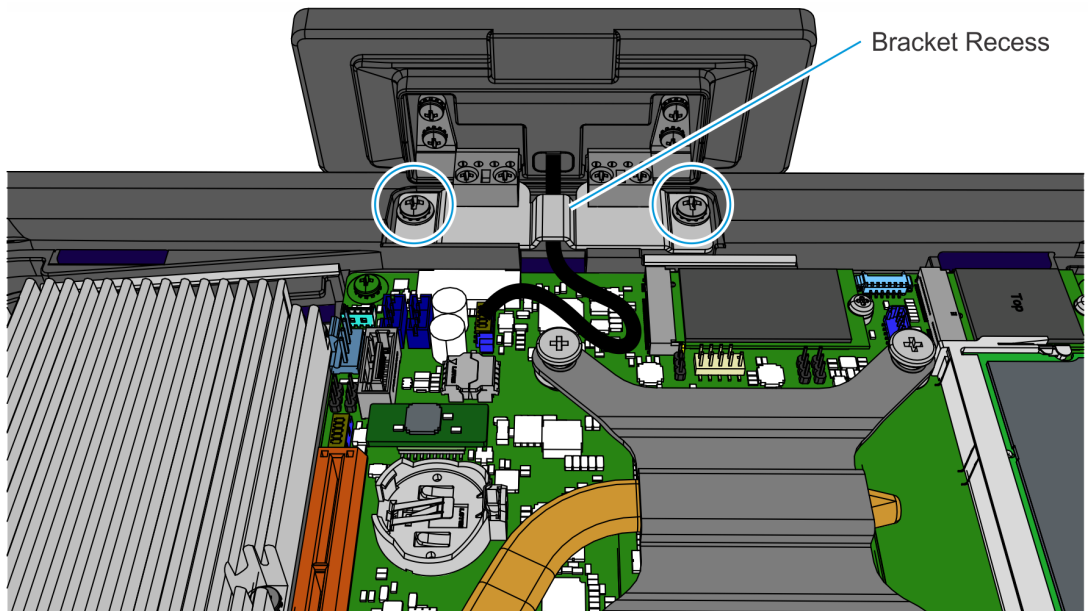


6. Lift the bottom of the Plate (Logo Badge) to unsnap it from the display housing.



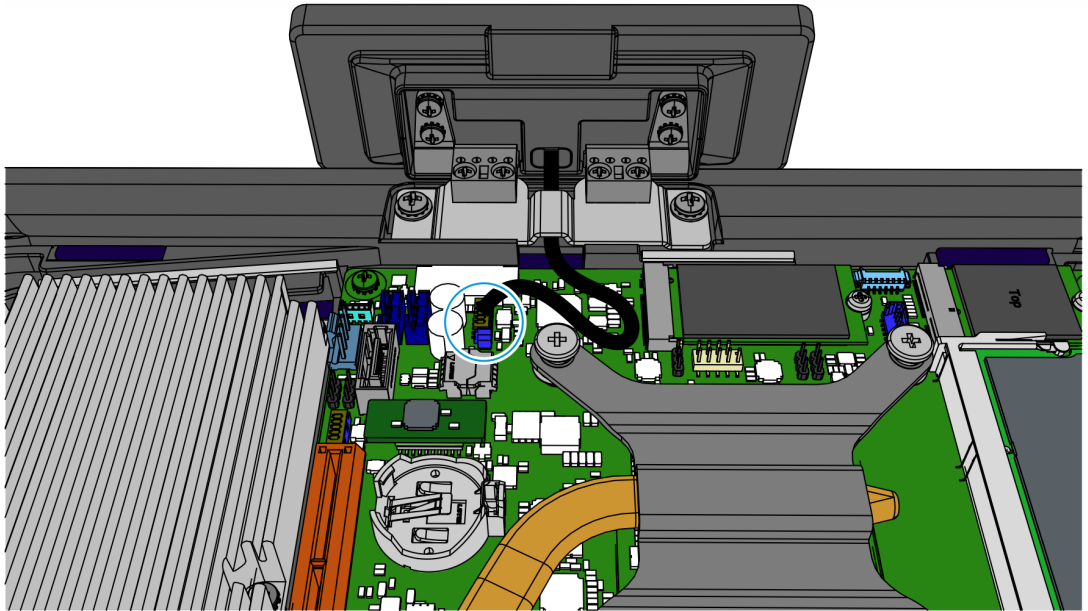
CCP-77088

7. Route the Cable through the Bracket recess and install the Bracket on the display housing (2 screws).



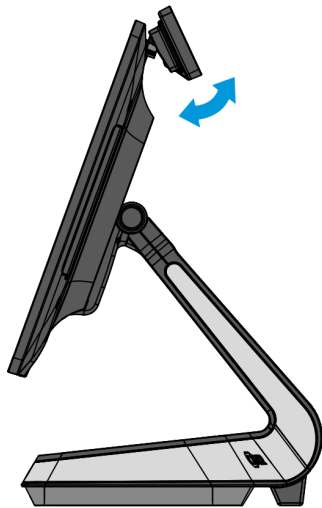
CCP-77815

8. Connect the APA Graphical Display Cable to the Motherboard.



CCP-77814

9. Reinstall the Display Back Cover.
10. Reconnect the 180-degree USB-C Cable and Ethernet Cable.
11. Reinstall the Cable Cover.
12. Pivot the APA Graphical Display into position.



CCP-77816